

## Excellent Integrated System Limited

Stocking Distributor

Click to view price, real time Inventory, Delivery & Lifecycle Information:

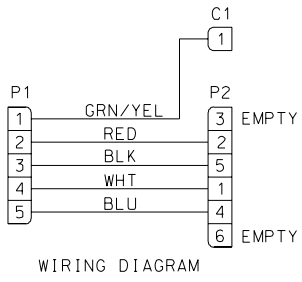
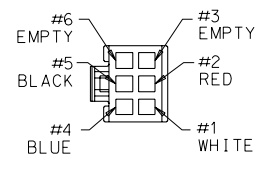
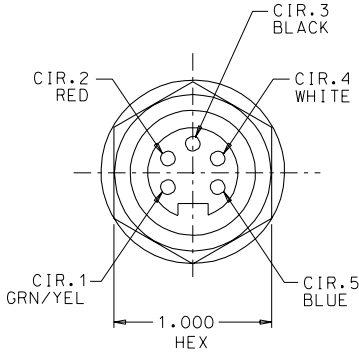
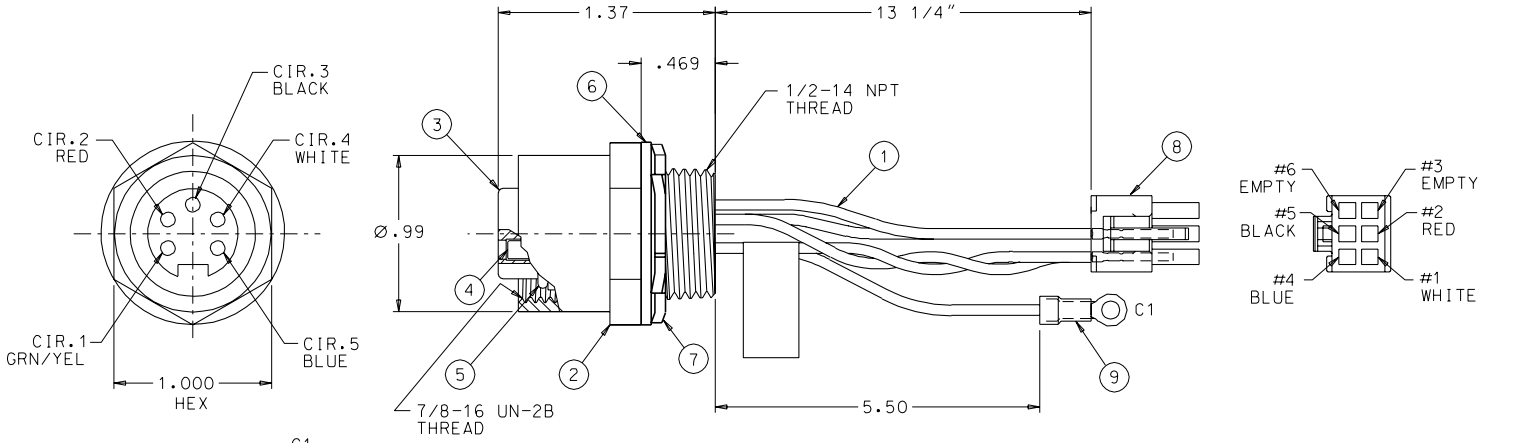
[Molex Connector Corporation](#)  
[0849150076](#)

For any questions, you can email us directly:

[sales@integrated-circuit.com](mailto:sales@integrated-circuit.com)

MOLEX PART NO.	MILCER ELECTRIC PART NO.
849150076	198 956

REV	DATE	ECN NO.	APPVD BY	REL BY
A	3-6-00	UM2000-0466 PRD. REL.	FVM	
B	2-9-01	UM2001-0241		



ITEM	QTY	DESCRIPTION	MATERIAL/FINISH
9	1	TERMINAL, RING TONGUE, #10 STUD	PVC INSULATED
8	1	CONNECTOR, DUAL ROW	NYLON
7	1	LOCKNUT	STEEL/ZINC PLATED
6	1	GASKET	NEOPRENE
5	1	O-RING/SEAL	BUNA-N/COLOR:BLACK
4	5	CONTACT, SOCKET	CU ALLOY/GOLD PLATED
3	1	INSERT, 5/C	PVC/COLOR:GRAY
2	1	RCPT. SHELL, INT. THDS.	ALUMINUM/BLACK ANODIZE
1	SEE ABOVE	WIRE, 22 AWG.	PVC INSULATED

UL AND C(UL) RECOGNIZED SPECIFICATIONS:  
VOLTAGE RATING-250V  
CURRENT RATING-4 AMPS

1. RECOMMENDED MOUNTING HOLE SIZE: .875"/.844" DIAMETER.  
NOTES: UNLESS OTHERWISE SPECIFIED

<b>QUALITY SYMBOLS</b> MAJOR = CRITICAL = SPC =	<b>UNLESS SPECIFIED:</b> ALL DIMENSIONS IN INCHES	SCALE --- DWG SIZE B	THIRD ANGLE PROJECTION	REVISE ON CAD ONLY	
	<b>GENERAL TOLERANCES:</b> 3 PLACE ±.005 2 PLACE ±.01 ANGULAR ±2°	<b>DRAWN BY &amp; DATE</b> GF 3-6-00 <b>CHECKED BY &amp; DATE</b> DW 3-6-00 <b>APPROVED BY &amp; DATE</b> DW 3-6-00	<b>TITLE:</b> MINI-C, RECEPTACLE, FEMALE, 5 POLE, 22 AWG., DEVICE NET		
	Ull-Mate CAGE CODE 58967	<b>MOLEX INCORPORATED</b> Orange, CA 92868		PART NO. SEE CHART DRAWING NO. SD-84915-0076 SHEET NO. 1 of 1	REV B

THIS DRAWING CONTAINS INFORMATION THAT IS PROPRIETARY TO MOLEX INCORPORATED AND SHOULD NOT BE USED WITHOUT WRITTEN PERMISSION.