

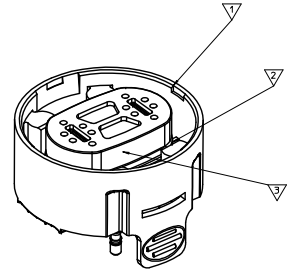
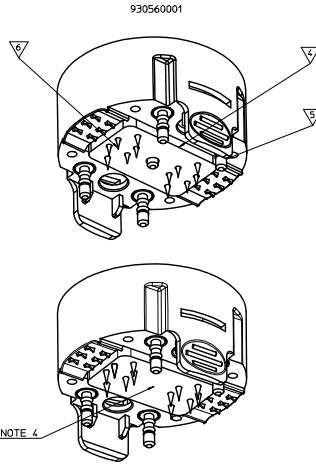
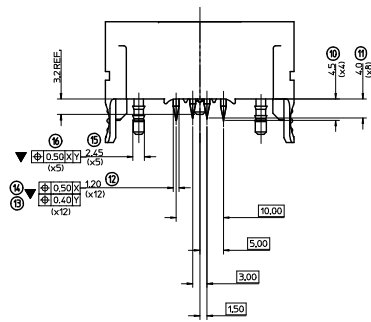
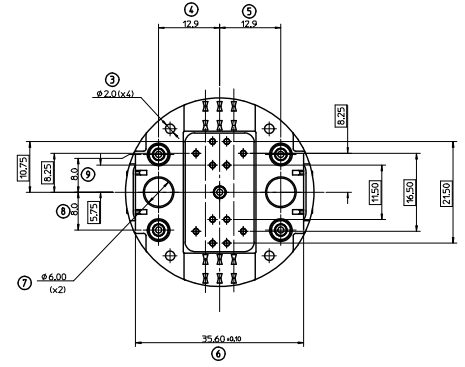
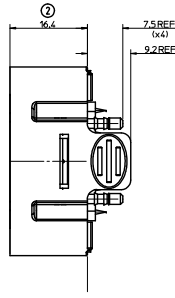
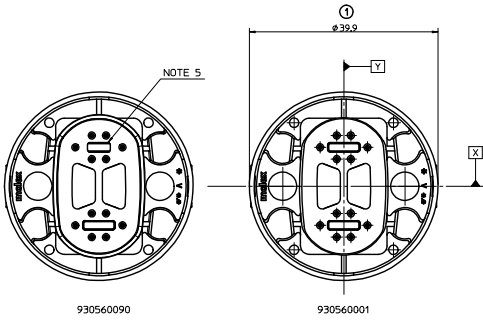
Excellent Integrated System Limited

Stocking Distributor

Click to view price, real time Inventory, Delivery & Lifecycle Information:

[Molex Connector Corporation](#)
[0930560001](#)

For any questions, you can email us directly:
sales@integrated-circuit.com



| COMPONENT | DESCRIPTION |
|-----------|---|
| 1 | CABLE CONNECTOR TOP PRT 30% GF, COLOUR BLACK |
| 2 | CABLE CONNECTOR SEAL SILICONE RUBBER, COLOR BLACK |
| 3 | CABLE CONNECTOR SLEEVE PBT 30% GF, COLOUR BLACK |
| 4 | CABLE CONNECTOR TOP SEL MAT SUSPENDED LIQUID SILICONE, COLOUR BLUE |
| 5 | CABLE CONNECTOR STUD BRASS |
| 6 | CABLE CONNECTOR PIN PHOSPHOR BRONZE PLATING: NICKLE ALL OVER Au OVER PIN IN SELECTED AREAS |

NOTES

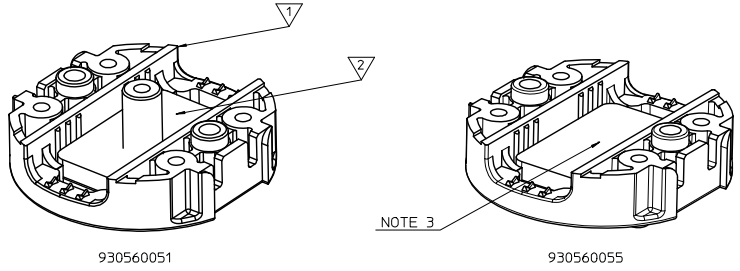
- SEE CHART FOR MATERIAL AND PLATING INFORMATION
- PACKAGING: SEE PK-93056-001
- SEE PRODUCT SPEC PS-93056-001
- AS 930560001 WITHOUT THE CENTER STUD LOADED
- POLARIZING FEATURE

LAST INSPECTION NUMBER 35

| PART NUMBER | DESCRIPTION |
|-------------|---|
| 930560001 | CABLE CONNECTOR MODULE |
| 930560090 | CABLE CONNECTOR MODULE, NO CENTER STUD, POLARIZED |

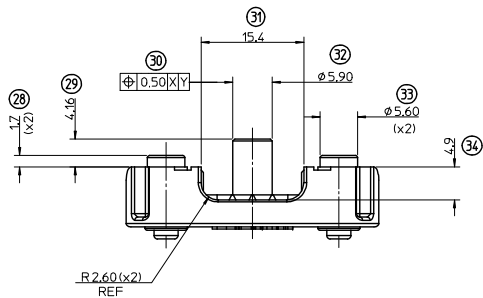
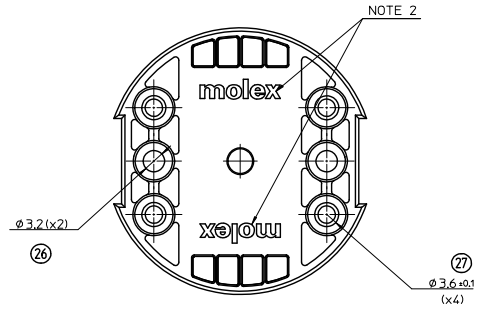
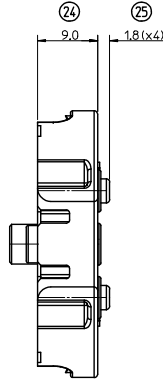
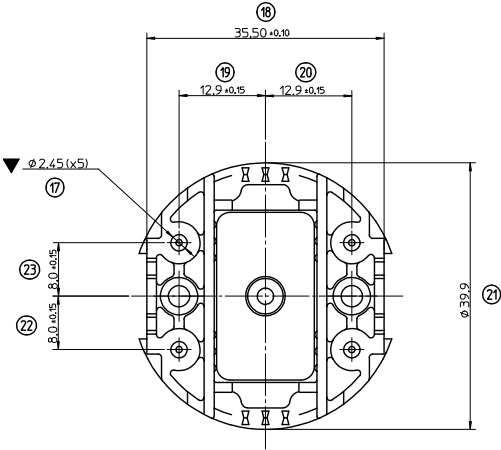
| ADDED OPTION EC NO. PZ005-1852 DRAW NUMBER CHKD. APPROVED/REF. N. 2015/04/23 2015/08/29 | QUALITY SYMBOLS | GENERAL TOLERANCES (UNLESS SPECIFIED) | DIMENSION STYLE | SCALE | DESIGN UNITS | THIRD ANGLE PROJECTION | | | | | | | | | | | | | | | | | | | | | | | | | | | | |
|--|--|--|-----------------|-------|--------------|------------------------|-------|---------|----------|-------|---------|----------|--------|---------|---------|-------|---------|---|----------|------|--------|-----------|------------|------|-----------|-----------|-------------|------|---------|-----------|---------|-------|--------|------------------------|
| | $\nabla \pm 0.2$ $\nabla \pm 0.0$ | <table border="1"> <thead> <tr> <th></th> <th>mm</th> <th>INCH</th> </tr> </thead> <tbody> <tr> <td>4 PLACES</td> <td>± 0.3</td> <td>± 0.012</td> </tr> <tr> <td>3 PLACES</td> <td>± 0.2</td> <td>± 0.008</td> </tr> <tr> <td>2 PLACES</td> <td>± 0.15</td> <td>± 0.006</td> </tr> <tr> <td>1 PLACE</td> <td>± 0.3</td> <td>± 0.012</td> </tr> </tbody> </table> | | mm | INCH | 4 PLACES | ± 0.3 | ± 0.012 | 3 PLACES | ± 0.2 | ± 0.008 | 2 PLACES | ± 0.15 | ± 0.006 | 1 PLACE | ± 0.3 | ± 0.012 | <table border="1"> <thead> <tr> <th>DRAWN BY</th> <th>DATE</th> </tr> </thead> <tbody> <tr> <td>DMAHER</td> <td>7/11/2007</td> </tr> <tr> <th>CHECKED BY</th> <th>DATE</th> </tr> <tr> <td>MSHANAHAN</td> <td>7/11/2007</td> </tr> <tr> <th>APPROVED BY</th> <th>DATE</th> </tr> <tr> <td>EFO LAN</td> <td>7/11/2007</td> </tr> </tbody> </table> | DRAWN BY | DATE | DMAHER | 7/11/2007 | CHECKED BY | DATE | MSHANAHAN | 7/11/2007 | APPROVED BY | DATE | EFO LAN | 7/11/2007 | MM ONLY | 2.5:1 | METRIC | THIRD ANGLE PROJECTION |
| | | mm | INCH | | | | | | | | | | | | | | | | | | | | | | | | | | | | | | | |
| 4 PLACES | ± 0.3 | ± 0.012 | | | | | | | | | | | | | | | | | | | | | | | | | | | | | | | | |
| 3 PLACES | ± 0.2 | ± 0.008 | | | | | | | | | | | | | | | | | | | | | | | | | | | | | | | | |
| 2 PLACES | ± 0.15 | ± 0.006 | | | | | | | | | | | | | | | | | | | | | | | | | | | | | | | | |
| 1 PLACE | ± 0.3 | ± 0.012 | | | | | | | | | | | | | | | | | | | | | | | | | | | | | | | | |
| DRAWN BY | DATE | | | | | | | | | | | | | | | | | | | | | | | | | | | | | | | | | |
| DMAHER | 7/11/2007 | | | | | | | | | | | | | | | | | | | | | | | | | | | | | | | | | |
| CHECKED BY | DATE | | | | | | | | | | | | | | | | | | | | | | | | | | | | | | | | | |
| MSHANAHAN | 7/11/2007 | | | | | | | | | | | | | | | | | | | | | | | | | | | | | | | | | |
| APPROVED BY | DATE | | | | | | | | | | | | | | | | | | | | | | | | | | | | | | | | | |
| EFO LAN | 7/11/2007 | | | | | | | | | | | | | | | | | | | | | | | | | | | | | | | | | |
| DRAFT WHERE APPLICABLE MUST REMAIN WITHIN DIMENSIONS SEE TABLE THIS DRAWING CONTAINS INFORMATION THAT IS PROPRIETARY TO MOLEX INCORPORATED AND SHOULD NOT BE USED WITHOUT WRITTEN PERMISSION | MATERIAL NO. DOCUMENT NO. MOLEX INCORPORATED SD-93056-001 | SHEET NO. 1 OF 3 | | | | | | | | | | | | | | | | | | | | | | | | | | | | | | | | |

| COMPONENT | DESCRIPTION |
|-----------|------------------------------|
| 1 | CABLE CONNECTOR BASE |
| 2 | CABLE CONNECTOR BASE GEL MAT |



930560051

930560055



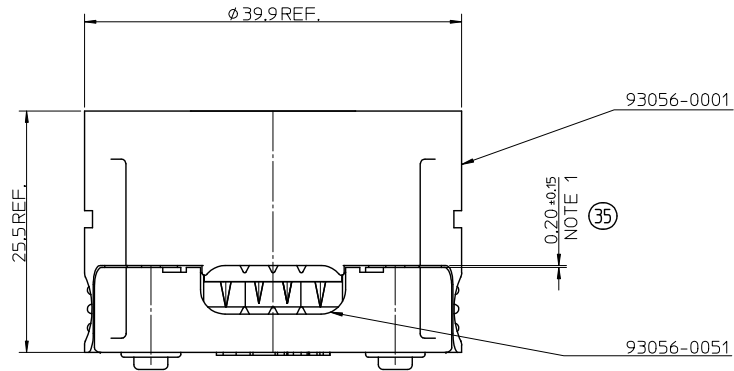
NOTES

- SEE CHART FOR MATERIAL INFORMATION
- LOGO EMBOSSED 0.3 MM TYP
- AS 930560051 WITHOUT CENTRE POST

| PART NUMBER | DESCRIPTION |
|-------------|-----------------------------------|
| 930560051 | CABLE CONNECTOR BASE WITH POST |
| 930560055 | CABLE CONNECTOR BASE WITHOUT POST |

| ADDED OPTION | EC NO: JFG2015-1852 | DRAWN BY: DMAHER | DATE: 7/11/2007 | CHECKED BY: MSHANAHAN | DATE: 7/11/2007 | APPROVED BY: EFOLAN | DATE: 7/11/2007 | MATERIAL NO. | SEE TABLE | DOCUMENT NO. | SD-93056-001 | SHEET NO. | 2 OF 3 |
|----------------------|---------------------|---|-----------------|-----------------------|-----------------|---------------------|------------------------|--------------|-----------|--------------|--------------|-----------|--------|
| | | | | | | | | | | | | | |
| DRW: DMAHER | 2015/04/23 | | | | | | | | | | | | |
| CHKD: APPR: STORIFEN | 2015/08/19 | | | | | | | | | | | | |
| REV | DESCRIPTION | | | | | | | | | | | | |
| ▽=1 | | mm | INCH | MM ONLY | 2.5:1 | METRIC | THIRD ANGLE PROJECTION | | | | | | |
| ▽=0 | | 4 PLACES ±--- | ±--- | | | | | | | | | | |
| | | 3 PLACES ±--- | ±--- | | | | | | | | | | |
| | | 2 PLACES ±0.15 | ±--- | | | | | | | | | | |
| | | 1 PLACE ±0.3 | ±--- | | | | | | | | | | |
| | | ANGULAR ± 2 ° | | | | | | | | | | | |
| | | DRAFT WHERE APPLICABLE MUST REMAIN WITHIN DIMENSIONS | | | | | | | | | | | |
| | | THIS DRAWING CONTAINS INFORMATION THAT IS PROPRIETARY TO MOLEX INCORPORATED AND SHOULD NOT BE USED WITHOUT WRITTEN PERMISSION | | | | | | | | | | | |

10 9 8 7 6 5 4 3 2 1



MATING OF 93056-0001 WITH 93056-0051
OR 93056-0090 WITH 93056-0055

NOTE

1: DIMENSION TO ENSURE CORRECT MATING DISTANCE FOR CONNECTORS

| | | | | | | | |
|--|-----------------|---|----------------------------|------|-------------------------|------------------------|---------------------------------|
| SEE SHEET 1 EC NO: IPG2015-1852 DRAWN BY: DMAHER 2015/04/23 CHKD: STORFFEN APPR: STORFFEN 2015/08/19 | QUALITY SYMBOLS | GENERAL TOLERANCES (UNLESS SPECIFIED) | DIMENSION STYLE MM ONLY | | SCALE 5:1 | DESIGN UNITS METRIC | THIRD ANGLE PROJECTION |
| | ▽=0 | 4 PLACES ± --- ± --- | mm | INCH | DRAWN BY DMAHER | DATE 7/11/2007 | TITLE CABLE CONNECTOR MODULE |
| | ▽=0 | 3 PLACES ± --- ± --- | | | CHECKED BY MSHANAHAN | DATE 7/11/2007 | |
| | | 2 PLACES ± 0.15 ± --- | | | APPROVED BY EFOLAN | DATE 7/11/2007 | MATERIAL NO. 930560100 |
| | | 1 PLACE ± 0.3 ± --- | | | | | DOCUMENT NO. SD-93056-001 |
| | | ANGULAR ± 2 ° | | | | | SHEET NO. 3 OF 3 |
| DRAFT WHERE APPLICABLE MUST REMAIN WITHIN DIMENSIONS | | THIS DRAWING CONTAINS INFORMATION THAT IS PROPRIETARY TO MOLEX INCORPORATED AND SHOULD NOT BE USED WITHOUT WRITTEN PERMISSION | | | | | |

9 8 7 6 5 4 3 2 1