

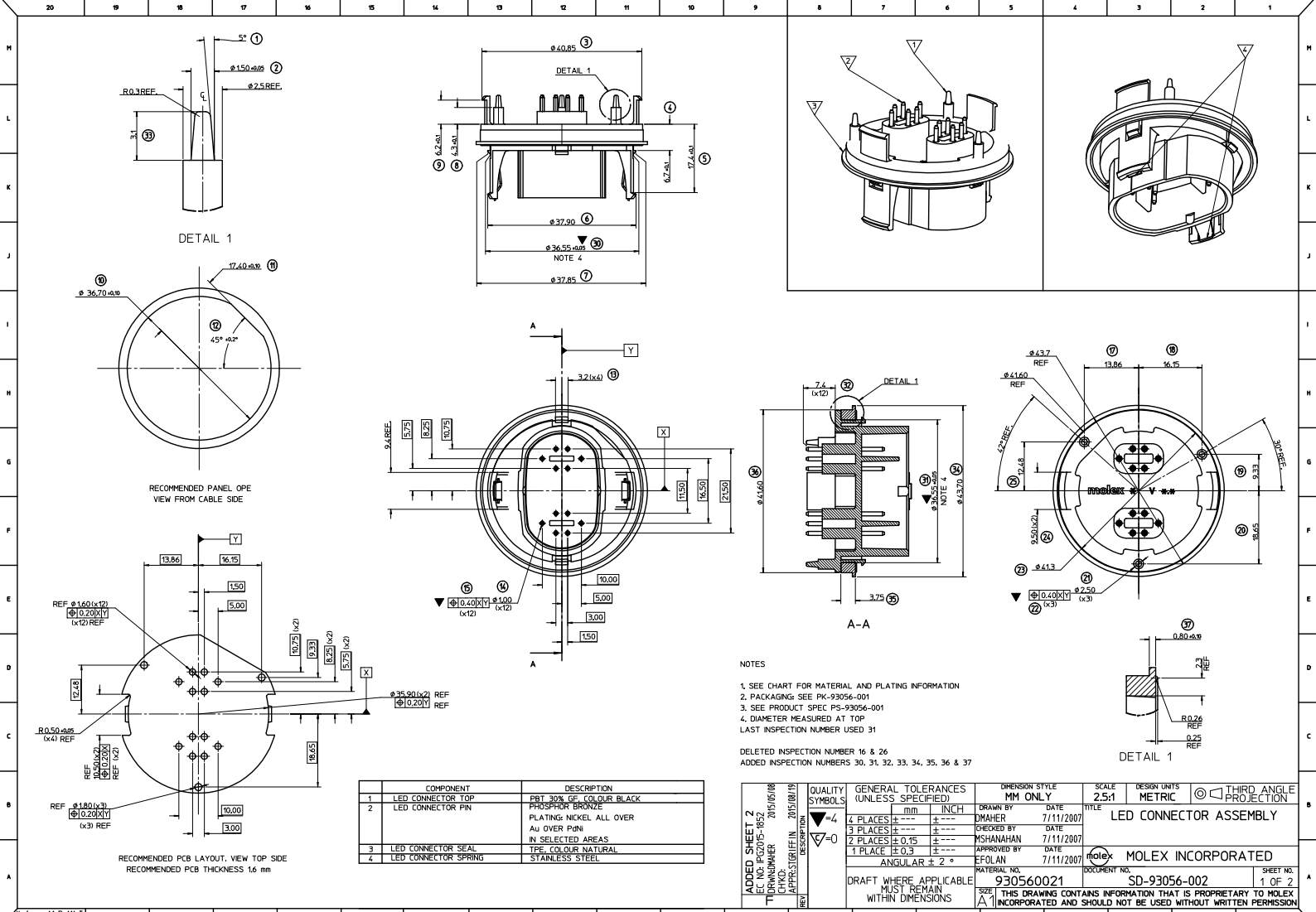
## **Excellent Integrated System Limited**

Stocking Distributor

Click to view price, real time Inventory, Delivery & Lifecycle Information:

[Molex Connector Corporation](#)  
[0930560021](#)

For any questions, you can email us directly:  
[sales@integrated-circuit.com](mailto:sales@integrated-circuit.com)



RECOMMENDED PANEL OPE  
VIEW FROM CABLE SIDE

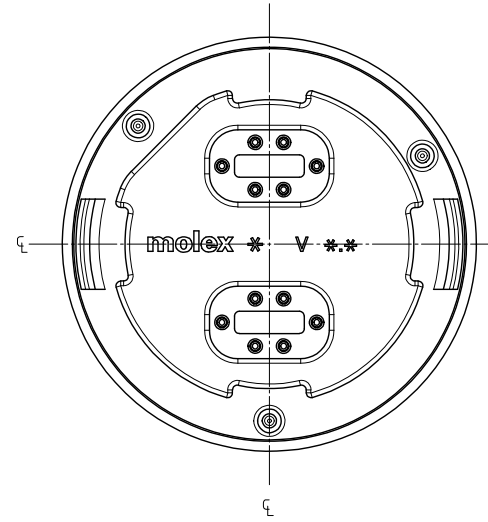
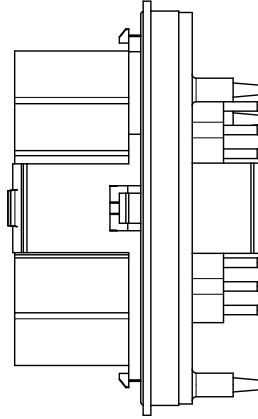
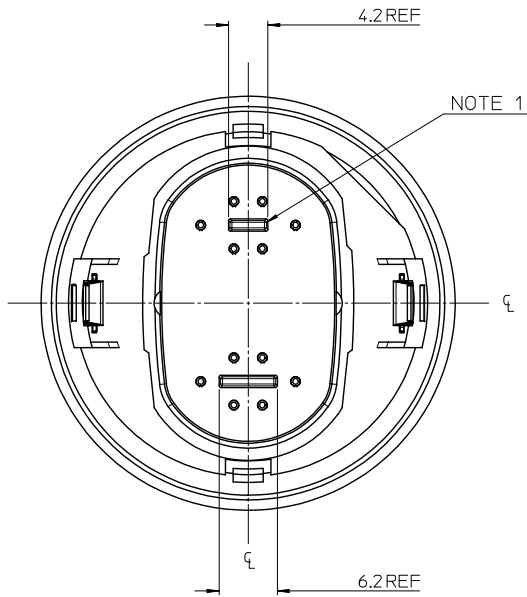
RECOMMENDED PCB LAYOUT, VIEW TOP SIDE  
RECOMMENDED PCB THICKNESS 1.6 mm

COMPONENT	DESCRIPTION
1 LED CONNECTOR TOP	PBT 30% GF COLOUR BLACK
2 LED CONNECTOR PIN	PHOSPHOR BRONZE PLATING NICKEL ALL OVER Au OVER PINS IN SELECTED AREAS
3 LED CONNECTOR SEAL	TPE, COLOUR NATURAL
4 LED CONNECTOR SPRING	STAINLESS STEEL

- NOTES
- SEE CHART FOR MATERIAL AND PLATING INFORMATION
  - PACKAGING: SEE PK-93056-001
  - SEE PRODUCT SPEC PS-93056-001
  - DIAMETER MEASURED AT TOP  
LAST INSPECTION NUMBER USED 31

DELETED INSPECTION NUMBER 16 & 26  
ADDED INSPECTION NUMBERS 30, 31, 32, 33, 34, 35, 36 & 37

ADDED SHEET 2 EC NO. IZ2015-1857 TDR NUMBER 2015/05/08 CHKD. APPROVED/REF IN 2015/08/25 REV.	QUALITY SYMBOLS	GENERAL TOLERANCES (UNLESS SPECIFIED)	DIMENSION STYLE	SCALE	DESIGN UNITS	THIRD ANGLE PROJECTION
	4 PLACES ± 0.15	mm	MM ONLY	2.5:1	METRIC	LED CONNECTOR ASSEMBLY
	3 PLACES ± 0.15	INCH	DRAWN BY	DATE		
	1 PLACE ± 0.3	ANGULAR ± 2°	DMAYER	7/11/2007	CHECKED BY	DATE
DRAFT WHERE APPLICABLE MUST REMAIN WITHIN DIMENSIONS		APPROVED BY		DATE		
		EFULAN		7/11/2007		
		MATERIAL NO.		DOCUMENT NO.		
		930560021		SD-93056-002		
		SHEET NO.		INCORPORATED AND SHOULD NOT BE USED WITHOUT WRITTEN PERMISSION		
		1 OF 2				



NOTES

1. POLARIZING FEATURE
2. FOR ALL OTHER DIMENSIONS AND SPECIFICATIONS SEE SHEET 1

<b>ADDED OPTION</b> EC NO: IFC2015-1852 T: DRW:DMAHER 2015/05/08 CHKD: APPR: STGR/FFIN 2015/08/19	QUALITY SYMBOLS ▽=0 ▽=0	GENERAL TOLERANCES (UNLESS SPECIFIED)		DIMENSION STYLE MM ONLY		SCALE 2.5:1	DESIGN UNITS METRIC	THIRD ANGLE PROJECTION	
		4 PLACES ± --- ± --- 3 PLACES ± --- ± --- 2 PLACES ± 0.15 ± --- 1 PLACE ± 0.3 ± --- 0 PLACE ± ±	mm INCH ± --- ± --- ± --- ± --- ± --- ± --- ± ±	DRAWN BY DMAHER	DATE 7/11/2007	TITLE LED CONNECTOR ASSEMBLY		molex	
DRAFT WHERE APPLICABLE MUST REMAIN WITHIN DIMENSIONS		ANGULAR ± 2 °		MATERIAL NO. 930560605		DOCUMENT NO. SD-93056-002		SHEET NO. 2 OF 2	
THIS DRAWING CONTAINS INFORMATION THAT IS PROPRIETARY TO MOLEX INCORPORATED AND SHOULD NOT BE USED WITHOUT WRITTEN PERMISSION									