

## Excellent Integrated System Limited

Stocking Distributor

Click to view price, real time Inventory, Delivery & Lifecycle Information:

[Molex Connector Corporation](#)  
[0955027443](#)

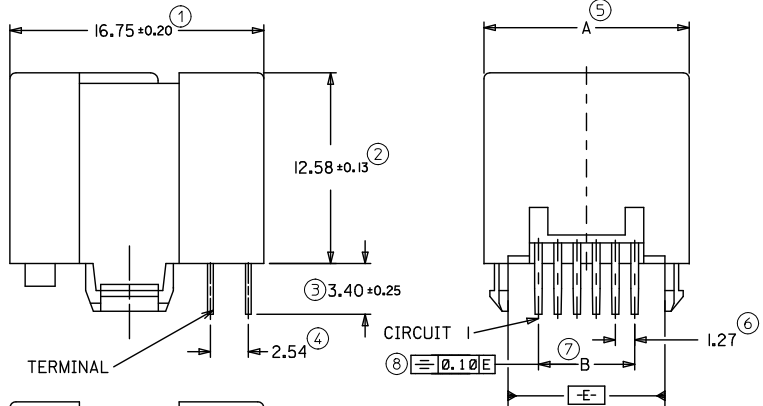
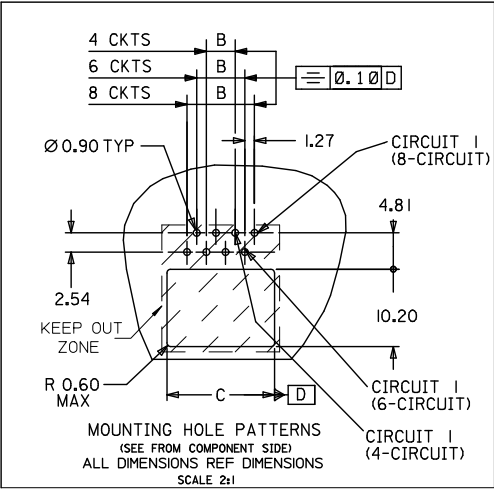
For any questions, you can email us directly:

[sales@integrated-circuit.com](mailto:sales@integrated-circuit.com)

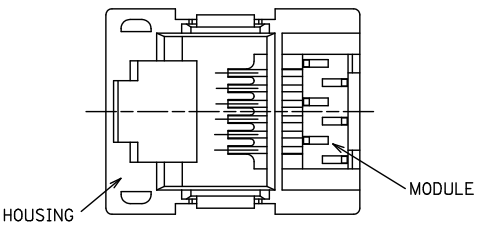
10 9 8 7 6 5 4 3 2 1

**NOTES :**

- 1- MATERIAL:**  
 -HOUSING: L C P FIBER GLASS FILLED UL 94-V0 COLOR BLACK.  
 -MODULE : L C P FIBER GLASS FILLED UL 94-V0 COLOR BLACK.  
 -TERMINAL: COPPER ALLOY  
**PLATING:**  
 PLATING 7: POST PLATE 0.00005 MIN GOLD FLASH OVER  
 0.00060 MIN PALLADIUM-NICKEL IN CONTACT AREA.  
 0.00190 MIN PURE TIN IN TAIL AREA  
 BOTH OVER 0.00127 MIN NICKEL OVERALL  
**2- JACK FOR MATING WITH IEC 60603-7 AND TIA-1096-A PLUGS 90075 MOLEX SERIES.**  
**3- PCB THICKNESS : 1.57**  
**4- PRODUCT SPECIFICATION PS-95502-001**  
**5- PACKAGING SPECIFICATION PK-95002**  
**6- APPLICATION SPECIFICATION: AS-85513-001**  
**7- MANUFACTURING I.D. CAN BE MG, MXF OR MXI.**  
**LAST INSPECTION NUMBER: 8**



| P/N        | PLATING | HOUSING SIZE | CKTS.  | DIM.    |              |         |
|------------|---------|--------------|--------|---------|--------------|---------|
|            |         |              |        | A ±0.13 | B ±0.05/0.10 | C ±0.08 |
| 95502-7443 | 7       | POS 4        | 4 CKTS | 11.50   | 3.81         | 10.20   |
| 95502-7643 | 7       | POS 6        | 4 CKTS | 13.55   | 3.81         | 12.20   |
| 95502-7663 | 7       | POS 6        | 6 CKTS | 13.55   | 6.35         | 12.20   |
| 95502-7883 | 7       | POS 8        | 8 CKTS | 15.55   | 8.89         | 14.20   |



|   |   |  |   |                           |                              |                        |                    |
|---|---|--|---|---------------------------|------------------------------|------------------------|--------------------|
| CORRECTED VIEWS<br>IEC NO.: IFG2013-1115<br>DRAWN BY: 2013/01/24<br>CHKD: SINGREY 2013/02/05<br>APPR: STORFFIN 2013/02/21 | QUALITY SYMBOLS<br>▽=0<br>▽=0   | GENERAL TOLERANCES (UNLESS SPECIFIED)<br>4 PLACES ± --- ± ---<br>3 PLACES ± --- ± ---<br>2 PLACES ± 0.15 ± ---<br>1 PLACE ± 0.25 ± ---<br>ANGULAR ± 5° | DIMENSION STYLE<br>MM ONLY  | SCALE<br>4:1              | DESIGN UNITS<br>METRIC       | THIRD ANGLE PROJECTION |                    |
|   | DRAWN BY: MARTIN<br>CHECKED BY: FCARABETTA<br>APPROVED BY: KNOLLER  | DATE: 2005/05/31<br>DATE: 2005/05/31<br>DATE: 2005/05/31   | TITLE<br>BOTTOM ENTRY LOW PROFILE MODULAR JACK (THROUGH HOLE VERSION) | MATERIAL NO.<br>SEE CHART | DOCUMENT NO.<br>SD-95502-001 | SHEET NO.<br>1 OF 1    | MOLEX INCORPORATED |
|   | DRAFT WHERE APPLICABLE MUST REMAIN WITHIN DIMENSIONS  |  |   |                           |                              |                        |                    |
|   | THIS DRAWING CONTAINS INFORMATION THAT IS PROPRIETARY TO MOLEX INCORPORATED AND SHOULD NOT BE USED WITHOUT WRITTEN PERMISSION |  |   |                           |                              |                        |                    |

9 8 7 6 5 4 3 2 1

10 9 8 7 6 5 4 3 2 1

**NOTES :**

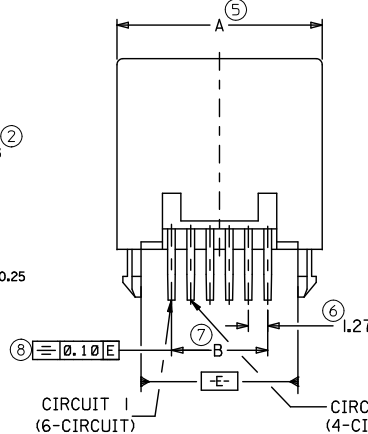
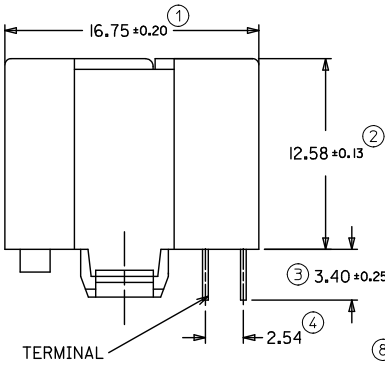
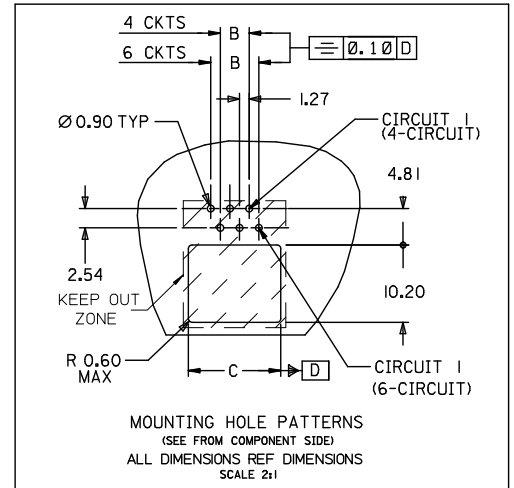
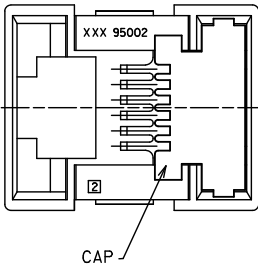
**1- MATERIAL:**

- HOUSING: LCP FIBER GLASS FILLED UL 94-V0 COLOR BLACK.
- MODULE: LCP FIBER GLASS FILLED UL 90-V0 COLOR BLACK
- TERMINAL: COPPER ALLOY

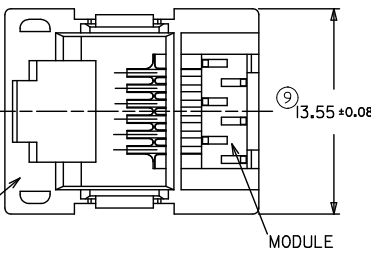
**PLATING:**

PLATING 7: POST PLATE 0.00005 MIN GOLD FLASH OVER  
0.00060 MIN PALLADIUM-NICKEL IN CONTACT AREA,  
0.00190 MIN PURE TIN IN TAIL AREA  
BOTH OVER 0.00127 MIN PURE NICKEL OVERALL

- 2- JACK FOR MATING WITH IEC 60603-7 AND TIA-1096-A PLUGS 90075 MOLEX SERIES.
  - 3- PCB THICKNESS : 1.57
  - 4- PRODUCT SPECIFICATION PS-95502-001
  - 5- PACKAGING SPECIFICATION PK-95002
  - 6- MANUFACTURING I.D. CAN BE MG, MXF OR MXI.
  - 7- APPLICATION SPECIFICATION: AS-85513-001
- LAST INSPECTION NUMBER: 9



| P/N        | PLATING | HOUSING SIZE | CKTS   | DIM     |              |         |
|------------|---------|--------------|--------|---------|--------------|---------|
|            |         |              |        | A ±0.13 | B ±0.05/0.10 | C ±0.08 |
| 95502-7447 | 7       | POS 4        | 4 CKTS | 11.50   | 3.81         | 10.20   |
| 95502-7647 | 7       | POS 6        | 4 CKTS | 13.55   | 3.81         | 12.20   |
| 95502-7667 | 7       | POS 6        | 6 CKTS | 13.55   | 6.35         | 12.20   |



CORRECTED VIEWS  
 IEC NO. IPG2013-1115  
 DRAWN BY: 2013/01/24  
 CHKD: SINGREY 2013/02/05  
 APPR: STORFFIN 2013/02/21  
 REV DESCRIPTION

QUALITY SYMBOLS  
 ▽=0  
 ▽=0

|              | GENERAL TOLERANCES (UNLESS SPECIFIED) |       |
|--------------|---------------------------------------|-------|
|              | mm                                    | INCH  |
| 4 PLACES     | ± ---                                 | ± --- |
| 3 PLACES     | ± ---                                 | ± --- |
| 2 PLACES     | ± 0.15                                | ± --- |
| 1 PLACE      | ± 0.25                                | ± --- |
| ANGULAR ± 5° |                                       |       |

DRAFT WHERE APPLICABLE MUST REMAIN WITHIN DIMENSIONS

| DIMENSION STYLE |            | SCALE   | DESIGN UNITS | THIRD ANGLE PROJECTION |
|-----------------|------------|---|--------------|------------------------|
| MM ONLY         |            | 4:1   | METRIC       | ☉ □                    |
| DRAWN BY        | DATE       | TITLE   |              |                        |
| MARTIN          | 2005/05/31 | BOTTOM ENTRY LOW PROFILE MODULAR JACK WITH CAP (THROUGH HOLE VERSION) |              |                        |
| CHECKED BY      | DATE       | MOLEX INCORPORATED  |              |                        |
| FCARABETTA      | 2005/05/31 |   |              |                        |
| APPROVED BY     | DATE       | MATERIAL NO. DOCUMENT NO. SHEET NO.                                   |              |                        |
| KNOLLER         | 2005/05/31 | SEE CHART   | SD-95502-002 | 1 OF 1                 |

MOLEX INCORPORATED  
 THIS DRAWING CONTAINS INFORMATION THAT IS PROPRIETARY TO MOLEX INCORPORATED AND SHOULD NOT BE USED WITHOUT WRITTEN PERMISSION

9 8 7 6 5 4 3 2 1