

Excellent Integrated System Limited

Stocking Distributor

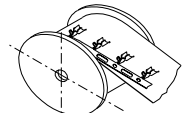
Click to view price, real time Inventory, Delivery & Lifecycle Information:

[Molex Connector Corporation](#)
[0980121202](#)

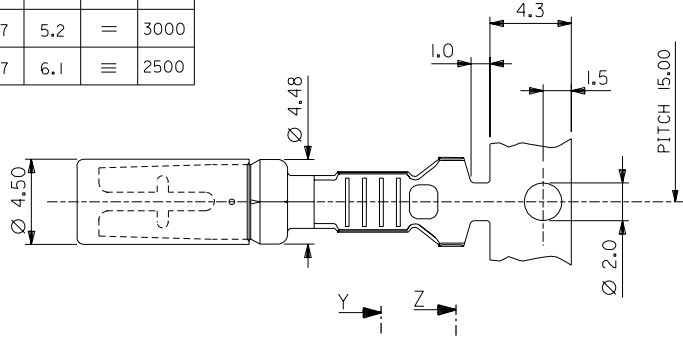
For any questions, you can email us directly:

sales@integrated-circuit.com

PART NO.	WIRE SQ mm ²	INS. Ø mm	B1	H1	B2	H2	M	PARTS PER REEL
			±0.2					
98012-1102	0.5-1.0	1.4-3.3	3.2	3.2	4.7	4.6	—	3000
98012-1202	1.5-2.5	2.1-4.2	4.1	3.8	5.7	5.2	≡	3000
98012-1302	2.5-4.0	2.6-4.9	4.4	4.5	6.7	6.1	≡	2500

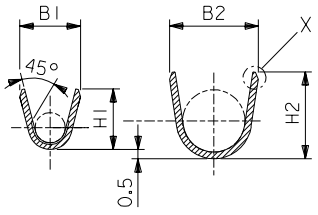


NORMAL FINISHED PARTS

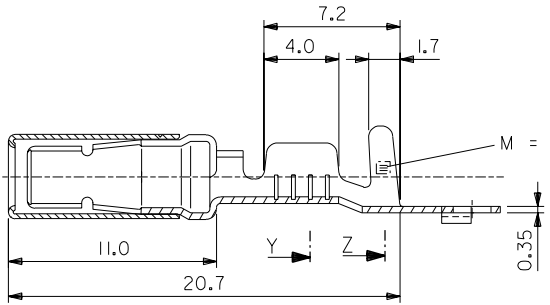
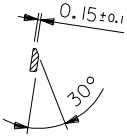


SECTION Y-Y
SCHNITT Y-Y

SECTION Z-Z
SCHNITT Z-Z



DETAIL X
EINZELHEIT X



MATERIAL

BODY: PHOSPHOR BRONZE
KOERPER: KUPFER-ZINN-LEGIERUNG

SLEEVE: BRASS
BUCHSE: MESSING

FOR PREVIOUS
DRAWING ISSUES
SEE "EDIS"

ECN	WAG 1281
REV	17.02.94
DES	H. DIETZ
APP	
CHK	
DRW	

THIRD ANGLE PROJECTION		REVISE ONLY ON CAD SYSTEM	SH. REV.
DIMENSIONS SHOWN (METRIC) INCH		CAD/CAM FILE NAME	SD98012
UNLESS OTHERWISE SPECIFIED TOLERANCES: ANGULAR: ±		THIS DRAWING CONTAINS INFORMATION THAT IS PROPRIETARY TO MOLEX INC. & SHOULD NOT BE USED WITHOUT WRITTEN PERMISSION	
INCH (METRIC)		TITLE	
3 PLACE ±	±	FEMALE TERMINAL 2.8mm	
2 PLACE ±	± 0.15	APO	
1 PLACE ±	± 0.30	SCALE	
DRAFT WHERE APPLICABLE MUST REMAIN WITHIN DIMENSIONS		MOLEX MOLEX EUROPE	
DESIGN DIMENSION (PRIMARY)	<input type="checkbox"/> (MM) <input type="checkbox"/> IN.	SHEET NO. DATE	
EQUIVALENT DIMENSION (SECONDARY)	<input type="checkbox"/> (MM) <input type="checkbox"/> IN.	1 / 1 21 / 10 / 91	
SCALE 5:1		PART NO. DWG NO.	
		SEE TABLE SD-98012	
		SIZE B	