

Excellent Integrated System Limited

Stocking Distributor

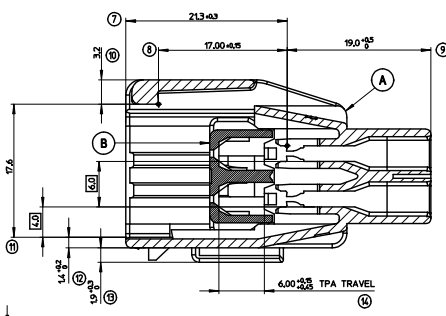
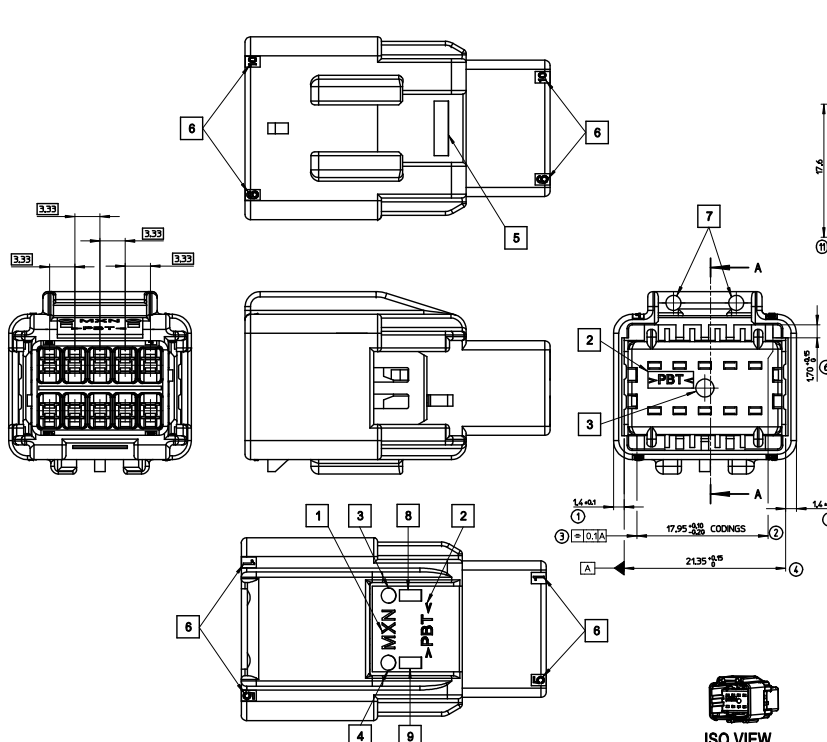
Click to view price, real time Inventory, Delivery & Lifecycle Information:

[Molex Connector Corporation](#)
[0988231018](#)

For any questions, you can email us directly:

sales@integrated-circuit.com

	20	19	18	17	16	15	14	13	12	11	10	9	8	7	6	5	4	3	2	1																						
CODING	<table border="1"> <thead> <tr> <th colspan="3">MODIFICATIONS</th> </tr> <tr> <th>REV.</th> <th>DESCRIPTIONS</th> <th>NAME</th> <th>DATE</th> </tr> </thead> <tbody> <tr> <td>A</td> <td>X-RELEASED</td> <td>PBO</td> <td>06/12/18</td> </tr> <tr> <td>B</td> <td>DRAWING TITLE NSCC WAS UCCA + NEW TITLE BLOCK</td> <td>GD</td> <td>12/07/20</td> </tr> <tr> <td>C</td> <td>UPDATE MARKING PARTS</td> <td>PSR</td> <td>13/04/03</td> </tr> <tr> <td>D</td> <td>DM1 and 5 14/11/01 WAS 14 +LVO. DM2, 17,95 +L/12 WAS 17,95 01-02</td> <td>OPL</td> <td>14/05/07</td> </tr> </tbody> </table>																			MODIFICATIONS			REV.	DESCRIPTIONS	NAME	DATE	A	X-RELEASED	PBO	06/12/18	B	DRAWING TITLE NSCC WAS UCCA + NEW TITLE BLOCK	GD	12/07/20	C	UPDATE MARKING PARTS	PSR	13/04/03	D	DM1 and 5 14/11/01 WAS 14 +LVO. DM2, 17,95 +L/12 WAS 17,95 01-02	OPL	14/05/07
MODIFICATIONS																																										
REV.	DESCRIPTIONS	NAME	DATE																																							
A	X-RELEASED	PBO	06/12/18																																							
B	DRAWING TITLE NSCC WAS UCCA + NEW TITLE BLOCK	GD	12/07/20																																							
C	UPDATE MARKING PARTS	PSR	13/04/03																																							
D	DM1 and 5 14/11/01 WAS 14 +LVO. DM2, 17,95 +L/12 WAS 17,95 01-02	OPL	14/05/07																																							
FRONT VIEW HOUSING																																										
M/N	0988231018	0988231011	0988231016	0988231010	0988231015																																					
COLOR	GREY	BLACK	BLUE	WHITE	GREEN																																					



- NOTES :**
- 1 - USE 1.5 MM SICMA MALE TERMINALS
 - 2 - MATES WITH 098816101X
 - 3 - APPLICATION SPECIFICATION : AS-98816-001
 - 4 - PART WEIGHT: 8.00 g

ID.	MARKING
8	MOLD VERSION
8	PART REVISION LEVEL
7	DATUM YEAR / MONTH
6	CAVITY NUMBERING (FOR TERMINALS)
6	SUPPLIER P/N (#SERIE)
4	ASSEMBLY REVISION LEVEL
3	CAVITY MOLD N°
2	MATERIAL
1	SUPPLIER ACRONYM (INCLUDING MANUF. PLANT ID)

ID.	QTY	DESIGNATION	M/N	COLOR	MATERIAL
B	1	SCC PIN CONN TPA 10CKT	0988230024	YELLOW	PBT
			0988231020	WHITE	
A	1	SCC PIN CONN UNSEALED 1.5 10CKT	0988230011	BLACK	PBT
			0988230015	GREEN	
			0988230016	BLUE	
			0988230018	GREY	

CODING SHOWN : 0988231018 GREY

<p>REVISED</p> <p>DATE</p> <p>BY</p> <p>DESCRIPTION</p>	<p>GENERAL TOLERANCES (UNLESS SPECIFIED)</p> <p>mm INCH</p> <p>4 PLACES ±.--- ±.---</p> <p>3 PLACES ±.--- ±.---</p> <p>2 PLACES ±.05 ±.---</p> <p>1 PLACE ±.0,1 ±.---</p> <p>0 PLACE ±.--- ±.---</p> <p>ANGULAR ± 2 °</p> <p>DRAFT WHERE APPLICABLE MUST REMAIN WITHIN DIMENSIONS</p>	<p>DIMENSION STYLE</p> <p>MM ONLY</p> <p>DRAWN BY DATE</p> <p>PKOSQUAIN 2006/12/18</p> <p>CHECKED BY DATE</p> <p>JDUCLOS 2006/12/18</p> <p>APPROVED BY DATE</p> <p>LSTICKEIR 2006/12/18</p> <p>MATERIAL NOS</p> <p>SEE CHART</p>	<p>SCALE</p> <p>4:1</p> <p>DESIGN UNITS</p> <p>METRIC</p> <p>FIRST ANGLE PROJECTION</p>	<p>DOCUMENT NO.</p> <p>SD-98823-001</p>	<p>SHEET NO.</p> <p>1 OF 1</p>
	<p>molex</p> <p>NSCC PIN CONN UNSEALED 1.5 10CKT</p>				