

Excellent Integrated System Limited

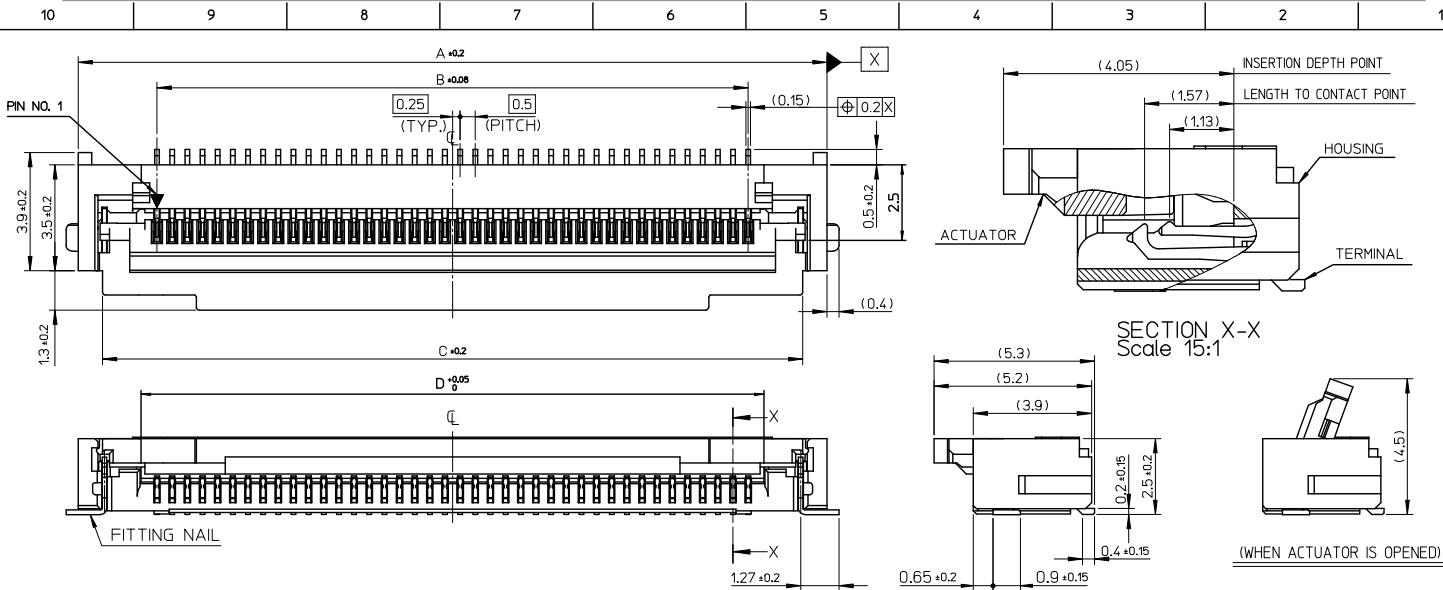
Stocking Distributor

Click to view price, real time Inventory, Delivery & Lifecycle Information:

[Molex Connector Corporation](#)
[1040606017](#)

For any questions, you can email us directly:

sales@integrated-circuit.com



NOTES

- MATERIAL**
HOUSING LIQUID CRYSTAL POLYMER
GLASS FILLED,UL94V-0(BEIGE)
ACTUATOR PPS GLASS FILLED, UL94V-0(BLACK)
(t=0.15)
TERMINAL PHOSPHOR BRONZE
(t=0.15)
FITTING NAIL PHOSPHOR BRONZE
- PLATING**
TERMINAL
CONTACT AREA : SEPARATED GOLD PLATING
(0.05 MICROMETER MINIMUM)
SOLDER TAIL AREA : SEPARATED GOLD PLATING
UNDERPLATE : NICKEL OVERALL
(1.0 MICROMETER MINIMUM)
FITTING NAIL
TIN PLATING (1.0 MICROMETER MIN.)
UNDER PLATING : NICKEL PLATING
(1.0 MICROMETER MIN.)
- IN THE PACKAGE, ACTUATOR OF PART 104060-**10 SHOULD BE CLOSED.**
- FITTING NAIL FOR PREVENTION OF PEELING OF P.C.B. PATTERN.**
- R0.3 MUST NOT BE OVERLAPPED TO PATTERN OF FPC/FFC.**
- N: CIRCUIT.**
- ELV AND RoHS COMPLIANT**
- TAILS AND NAILS COPLANALITY TO BE 0.1mm MAX.**

40.55	43.1	39.5	44.7	104060-8010	104060-8017	80
30.55	33.1	29.5	34.7	104060-6010	104060-6017	60
D	C	B	A	MATERIAL NO.	EMBOSSED PACKAGE	CIRCUIT

CONNECTOR SERIES No. 104060-**10

SCALE 1:1 DESIGN UNITS METRIC THIRD ANGLE PROJECTION

0.5 FFC E/O DUAL CONTACT HOUSING ASS'Y

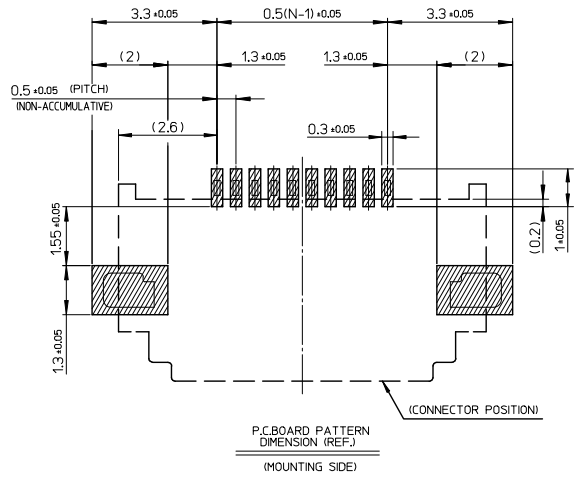
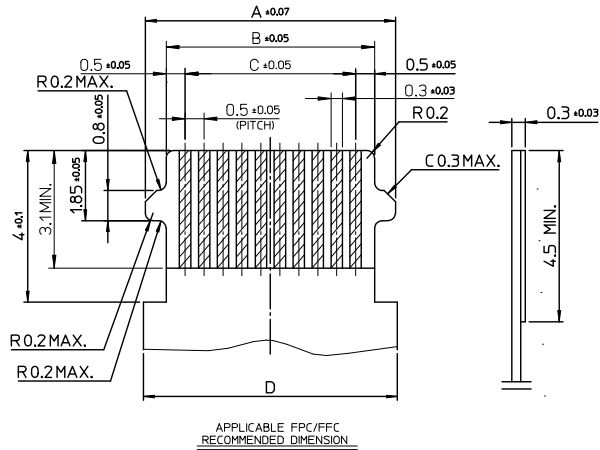
MOLEX INCORPORATED

DOCUMENT NO. SD-104060-001

SHEET NO. 1 OF 3

REVISED EC NO: KOR2016-0118 DRAWN: YKIM 2016/05/27 CHKD: SKIM 2016/05/30 APPR: YSKIM02 2016/05/31 REV DESCRIPTION	QUALITY SYMBOLS	GENERAL TOLERANCES (UNLESS SPECIFIED)	DIMENSION STYLE	SCALE	DESIGN UNITS	THIRD ANGLE PROJECTION
	▽=0	4 PLACES ± --- ± ---	MM ONLY	1:1	METRIC	
	▽=0	3 PLACES ± --- ± ---				
		2 PLACES ± --- ± ---				
		1 PLACE ± 0.3 ± ---				
		ANGULAR ± 1 °				
		DRAFT WHERE APPLICABLE MUST REMAIN WITHIN DIMENSIONS	SEE TABLE			
			SIZE A3			
			THIS DRAWING CONTAINS INFORMATION THAT IS PROPRIETARY TO MOLEX INCORPORATED AND SHOULD NOT BE USED WITHOUT WRITTEN PERMISSION			

10 9 8 7 6 5 4 3 2 1

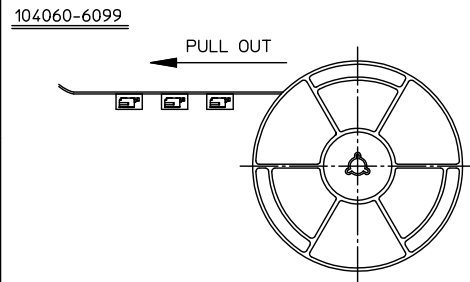
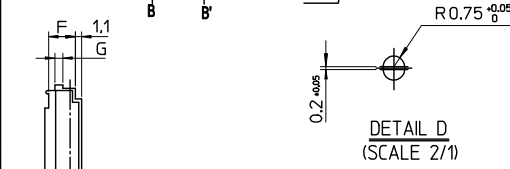
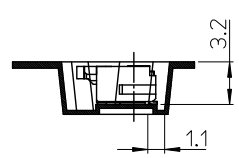
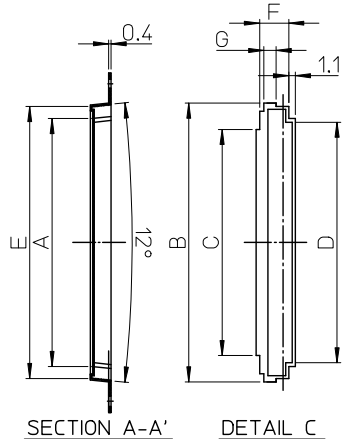
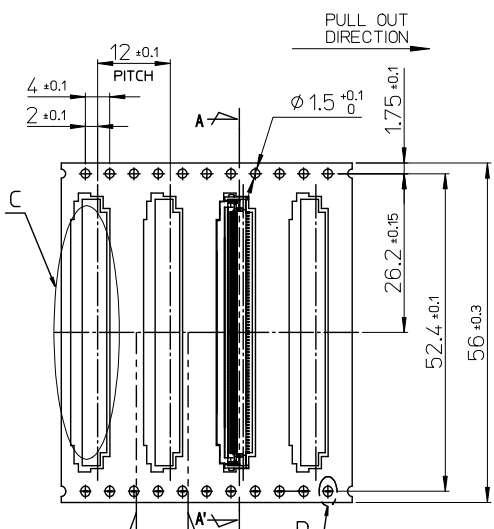


42.3	39.5	40.5	42.2	80
D	C	B	A	CIRCUIT

REVISED EC. NO.: KOR2016-0118 DRAWN: YR.KIM 2016/05/27 CHKD: SKIM 2016/05/30 APPR: YSK.MOZ 2016/05/31	QUALITY SYMBOLS ▽=0 ▽=0	GENERAL TOLERANCES (UNLESS SPECIFIED)		DIMENSION STYLE MM ONLY		SCALE 1:1	DESIGN UNITS METRIC	THIRD ANGLE PROJECTION	
		4 PLACES ± --- ± ---	3 PLACES ± --- ± ---	2 PLACES ± --- ± ---	1 PLACE ± 0.3 ± ---	ANGULAR ± 1 °	DRAWN BY YR.KIM	DATE 2009/06/26	TITLE 0.5 FFC E/O DUAL CONTACT HOUSING ASS'Y
B	DESCRIPTION	DRAFT WHERE APPLICABLE MUST REMAIN WITHIN DIMENSIONS		SEE TABLE		MATERIAL NO.		MOLEX INCORPORATED	
		SIZE A3		THIS DRAWING CONTAINS INFORMATION THAT IS PROPRIETARY TO MOLEX INCORPORATED AND SHOULD NOT BE USED WITHOUT WRITTEN PERMISSION		DOCUMENT NO. SD-104060-001		SHEET NO. 2 OF 3	

9 8 7 6 5 4 3 2 1

10 9 8 7 6 5 4 3 2 1



NOTES

1. NUMBER OF CONNECTORS : 2,400PCS/REEL
2. LEAD TAPE LENGTH
3. FOR DIMENSIONS OF PRODUCT, REFER TO SD-104060-001.
4. MATERIAL
 CARRIER TAPE : POLYETHYLENE TEREPHTHALATE
 TOP TAPE : POLYETHYLENE TEREPHTHALATE , POLYETHYLENE REEL : POLYSTYRENE<RECYCLE MATERIAL CONTAINED>
5. ELV AND RoHS COMPLIANT
6. PEELING OFF FORCE OF COVER TAPE : 0.1N~0.59N(10.2GF~60GF)
 (PEELING DIRECTION AS SHOW IN FOLLOW FIG.)
 PEELING OFF SPEED : 300mm/Min.(Ref.)

35902-0021	104060-8099	2.0	4.8	44.9	39.7	37.3	46	44.9	104060-8017	80
35902-0021	104060-6099	1.4	4.7	34.65	29.7	27.7	35.8	30.9	104060-6017	60
COVER TAPE	EMBOSS TAPE	G	F	E	D	C	B	A	MATERIAL NO.	CIRCUIT

REVISED EC NO: KOR2016-0118 DRAWN: YR.KIM CHKD: SKIM APPR: YSK.MOZ 2016/05/27 2016/05/30 2016/05/31	QUALITY SYMBOLS ▽=0 ▽=0	GENERAL TOLERANCES (UNLESS SPECIFIED)		DIMENSION STYLE MM ONLY		SCALE 10:1	DESIGN UNITS METRIC	THIRD ANGLE PROJECTION		
		4 PLACES ± --- ± ---	mm	INCH	DRAWN BY	DATE	TITLE 0.5 FFC E/O DUAL CONTACT HOUSING ASS'Y MOLEX INCORPORATED MATERIAL NO. SEE TABLE DOCUMENT NO. SD-104060-001 SHEET NO. 3 OF 3			
		3 PLACES ± --- ± ---			CHECKED BY	DATE				
		2 PLACES ± --- ± ---			YS00.KIM	2009/06/26				
1 PLACE ± 0.3 ± ---			APPROVED BY	DATE						
		ANGULAR ± 1 °								
DRAFT WHERE APPLICABLE MUST REMAIN WITHIN DIMENSIONS		SEE TABLE		THIS DRAWING CONTAINS INFORMATION THAT IS PROPRIETARY TO MOLEX INCORPORATED AND SHOULD NOT BE USED WITHOUT WRITTEN PERMISSION						

9 8 7 6 5 4 3 2 1