

Excellent Integrated System Limited

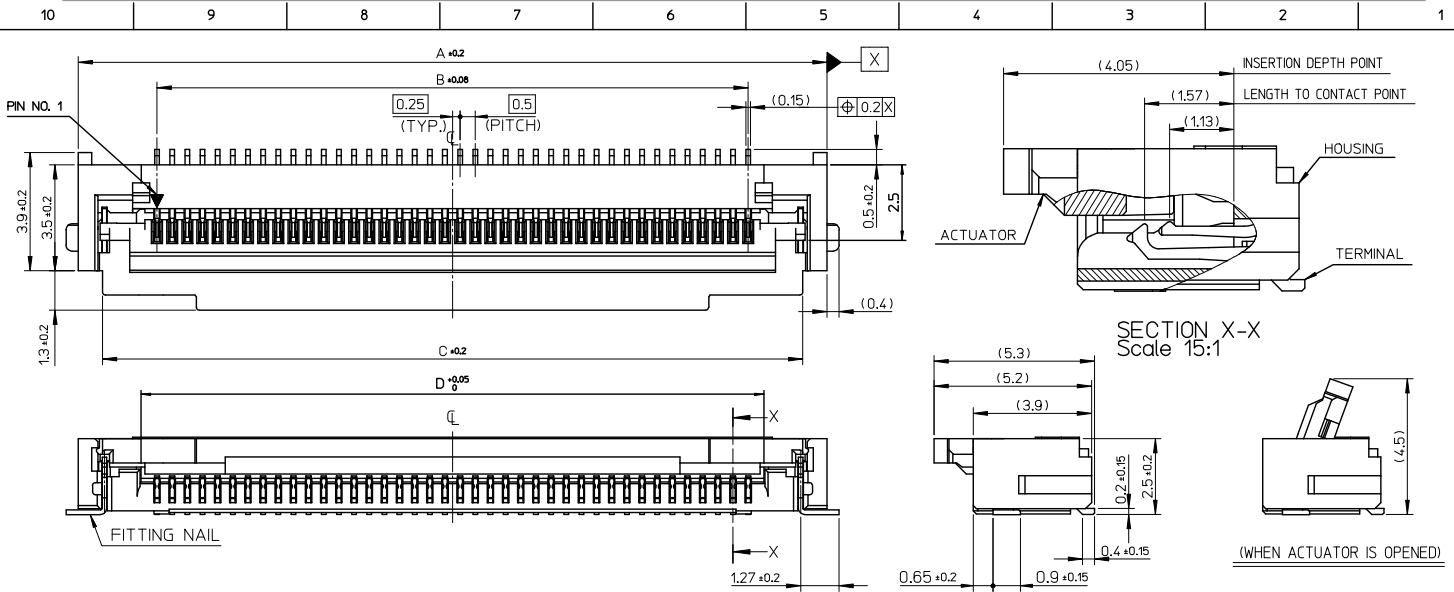
Stocking Distributor

Click to view price, real time Inventory, Delivery & Lifecycle Information:

[Molex Connector Corporation](#)
[1040608017](#)

For any questions, you can email us directly:

sales@integrated-circuit.com



NOTES

- MATERIAL**
HOUSING LIQUID CRYSTAL POLYMER
GLASS FILLED,UL94V-0(BEIGE)
ACTUATOR PPS GLASS FILLED, UL94V-0(BLACK)
TERMINAL PHOSPHOR BRONZE
FITTING NAIL PHOSPHOR BRONZE
- PLATING**
TERMINAL
CONTACT AREA : SEPARATED GOLD PLATING
(0.05 MICROMETER MINIMUM)
SOLDER TAIL AREA : SEPARATED GOLD PLATING
UNDERPLATE : NICKEL OVERALL
(1.0 MICROMETER MINIMUM)
FITTING NAIL
TIN PLATING (1.0 MICROMETER MIN.)
UNDER PLATING : NICKEL PLATING
(1.0 MICROMETER MIN.)
- IN THE PACKAGE, ACTUATOR OF PART 104060-**10 SHOULD BE CLOSED.**
- FITTING NAIL FOR PREVENTION OF PEELING OF P.C.B. PATTERN.**
- R0.3 MUST NOT BE OVERLAPPED TO PATTERN OF FPC/FFC.**
- N: CIRCUIT.**
- ELV AND RoHS COMPLIANT**
- TAILS AND NAILS COPLANALITY TO BE 0.1mm MAX.**

40.55	43.1	39.5	44.7	104060-8010	104060-8017	80
30.55	33.1	29.5	34.7	104060-6010	104060-6017	60
D	C	B	A	MATERIAL NO.	EMBOSSED PACKAGE	CIRCUIT

CONNECTOR SERIES No. 104060-**10

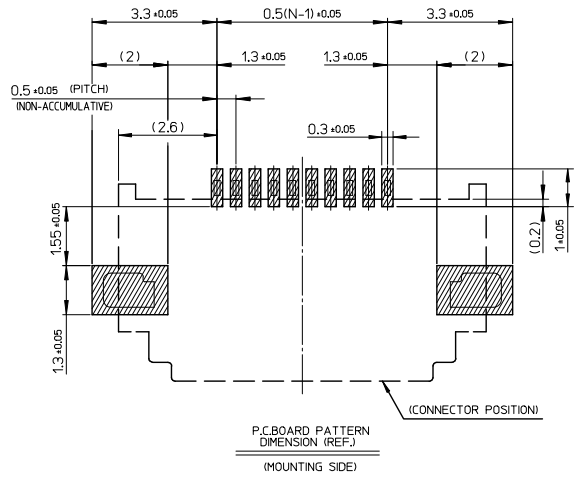
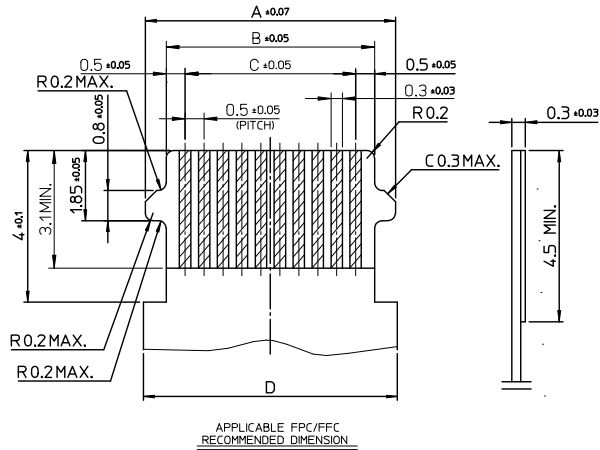
SCALE 1:1 DESIGN UNITS METRIC THIRD ANGLE PROJECTION

0.5 FFC E/O DUAL CONTACT HOUSING ASS'Y

MOLEX INCORPORATED

REVISIONS	EC NO. KOR2016-0118	2016/05/27	2016/05/30	2016/05/31	QUALITY SYMBOLS	GENERAL TOLERANCES (UNLESS SPECIFIED)	DIMENSION STYLE MM ONLY	DRAWN BY YR.KIM	DATE 2009/06/26	TITLE	0.5 FFC E/O DUAL CONTACT HOUSING ASS'Y	MATERIAL NO.	DOCUMENT NO. SD-104060-001	SHEET NO. 1 OF 3
B	CHKD:SKIM	2016/05/30	2016/05/31	2016/05/31	▽=0	4 PLACES ± --- ± ---	MM ONLY	CHECKED BY YS00.KIM	DATE 2009/06/26	APPROVED BY YS00.KIM	DATE 2009/06/26	SIZE A3	THIS DRAWING CONTAINS INFORMATION THAT IS PROPRIETARY TO MOLEX INCORPORATED AND SHOULD NOT BE USED WITHOUT WRITTEN PERMISSION	

10 9 8 7 6 5 4 3 2 1

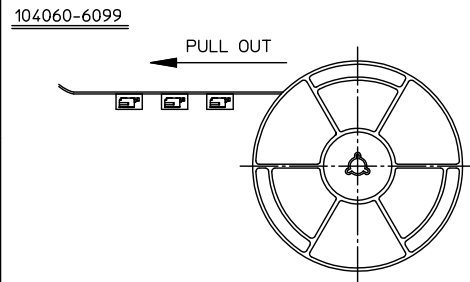
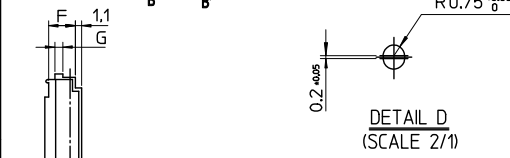
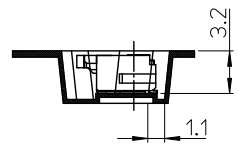
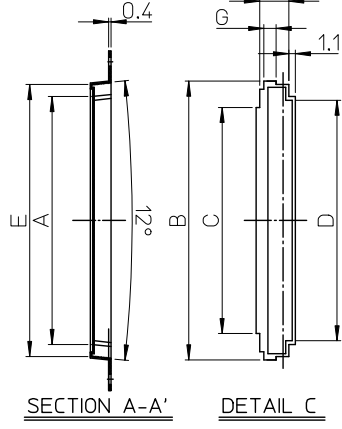
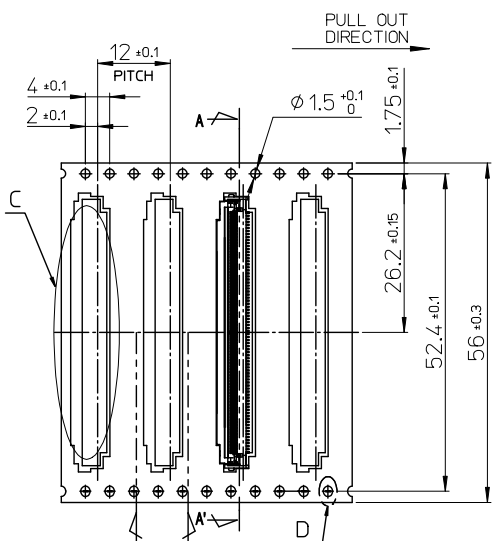


42.3	39.5	40.5	42.2	80
32.3	29.5	30.5	32.2	60
D	C	B	A	CIRCUIT

REVISED EC. NO.: KOR2016-0118 DRAWN: YR.KIM 2016/05/27 CHKD: SKIM 2016/05/30 APPR: YSK.MOZ 2016/05/31	QUALITY SYMBOLS ▽=0 ▽=0	GENERAL TOLERANCES (UNLESS SPECIFIED)		DIMENSION STYLE MM ONLY		SCALE 1:1	DESIGN UNITS METRIC	THIRD ANGLE PROJECTION	
		4 PLACES ± --- ± ---	3 PLACES ± --- ± ---	2 PLACES ± --- ± ---	1 PLACE ± 0.3 ± ---	ANGULAR ± 1 °	DRAWN BY YR.KIM	DATE 2009/06/26	TITLE 0.5 FFC E/O DUAL CONTACT HOUSING ASS'Y
B	DESCRIPTION	DRAFT WHERE APPLICABLE MUST REMAIN WITHIN DIMENSIONS		MATERIAL NO. SEE TABLE		MOLEX INCORPORATED		DOCUMENT NO. SD-104060-001	
				SIZE A3		THIS DRAWING CONTAINS INFORMATION THAT IS PROPRIETARY TO MOLEX INCORPORATED AND SHOULD NOT BE USED WITHOUT WRITTEN PERMISSION		SHEET NO. 2 OF 3	

9 8 7 6 5 4 3 2 1

10 9 8 7 6 5 4 3 2 1



NOTES

1. NUMBER OF CONNECTORS : 2,400PCS/REEL
2. LEAD TAPE LENGTH
3. FOR DIMENSIONS OF PRODUCT, REFER TO SD-104060-001.
4. MATERIAL
 CARRIER TAPE : POLYETHYLENE TEREPHTHALATE
 TOP TAPE : POLYETHYLENE TEREPHTHALATE , POLYETHYLENE REEL : POLYSTYRENE<RECYCLE MATERIAL CONTAINED>
5. ELV AND RoHS COMPLIANT
6. PEELING OFF FORCE OF COVER TAPE : 0.1N~0.59N(10.2GF~60GF)
 (PEELING DIRECTION AS SHOW IN FOLLOW FIG.)
 PEELING OFF SPEED : 300mm/Min.(Ref.)

35902-0021	104060-8099	2.0	4.8	44.9	39.7	37.3	46	44.9	104060-8017	80
35902-0021	104060-6099	1.4	4.7	34.65	29.7	27.7	35.8	30.9	104060-6017	60
COVER TAPE	EMBOSS TAPE	G	F	E	D	C	B	A	MATERIAL NO.	CIRCUIT

REVISED EC NO: KOR2016-0118 DRAWN: YR.KIM CHKD: SKIM APPR: YSK.MOZ 2016/05/27 2016/05/30 2016/05/31	QUALITY SYMBOLS ▽=0 ▽=0	GENERAL TOLERANCES (UNLESS SPECIFIED)		DIMENSION STYLE MM ONLY		SCALE 10:1	DESIGN UNITS METRIC	THIRD ANGLE PROJECTION		
		4 PLACES	± ---	± ---	DRAWN BY	DATE	TITLE 0.5 FFC E/O DUAL CONTACT HOUSING ASS'Y MOLEX INCORPORATED DOCUMENT NO. SD-104060-001 SHEET NO. 3 OF 3			
		3 PLACES	± ---	± ---	CHECKED BY	DATE				
		2 PLACES	± ---	± ---	APPROVED BY	DATE				
1 PLACE	± 0.3	± ---	MATERIAL NO.	DATE						
DRAFT WHERE APPLICABLE MUST REMAIN WITHIN DIMENSIONS		SEE TABLE		THIS DRAWING CONTAINS INFORMATION THAT IS PROPRIETARY TO MOLEX INCORPORATED AND SHOULD NOT BE USED WITHOUT WRITTEN PERMISSION						

9 8 7 6 5 4 3 2 1