

## Excellent Integrated System Limited

Stocking Distributor

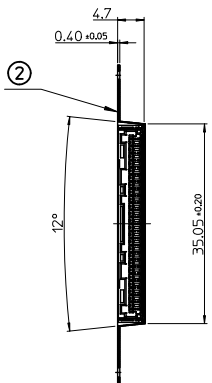
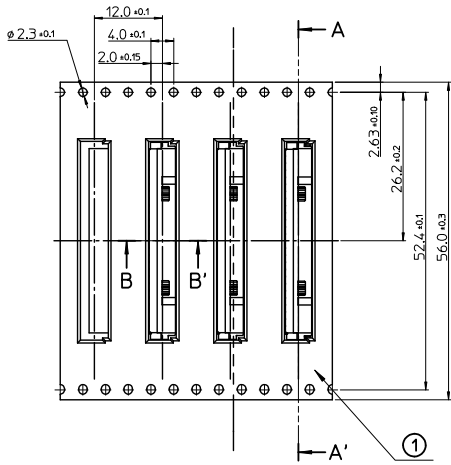
Click to view price, real time Inventory, Delivery & Lifecycle Information:

[Molex Connector Corporation](#)  
[1040912520](#)

For any questions, you can email us directly:

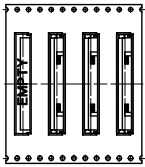
[sales@integrated-circuit.com](mailto:sales@integrated-circuit.com)

10 9 8 7 6 5 4 3 2 1

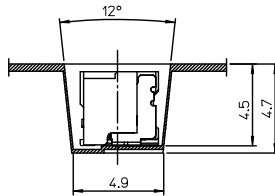


**SECTION A-A'**

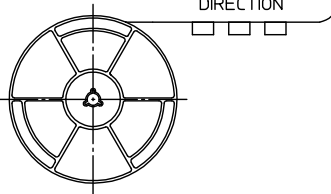
PULL OUT DIRECTION



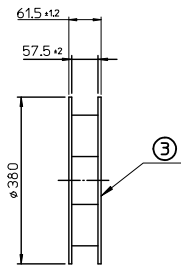
PULL OUT DIRECTION



**SECTION B-B'**  
SCALE 3/1



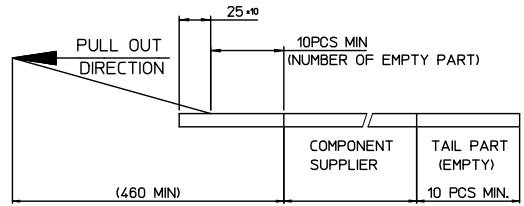
**PLASTIC BOBBIN**



**NOTES.**

1. QUANTITY OF CONNECTORS : 1,500 PCS/REEL

2. LEAD LENGTH



3. PEELING OFF FORCE OF COVER TAPE : 0.1N~0.59N(10.2GF~60GF)  
(PEELING DIRECTION AS SHOW IN FOLLOW FIG.)  
PEELING OFF SPEED : 300mm/Min.(Ref.)



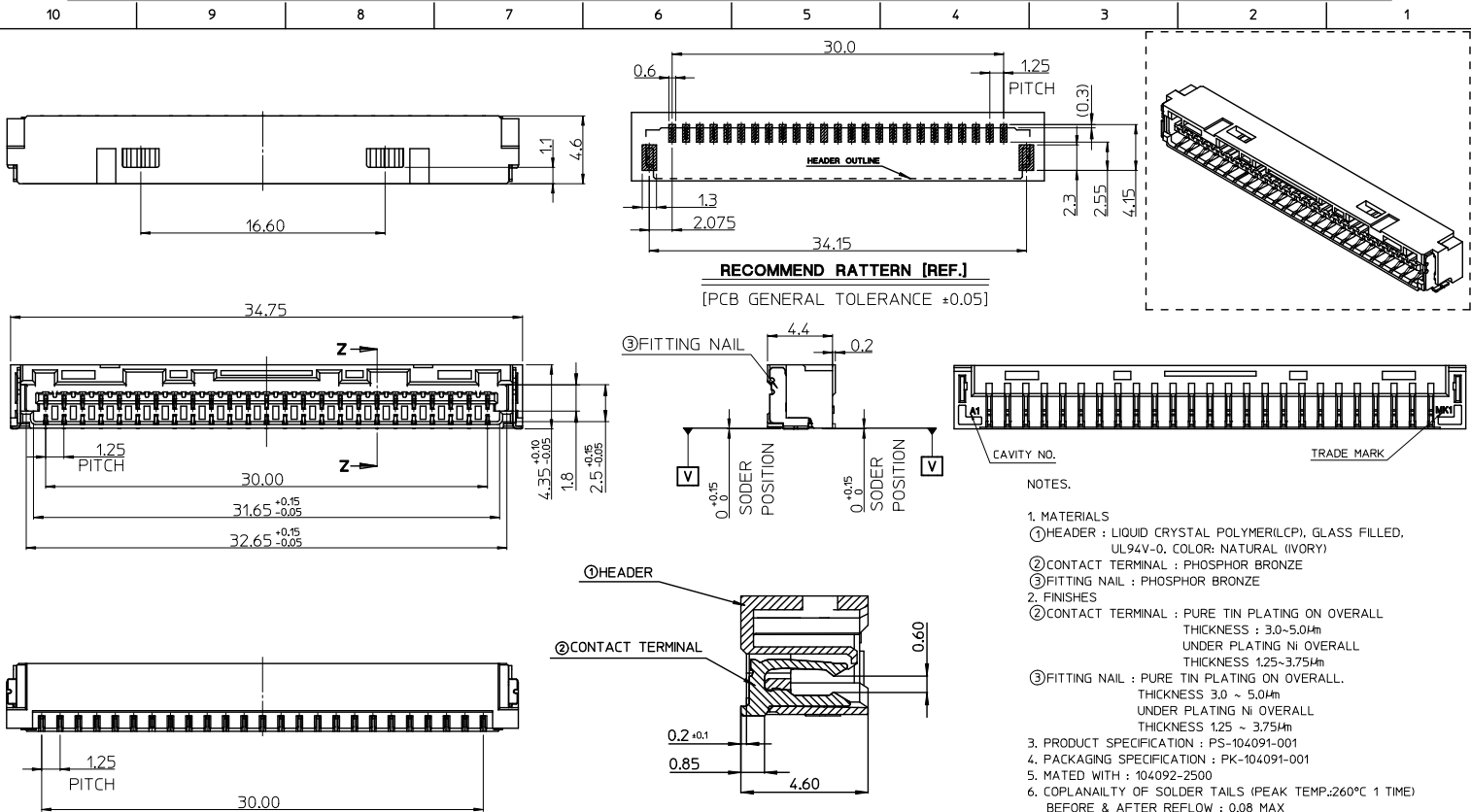
4. FLASH IN ANY PORTION SHOULD BE LESS THAN 0.20mm MAX.  
5. UNLESS OTHERWISE SPECIFIED INNER R 0.2MAX  
6. DRAFT ANGLE 3° MAX

3	PLASTIC BOBBIN	HI P.S	WHITE
2	COVER TAPE	PET ANTISTATIC	49.0 mm
1	CARRIER (EMBOSSD) TAPE	PET ANTISTATIC	104091-9905
NO	DESCRIPTION	MATERIAL	REMARK

**ORDER NO 104091-2520**

RELEASED EC NO: KOR2012-0127 DRWNSKCH CHKD:SHCHU APPR:YSKIM02 2012/07/09 2012/07/09 2012/08/06	QUALITY SYMBOLS ▽=0 ▽=0	GENERAL TOLERANCES (UNLESS SPECIFIED)		DIMENSION STYLE MM ONLY		SCALE 1/1	DESIGN UNITS METRIC	THIRD ANGLE PROJECTION
		4 PLACES ± --- ± --- 3 PLACES ± --- ± --- 2 PLACES ± 0.15 ± --- 1 PLACE ± 0.20 ± --- 0 PLACE ± --- ± ---	mm INCH ± --- ± --- ± 0.15 ± --- ± 0.20 ± --- ± --- ± ---	DRAWN BY SKCHO 2011/08/02	DATE 2011/08/02	TITLE 1.25 WTB CONN. R/A -25P HEADER ASS'Y EMBOSSD PACKAGE		
REV A	DESCRIPTION DRAFT WHERE APPLICABLE MUST REMAIN WITHIN DIMENSIONS	ANGULAR ± 5 °		MATERIAL NO. 1040912520	DATE 2012/08/06	DOCUMENT NO. SD-104091-012	SHEET NO. 1 OF 1	
		THIS DRAWING CONTAINS INFORMATION THAT IS PROPRIETARY TO MOLEX INCORPORATED AND SHOULD NOT BE USED WITHOUT WRITTEN PERMISSION						

9 8 7 6 5 4 3 2 1



- NOTES.
- MATERIALS
    - ①HEADER : LIQUID CRYSTAL POLYMER(LCP), GLASS FILLED, UL94V-0, COLOR: NATURAL (IVORY)
    - ②CONTACT TERMINAL : PHOSPHOR BRONZE
    - ③FITTING NAIL : PHOSPHOR BRONZE
  - FINISHES
    - ②CONTACT TERMINAL : PURE TIN PLATING ON OVERALL THICKNESS : 3.0-5.0μm UNDER PLATING Ni OVERALL THICKNESS 1.25-3.75μm
    - ③FITTING NAIL : PURE TIN PLATING ON OVERALL THICKNESS 3.0 ~ 5.0μm UNDER PLATING Ni OVERALL THICKNESS 1.25 ~ 3.75μm
  - PRODUCT SPECIFICATION : PS-104091-001
  - PACKAGING SPECIFICATION : PK-104091-001
  - MATED WITH : 104092-2500
  - COPLANALTY OF SOLDER TAILS (PEAK TEMP.:260°C 1 TIME) BEFORE & AFTER REFLOW : 0.08 MAX

RELEASED EC NO: KOR2012-0127 2012/07/09 DRAWN:SKCHU 2012/07/09 CHKD:SKCHU 2012/08/06 APPR:YSKIM02	QUALITY SYMBOLS ▽=0 ▽=0	GENERAL TOLERANCES (UNLESS SPECIFIED)	DIMENSION STYLE		SCALE	DESIGN UNITS	THIRD ANGLE PROJECTION	ORDER NO	104091-2520
			mm	INCH	4/1	METRIC	◎		
REV A	DESCRIPTION	4 PLACES ± --- ± ---	DRAWN BY	DATE	TITLE 1.25 WTB CONN. R/A -25P HEADER ASS'Y				
		3 PLACES ± --- ± ---	JHPARK	2011/04/03					
		2 PLACES ± 0.15 ± ---	CHECKED BY	DATE	MOLEX INCORPORATED				
		1 PLACE ± 0.20 ± ---	SHCHU	2011/04/03					
		ANGULAR ± 1 °	APPROVED BY	DATE	DOCUMENT NO. SD-104091-013				
			YSKIM02	2012/08/06					
		DRAFT WHERE APPLICABLE MUST REMAIN WITHIN DIMENSIONS	MATERIAL NO.	1040912520	SHEET NO. 1 OF 1				
			SIZE	A3					