

Excellent Integrated System Limited

Stocking Distributor

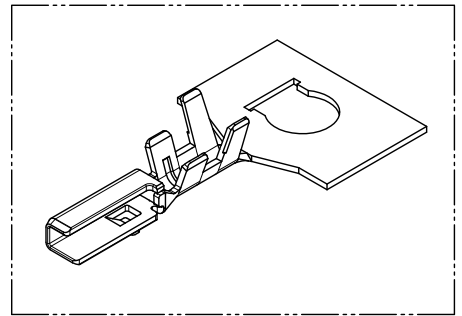
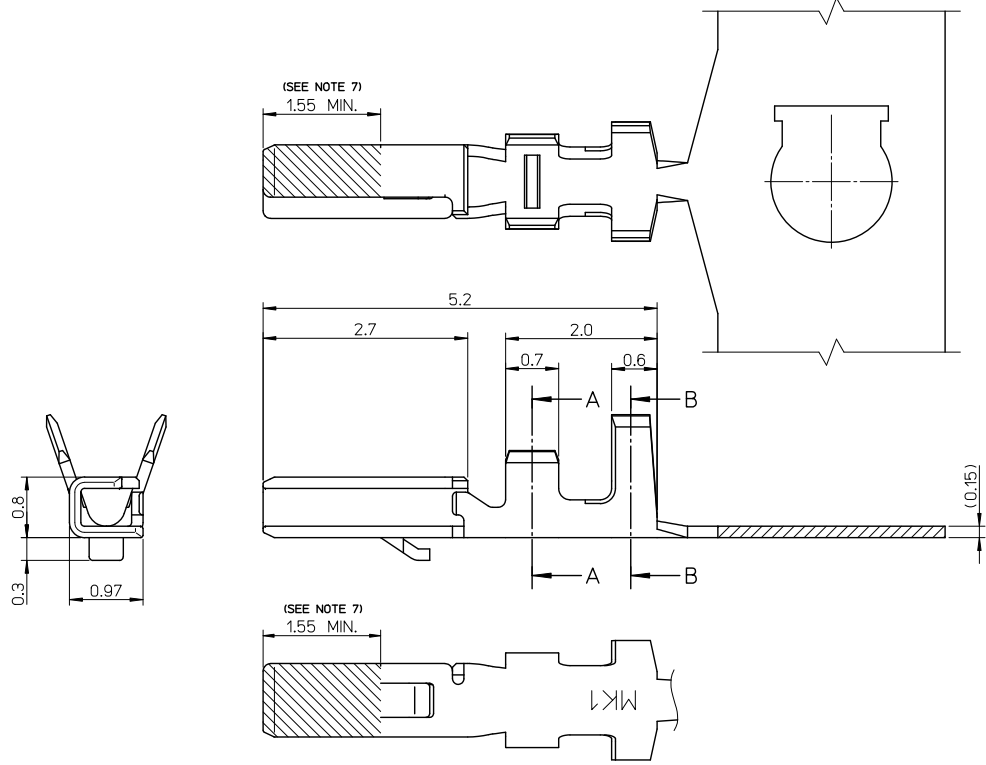
Click to view price, real time Inventory, Delivery & Lifecycle Information:

[Molex Connector Corporation](#)
[1045216001](#)

For any questions, you can email us directly:

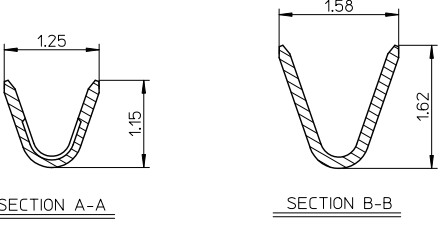
sales@integrated-circuit.com

10 9 8 7 6 5 4 3 2 1



NOTE

1. MATERIAL : COPPER ALLOY (t=0.15)
2. FINISH : REFLOWED PRE-PLATED TIN PLATING ON OVERALL THICKNESS 0.4µm Min, UNDER PLATING CU OVERALL THICKNESS 0.1 µm Min
3. APPLICABLE HOUSING : 104092,104105, 104121 SERIES
4. PACKAGING SPECIFICATION : PK-104521-001
5. CRIMPING SPECIFICATION : CS-104521-001
6. APPLICABLE CABLE WIRE RANGE : #26~#32'
7. PLEASE DON'T DAMAGE, DENT AND DON'T MAKE IT DIRTY. BECAUSE THE RANGE IN THE SHADED PORTION SHOWN IN FIGURE IS THE CONTACT AREA.



RELEASED
EC NO: KOR2011-0072
DRAWN BY: HTSONG 2011/08/09
CHKD: SHCHU 2011/08/10
APPR: YSKIM 2011/08/10

QUALITY SYMBOLS	DESCRIPTION
▽=0	
▽=0	

GENERAL TOLERANCES (UNLESS SPECIFIED)	
	mm INCH
4 PLACES	± 0.15 ± 0.006
3 PLACES	± 0.25 ± 0.010
2 PLACES	± 0.38 ± 0.015
1 PLACE	± 0.51 ± 0.020
ANGULAR ± 1°	

DIMENSION STYLE	
MM ONLY	
DRAWN BY	DATE
HTSONG	2010/08/09
CHECKED BY	DATE
SHCHU	2010/08/09
APPROVED BY	DATE
YSKIM	2010/08/09

SCALE	20:1
DESIGN UNITS	METRIC
THIRD ANGLE PROJECTION	

ORDER NO.	104521-6001
1.25 W/B CONN. PLUG TERMINAL	
MOLEX INCORPORATED	
MATERIAL NO.	1045216001
DOCUMENT NO.	SD-104521-001
SHEET NO.	1 OF 1

9 8 7 6 5 4 3 2 1