

## **Excellent Integrated System Limited**

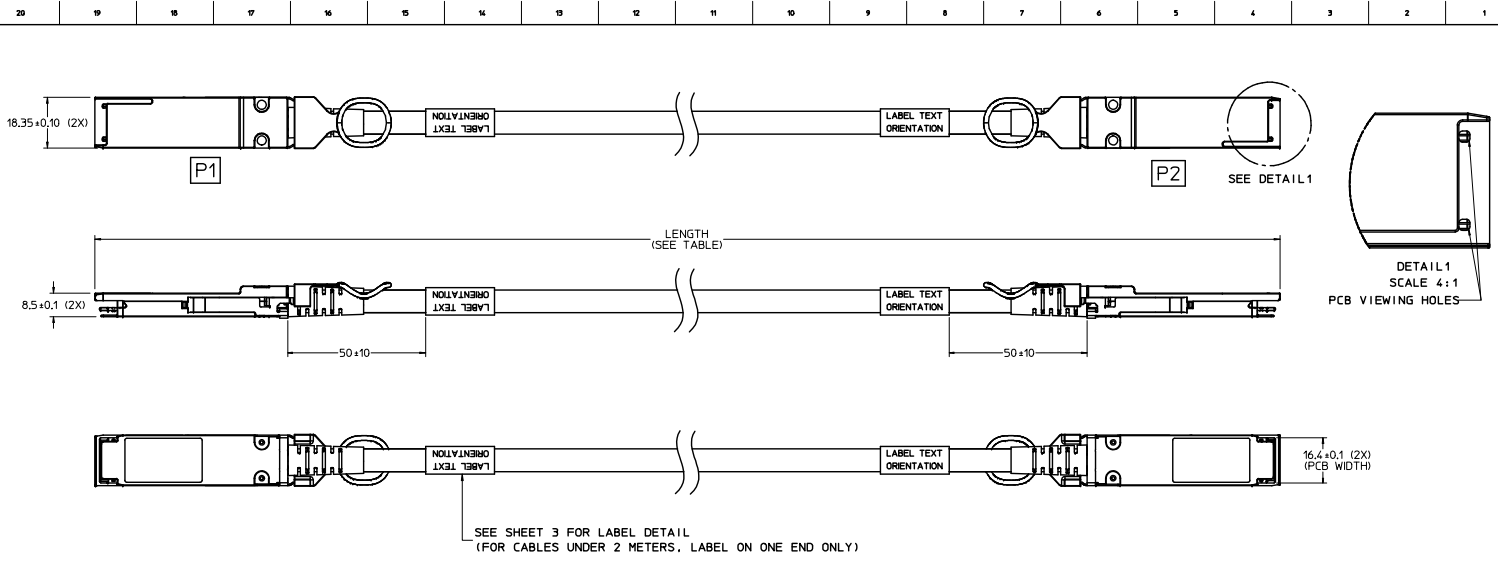
Stocking Distributor

Click to view price, real time Inventory, Delivery & Lifecycle Information:

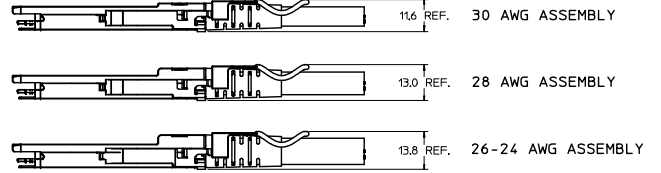
[Molex Connector Corporation](#)  
[1110402704](#)

For any questions, you can email us directly:

[sales@integrated-circuit.com](mailto:sales@integrated-circuit.com)



SEE SHEET 3 FOR P/N TABLE

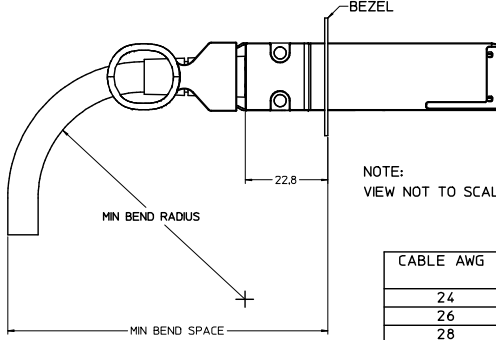
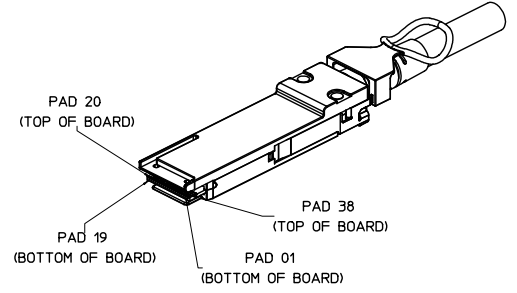


- NOTES:
- CABLE DISTANCE DEPENDS ON WIRE GAUGE, DATA RATE, AND HOST BOARD DRIVER CAPABILITIES
  - MATERIALS:
    - BACKSHELLS - ZINC DIE CAST WITH BRIGHT NICKEL PLATING
    - DELATCH - STAINLESS STEEL WITH OVERMOLDED NYLON
    - PCB - FR4
    - RIVETS - STAINLESS STEEL
  - IMPEDANCE - 100 OHMS DIFFERENTIAL
  - RoHS COMPLIANT, WITH EXEMPTIONS

SEE REVISION TABLE EC NO. 123456789 DRAWN/ENGR/AVE 20/04/09 CHECKED/APP/BAH/20/04/11 APPROVED/APP/BAH/20/04/11 REV. 1	QUALITY SYMBOLS	GENERAL TOLERANCES (UNLESS SPECIFIED)	DIMENSION STYLE	SCALE	DESIGN UNITS	THIRD ANGLE PROJECTION	
	4 PLACES ±---+--- 3 PLACES ±---+--- 2 PLACES ±0.13 ±--- 1 PLACE ±0.25 ±--- 0 PLACE ±---+---	mm INCH	MM ONLY	1:1	METRIC	DRAWN BY: HCHEN06_USY 2010/04/09 CHECKED BY: DATE APPROVED BY: DATE MATERIAL NO.	TITLE: QSFP+ COPPER PATCH CABLE ASSEMBLY DOCUMENT NO.: SD-111040-0001 SHEET NO.: 1 OF 3
	ANGULAR ±---+--- DRAFT WHERE APPLICABLE MUST REMAIN WITHIN DIMENSIONS	SEE P/N TABLE	SEE P/N TABLE	THIS DRAWING CONTAINS INFORMATION THAT IS PROPRIETARY TO MOLEX INCORPORATED AND SHOULD NOT BE USED WITHOUT WRITTEN PERMISSION			

WIRING DIAGRAM			
P1 END		P2 END	
PAD	SIGNAL	PAD	SIGNAL
01	GND (TX)	20	GND (RX)
02	TX2n	21	RX2n
03	TX2p	22	RX2p
04	GND (TX)	23	GND (RX)
05	TX4n	24	RX4n
06	TX4p	25	RX4p
07	GND (TX)	26	GND (RX)
08	ModSeLL	27	ModPrsL
09	ResetL	28	In1L
10	VccRx	29	VccTx
11	SCL	30	Vcc1
12	SDA	31	LPMode
13	GND (RX)	32	GND (TX)
14	RX3p	33	TX3p
15	RX3n	34	TX3n
16	GND (RX)	35	GND (TX)
17	RX1p	36	TX1p
18	RX1n	37	TX1n
19	GND (RX)	38	GND (TX)
20	GND (RX)	01	GND (TX)
21	RX2n	02	TX2n
22	RX2p	03	TX2p
23	GND (RX)	04	GND (TX)
24	RX4n	05	TX4n
25	RX4p	06	TX4p
26	GND (RX)	07	GND (TX)
27	ModPrsL	08	ModSeLL
28	In1L	09	ResetL
29	VccTx	10	VccRx
30	Vcc1	11	SCL
31	LPMode	12	SDA
32	GND (TX)	13	GND (RX)
33	TX3p	14	RX3p
34	TX3n	15	RX3n
35	GND (TX)	16	GND (RX)
36	TX1p	17	RX1p
37	TX1n	18	RX1n
38	GND (TX)	19	GND (RX)

LEGEND:  
 ---- = THRU LINES  
 ----> = TRANSMIT TO RECEIVE ON HIGH SPEED CIRCUITS  
 C = COMMON GROUND CONNECTION  
 NC = NOT CONNECTED  
 ■ = CONNECTION TO A DEVICE ON THE PCB



CABLE BEND RADIUS

CABLE AWG	MIN BEND RADIUS (mm)	MIN BEND SPACE (mm)
24	51	84
26	44	76
28	39	70
30	33	62

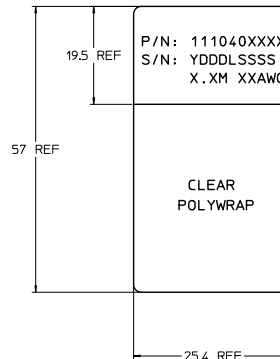
NOTES:  
 1. DC BLOCKING CAPS ON RECEIVE SIDE ONLY  
 2. CABLE COILED AND PACKAGED IN BEST FIT ESD BAG AND SEALED WITH ESD LABEL FOR SHIPPING

SEE REVISION TABLE EC NO. 1110402704-2009 DRAWN/ENGR/AVE 20/04/09 CHECKED/ENGR/AVE 20/04/09 APPROVED/APP/AVE 20/04/09 DESIGNED/DES/AVE 20/04/09	QUALITY SYMBOLS	GENERAL TOLERANCES (UNLESS SPECIFIED)	DIMENSION STYLE	SCALE	DESIGN UNITS	THIRD ANGLE PROJECTION
	∇=0	mm INCH	MM ONLY	1:1	METRIC	
	∇=0	4 PLACES ± ---	DRAWN BY	DATE	TITLE	
	∇=0	3 PLACES ± ---	BCHEN06_USY 2010/04/09	2010/04/09	QSFP+ COPPER PATCH CABLE ASSEMBLY	
	2 PLACES ± 0.13	CHECKED BY	DATE			
	1 PLACE ± 0.25	XLOYD 2010/04/09	2010/04/09			
	0 PLACE ±	APPROVED BY	DATE	DOCUMENT NO. SD-111040-0001		
	ANGULAR ± ---	RAHMOOD 2010/04/12	2010/04/12	SHEET NO. 2 OF 3		
DRAFT WHERE APPLICABLE MUST REMAIN WITHIN DIMENSIONS			SEE P/N TABLE	THIS DRAWING CONTAINS INFORMATION THAT IS PROPRIETARY TO MOLEX INCORPORATED AND SHOULD NOT BE USED WITHOUT WRITTEN PERMISSION		

PART NUMBER TABLE

MOLEX P/N	LENGTH (M)	LENGTH TOLERANCE (mm)	AWG
1110401044	0.35	±30	30
1110401054	0.5	±30	30
1110401074	0.75	±30	30
1110401104	1.0	±50	30
1110401204	2.0	±50	30
1110401304	3.0	±50	30
1110401324	3.2	±50	30
1110401404	4.0	±50	30
1110401504	5.0	±80	30
1110401704	7.0	±80	30
1110402054	0.5	±30	28
1110402104	1.0	±50	28
1110402204	2.0	±50	28
1110402304	3.0	±50	28
1110402404	4.0	±50	28
1110402504	5.0	±80	28
1110402604	6.0	±80	28
1110402704	7.0	±80	28
1110403054	0.5	±50	26
1110403104	1.0	±50	26
1110403204	2.0	±50	26
1110403304	3.0	±50	26
1110403404	4.0	±50	26
1110403504	5.0	±80	26
1110403604	6.0	±80	26
1110403704	7.0	±80	26
1110404054	0.5	±50	24
1110404104	1.0	±50	24
1110404204	2.0	±50	24
1110404304	3.0	±50	24
1110404404	4.0	±50	24
1110404504	5.0	±80	24
1110404604	6.0	±80	24
1110404704	7.0	±80	24
1110404804	8.0	±80	24
1110409010	10.0	±80	30
1110409011	10.0	±80	28
1110409012	10.0	±80	26
1110409013	10.0	±08	24
1110409018	15.0	±80	24

CABLE LABEL DETAIL



YDDDLSSSS

Y = YEAR, THE LAST DIGIT OF THE YEAR

DDD = DAY OF THE YEAR

L = LOCATION (1-US, 2-MEXICO, 3-CHINA)

SSSS = SERIAL NUMBER (0001-9999)

X.XM = LENGTH AS SHOWN IN P/N TABLE

XXAWG = AWG SIZE

SEE REVISION TABLE ECN NO. 022005-2009 DRAWN BY: ENGRAVE 2010/10/09 CHECKED: JAPANESE 2010/11/11 APPROVED: (signature) DATE:	QUALITY SYMBOLS	GENERAL TOLERANCES (UNLESS SPECIFIED)	DIMENSION STYLE	SCALE	DESIGN UNITS	THIRD ANGLE PROJECTION
	$\nabla=0$ $\nabla=0$ $\nabla=0$	mm INCH 4 PLACES ±--- ±--- 3 PLACES ±--- ±--- 2 PLACES ±0.13 ±--- 1 PLACE ±0.25 ±--- 0 PLACE ± ±	MM ONLY DRAWN BY: BICHEN06_USY 2010/04/09 CHECKED BY: DATE APPROVED BY: KLOYD 2010/04/09 APPROVED BY: DATE APPROVED BY: MAHMOOD 2010/04/12	1:1	METRIC	
	ANGULAR ±--- DRAFT WHERE APPLICABLE MUST REMAIN WITHIN DIMENSIONS	SEE P/N TABLE THIS DRAWING CONTAINS INFORMATION THAT IS PROPRIETARY TO MOLEX INCORPORATED AND SHOULD NOT BE USED WITHOUT WRITTEN PERMISSION	WATERMARK NO. DOCUMENT NO. SD-111040-0001	TITLE QSFP+ COPPER PATCH CABLE ASSEMBLY 		
				SHEET NO. 3 OF 3		