

Excellent Integrated System Limited

Stocking Distributor

Click to view price, real time Inventory, Delivery & Lifecycle Information:

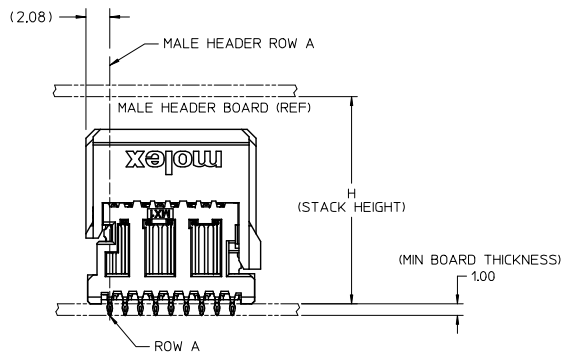
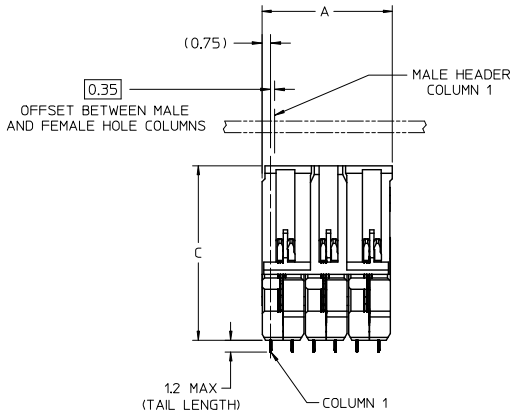
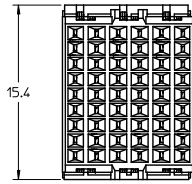
[Molex Connector Corporation](#)
[1704151818](#)

For any questions, you can email us directly:

sales@integrated-circuit.com

NOTES:

1. MATERIALS: HOUSING - LIQUID CRYSTAL POLYMER (LCP), GLASS-FILLED, UL94V-0
TERMINALS - HIGH PERFORMANCE COPPER ALLOY
2. FINISH: 30µIN SELECTIVE GOLD IN CONTACT AREA. SELECTIVE MATTE TIN OR SELECTIVE TIN/LEAD ON PCB TAILS. NICKEL OVERALL.
3. EACH SIGNAL WAFER CONTAINS 2 COLUMNS OF TERMINALS.
4. PRODUCT SHALL BE PACKAGED PER PK-70873-0050 (18mm), PK-70873-0051 (22mm).
5. FOR FURTHER INFORMATION SEE PRODUCT SPECIFICATION PS-76060-999.
6. THIS PART CONFORMS TO CLASS B REQUIREMENTS OF COSMETIC SPEC PS-45499-002.
7. REFER TO MOLEX SALES DRAWING SD-76165-001 AND CUSTOM PIN-OUT SERIES 76162 FOR THE MATING HEADERS.
8. REFER TO MOLEX PCB ROUTING GUIDE AS-76060-990 FOR ANTIPAD AND ROUTING RECOMMENDATIONS.
9. *THESE DIMENSIONS REPRESENT THE AREA NEEDED TO ACCOMMODATE CONNECTOR INSERTION & REPAIR ON THE PC BOARD. THIS IS REFERRED TO AS THE "CONNECTOR KEEP OUT ZONE" AND DOES NOT REPRESENT THE ACTUAL PERIMETER OF THE CONNECTOR. WHEN LAYING OUT A PC BOARD WITH CONNECTORS STACKED TOGETHER, USE A 1.90mm PROGRESSION.*



ADDED PIN A1 LOGS DEC NO: UCP2014-4720 DRAWN BY: DRINKRAUSE 2014/05/12 CHKD: TELLO APPR: TELLO 2014/05/13 REV B2	QUALITY SYMBOLS ∇=0 ∇=0 ∇=0	GENERAL TOLERANCES (UNLESS SPECIFIED)		DIMENSION STYLE MM ONLY		SCALE 4:1	DESIGN UNITS METRIC	THIRD ANGLE PROJECTION	
		4 PLACES ± --- ± --- 3 PLACES ± --- ± --- 2 PLACES ± 0.10 ± --- 1 PLACE ± 0.25 ± --- ANGULAR ± 1/2°	DRAWN BY TPREMO DATE 2011/01/18	CHECKED BY JJONIAK DATE 2011/01/18	APPROVED BY JBINGHAM DATE 2011/04/04	TITLE IMPACT 3-PAIR VERTICAL MEZZANINE UNGUIDED SALES DWG		MOLEX INCORPORATED	
DRAFT WHERE APPLICABLE MUST REMAIN WITHIN DIMENSIONS		SEE SHEET 2		THIS DRAWING CONTAINS INFORMATION THAT IS PROPRIETARY TO MOLEX INCORPORATED AND SHOULD NOT BE USED WITHOUT WRITTEN PERMISSION		DOCUMENT NO. SD-170415-001			

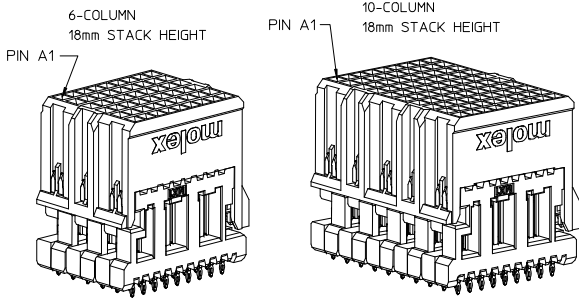
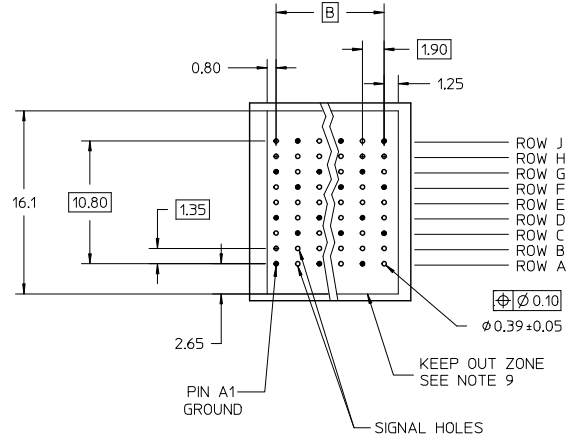
PART NUMBER	# OF COLUMNS	# OF DIFF PAIR	DIM 'A'	DIM 'B'	DIM 'C'	STACK HEIGHT (H)
170415-1618	6	18	11.4	9.50	15.36	18.00
170415-1818	8	24	15.2	13.30	15.36	18.00
170415-1118	10	30	19.0	17.10	15.36	18.00
170415-1918	16	48	30.4	28.50	15.36	18.00
170415-1622	6	18	11.4	9.50	19.36	22.00
170415-1822	8	24	15.2	13.30	19.36	22.00
170415-1122	10	30	19.0	17.10	19.36	22.00
170415-1922	16	48	30.4	28.50	19.36	22.00

170415-1***

1 = OPEN LEAD-FREE

STACK HEIGHT
18 = 18mm
22 = 22mm

OF COLUMNS
6 = 6 COL 0.39 PTH
8 = 8 COL 0.39 PTH
1 = 10 COL 0.39 PTH
9 = 16 COL 0.39 PTH



SEE SHEET 1 DEC NO: UCP2014-4720 DRAWN/RAISED: 2014/05/12 CHKD: JHKKD APPR: TELD 2014/05/13	QUALITY SYMBOLS ∇=0 ∇=0 ∇=0	GENERAL TOLERANCES (UNLESS SPECIFIED)		DIMENSION STYLE MM ONLY		SCALE 4:1	DESIGN UNITS METRIC	THIRD ANGLE PROJECTION		
		4 PLACES ± --- ± --- 3 PLACES ± --- ± --- 2 PLACES ± 0.10 ± --- 1 PLACE ± 0.25 ± --- ANGULAR ± 1/2°	DRAWN BY TPREMO DATE 2011/01/18	CHECKED BY JJONIAK DATE 2011/01/18		APPROVED BY JBINGHAM DATE 2011/04/04		TITLE IMPACT 3-PAIR VERTICAL MEZZANINE UNGUIDED SALES DWG		
DRAFT WHERE APPLICABLE MUST REMAIN WITHIN DIMENSIONS		MATERIAL NO. SEE CHART		DOCUMENT NO. SD-170415-001		MOLEX INCORPORATED				
REV B2		SIZE C		THIS DRAWING CONTAINS INFORMATION THAT IS PROPRIETARY TO MOLEX INCORPORATED AND SHOULD NOT BE USED WITHOUT WRITTEN PERMISSION						SHEET NO. 2 OF 2