

## Excellent Integrated System Limited

Stocking Distributor

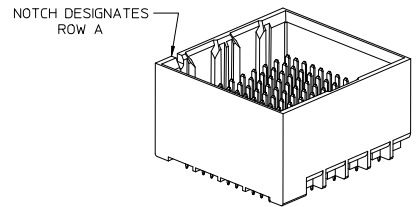
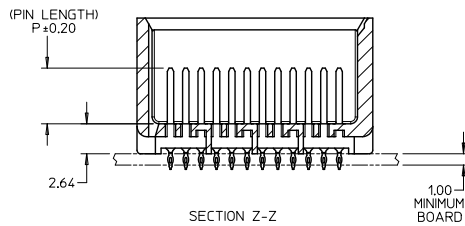
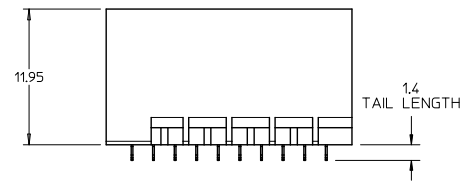
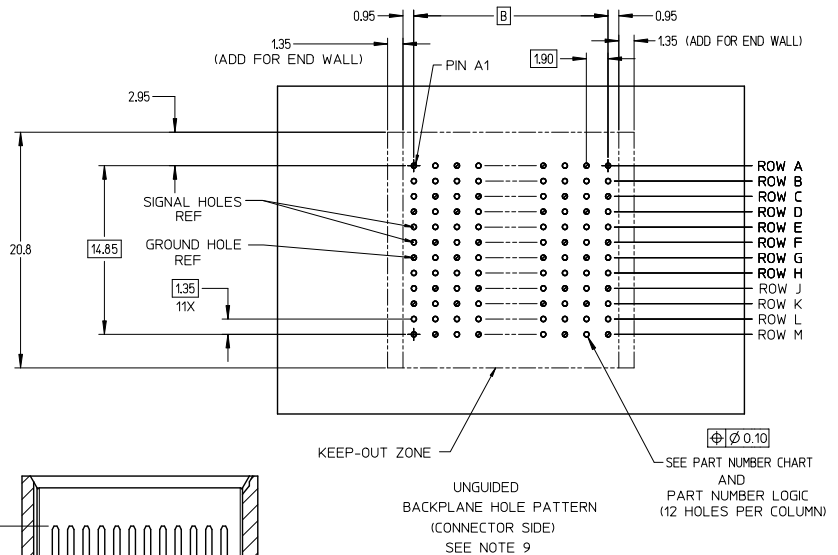
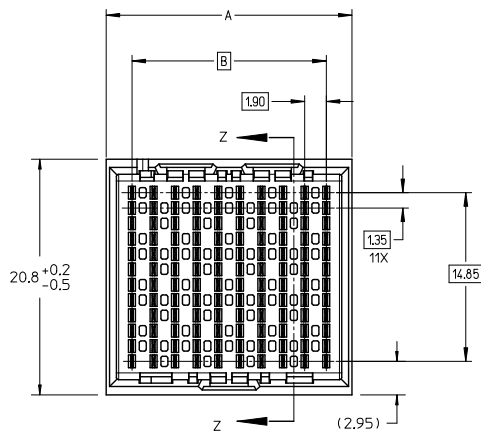
Click to view price, real time Inventory, Delivery & Lifecycle Information:

[Molex Connector Corporation](#)

[1712941804](#)

For any questions, you can email us directly:

[sales@integrated-circuit.com](mailto:sales@integrated-circuit.com)

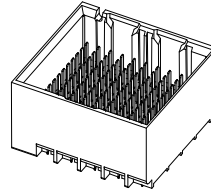


- NOTES:
1. MATERIALS: HOUSING - LIQUID CRYSTAL POLYMER (LCP)  
GLASS-FILLED, UL94V-0  
TERMINALS - HIGH PERFORMANCE COPPER ALLOY
  2. FINISH: 10 MNCH MIN GOLD IN CONTACT AREA.  
SELECTIVE MATTE TIN (LEAD-FREE) ON PCB TAILS, NICKEL OVERALL.
  3. REFER TO MOLEX PRODUCT SPECIFICATION PS-76060-999  
FOR PERFORMANCE SPECIFICATIONS AND ADDITIONAL PCB INFORMATION.
  4. THIS PART CONFORMS TO CLASS B REQUIREMENTS OF MOLEX  
COSMETIC SPEC PS-45499-002.
  5. PARTS PACKAGED PER PK-70873-7701.
  6. SEE SHEETS 2 & 3 FOR PART NUMBERS AND BOARD RELATIONSHIPS.
  7. MATES WITH IMPACT DC SERIES NO. 76160.
  8. REFER TO MOLEX PCB ROUTING GUIDE AS-76060-990 FOR ANTI PAD AND  
ROUTING RECOMMENDATIONS.
  9. \*THESE DIMENSIONS REPRESENT THE AREA NEEDED TO ACCOMMODATE CONNECTOR  
INSERTION AND REPAIR ON THE PC BOARD. THIS IS REFERRED TO AS THE  
'CONNECTOR KEEP OUT ZONE' AND DOES NOT REPRESENT THE ACTUAL PERIMETER  
OF THE CONNECTOR. WHEN LAYING OUT A PC BOARD FOR CONNECTORS STACKED  
TOGETHER, USE A 1.9mm PROGRESSION.\*

MINOR CHANGE EC NO: UCP-2012-3822 DRAWN BY: J.BINGHAM CHKD: JLAURX APPROVED: JLAURX DATE: 2012/05/22	DESCRIPTION 2012/06/04	QUALITY SYMBOLS	GENERAL TOLERANCES (UNLESS SPECIFIED)		DIMENSION STYLE MM ONLY		SCALE 4:1	DESIGN UNITS METRIC	THIRD ANGLE PROJECTION
			mm	INCH	DRAWN BY J.BINGHAM	DATE 2011/11/17	TITLE IMPACT 4 PAIR BACKPLANE UNGUIDED ASSEMBLY SALES DRAWING		
B	REV		4 PLACES	±	---	CHECKED BY JLAURX	DATE 2011/11/17	molex	
			3 PLACES	±	---	APPROVED BY JLAURX	DATE 2011/12/02		
			2 PLACES	±	0.13	MATERIAL NO.		DOCUMENT NO.	SHEET NO.
			1 PLACE	±	0.25	SEE CHART		SD-171294-0001	1 OF 3
			0 PLACE	±	---	THIS DRAWING CONTAINS INFORMATION THAT IS PROPRIETARY TO MOLEX INCORPORATED AND SHOULD NOT BE USED WITHOUT WRITTEN PERMISSION			
			ANGULAR ±1/2°						
			DRAFT WHERE APPLICABLE MUST REMAIN WITHIN DIMENSIONS						

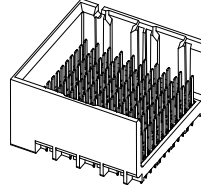
PART NUMBER CHART

MATERIAL NUMBER	# OF COLUMNS	# OF DIFF PAIR	DIM "A"	DIM "B"	DUAL END WALL OPTION
171294-132*	6	24	14.1	9.50	
171294-182*	8	32	17.9	13.30	
171294-112*	10	40	21.7	17.10	
171294-162*	16	64	33.1	28.50	



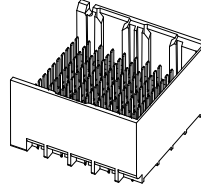
DUAL END  
WALL OPTION

MATERIAL NUMBER	# OF COLUMNS	# OF DIFF PAIR	DIM "A"	DIM "B"	LEFT END WALL OPTION
171294-131*	6	24	12.7	9.50	
171294-181*	8	32	16.5	13.30	
171294-111*	10	40	20.3	17.10	
171294-161*	16	64	31.7	28.50	



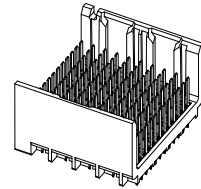
LEFT END  
WALL OPTION

MATERIAL NUMBER	# OF COLUMNS	# OF DIFF PAIR	DIM "A"	DIM "B"	RIGHT END WALL OPTION
171294-133*	6	24	12.7	9.50	
171294-183*	8	32	16.5	13.30	
171294-113*	10	40	20.3	17.10	
171294-163*	16	64	31.7	28.50	



RIGHT END  
WALL OPTION

MATERIAL NUMBER	# OF COLUMNS	# OF DIFF PAIR	DIM "A"	DIM "B"	OPEN WALL OPTION
171294-130*	6	24	11.3	9.50	
171294-180*	8	32	15.1	13.30	
171294-110*	10	40	18.9	17.10	
171294-160*	16	64	30.4	28.50	



OPEN  
WALL OPTION

PART NUMBER LOGIC

171294-\*\*\*\*

MODULE TYPE  
1 = UNGUIDED, MATTE TIN

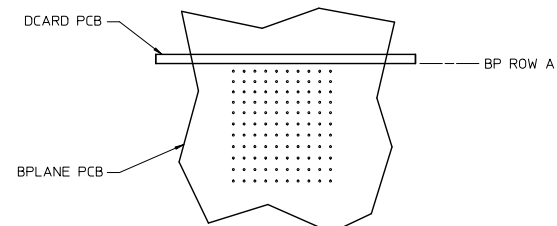
# OF COLUMNS  
1 = 10 COL  
3 = 6 COL  
6 = 16 COL  
8 = 8 COL

END WALL OPTIONS  
0 = OPEN ENDS  
1 = LEFT END WALL  
2 = DUAL END WALL  
3 = RIGHT END WALL

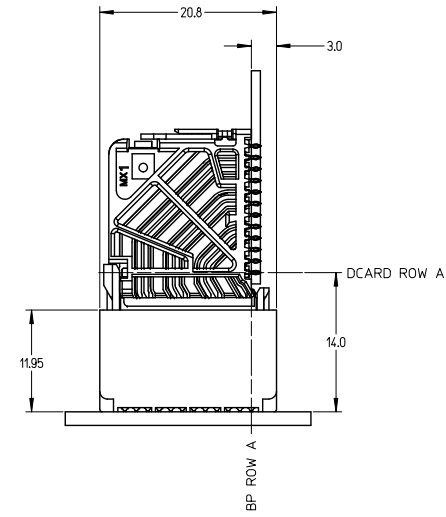
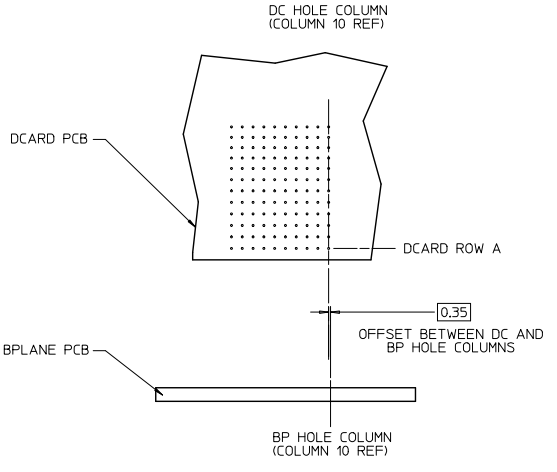
PIN LENGTH (P)  
3 = 4.50 (SHORT COMPLIANT, 0.46+0.05 PTH)  
4 = 4.90 (SHORT COMPLIANT, 0.46+0.05 PTH)  
5 = 5.50 (SHORT COMPLIANT, 0.46+0.05 PTH)  
6 = 4.50 (MICRO COMPLIANT, 0.39+0.05 PTH)  
7 = 4.90 (MICRO COMPLIANT, 0.39+0.05 PTH)  
8 = 5.50 (MICRO COMPLIANT, 0.39+0.05 PTH)

SEE SHEET 1 IEC NO: UCP2012-3822 DRAWING NO: 2012/05/22 CHKD: APPR: M. NELSON 2012/06/04	QUALITY SYMBOLS □=0 ▽=0 ▽=0	GENERAL TOLERANCES (UNLESS SPECIFIED) mm INCH 4 PLACES ± --- ± --- 3 PLACES ± --- ± --- 2 PLACES ± 0.13 ± --- 1 PLACE ± 0.25 ± --- 0 PLACE ± ±	DIMENSION STYLE MM ONLY DRAWN BY: JBINGHAM DATE: 2011/11/17 CHECKED BY: JLAURX DATE: 2011/11/17 APPROVED BY: JLAURX DATE: 2011/12/02	SCALE: 2.5:1 DESIGN UNITS: METRIC THIRD ANGLE PROJECTION	TITLE: IMPACT 4 PAIR BACKPLANE UNGUIDED ASSEMBLY SALES DRAWING <b>molex</b>	MATERIAL NO. SEE CHART DOCUMENT NO. SD-171294-0001 SHEET NO. 2 OF 3

J  
I  
H  
G  
F  
E  
D  
C  
B  
A



IMPACT 4 PAIR  
BOARD RELATIONSHIPS



SEE SHEET 1 EC NO: UCP2012-3822 DRAWN BY: J.B. INGHAM DATE: 2011/05/22 CHKD: JLAURX APPROVED BY: JLAURX DATE: 2012/06/04	QUALITY SYMBOLS ▽=0 ▽=0 ▽=0	GENERAL TOLERANCES (UNLESS SPECIFIED)		DIMENSION STYLE MM ONLY		SCALE 3:1	DESIGN UNITS METRIC	THIRD ANGLE PROJECTION	
		4 PLACES ± --- ± ---	3 PLACES ± --- ± ---	2 PLACES ± 0.13 ± ---	1 PLACE ± 0.25 ± ---	0 PLACE ± ±	ANGULAR ± 1/2°	DRAFT WHERE APPLICABLE MUST REMAIN WITHIN DIMENSIONS	SEE CHART
				DRAWN BY: J.B. INGHAM DATE: 2011/11/17		CHECKED BY: JLAURX DATE: 2011/11/17		APPROVED BY: JLAURX DATE: 2011/12/02	
				MATERIAL NO.		DOCUMENT NO.		SHEET NO.	
				SD-171294-0001		3 OF 3			

J  
I  
H  
G  
F  
E  
D  
C  
B  
A