

Excellent Integrated System Limited

Stocking Distributor

Click to view price, real time Inventory, Delivery & Lifecycle Information:

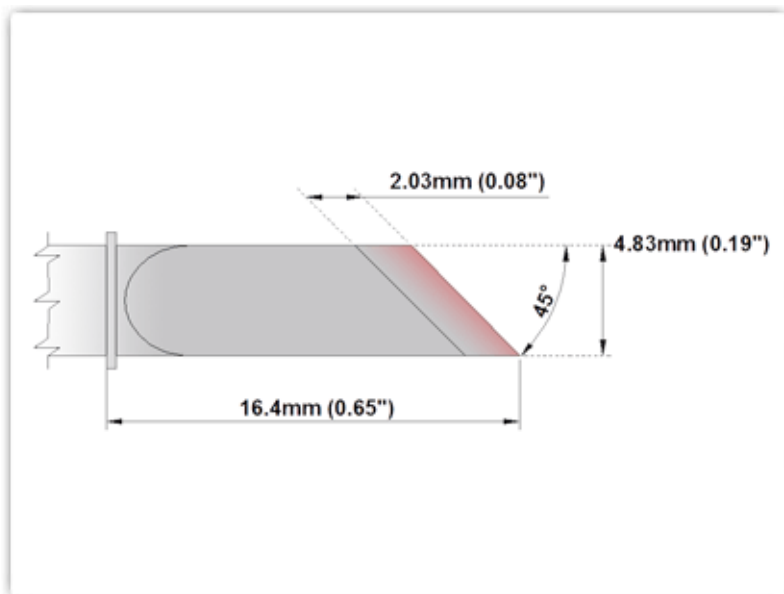
[Easy Braid Co.](#)
[EK70TZ025](#)

For any questions, you can email us directly:
sales@integrated-circuit.com



EK70TZ025 Datasheet

Technical Specifications



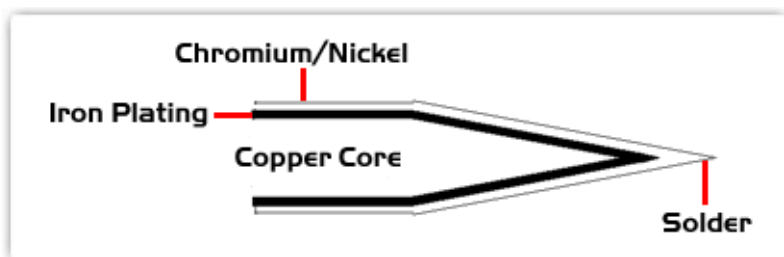
EK70TZ025

Tweezers Cartridge Pair - Knife Tinned area 2.03mm (0.08")

Tip Style: Tweezers
 Tip Width: 4.83mm (0.19")
 Tip Length: 16.40mm (0.65")

700 Type Cartridge ¹ :	350°C - 398°C
RoHS Compliant ² / Lead Free:	YES
For Use With:	EB-2000PS, EB-2000S-K, EB-2000S-KM, EB-2000S-P, EB-2000S-PM, EB-2000S-SM, EB-2000S-DT, EB-2000S-TZ

Material Composition



All components are RoHS compliant and Lead-Free.

¹ Easy Braid Co. tip cartridges will typically idle within a temperature range of +/-1.1°C. However, there is variation in idle temperature across tip geometries within an individual temperature series. Easy Braid Co. offers a wide variety of tip geometries from 0.25mm fine point tip to 5mm chisel. The length and geometry of a tip will have an influence on the tip idle temperature. To accurately measure idle temperature it will depend greatly on the measurement method, technique and equipment used. Two different methods or the use of alternative equipment will produce different test results.

² Please refer to <http://www.rohs.gov.uk> for details on RoHS Compliance.