



Excellent Integrated System Limited

Stocking Distributor

Click to view price, real time Inventory, Delivery & Lifecycle Information:

[Sullins Connector Solutions](#)
[SBH31-NBPB-D03-RA-BK](#)

For any questions, you can email us directly:

sales@integrated-circuit.com

PART NUMBER CODING

SBH31-NBPB-D-RA-

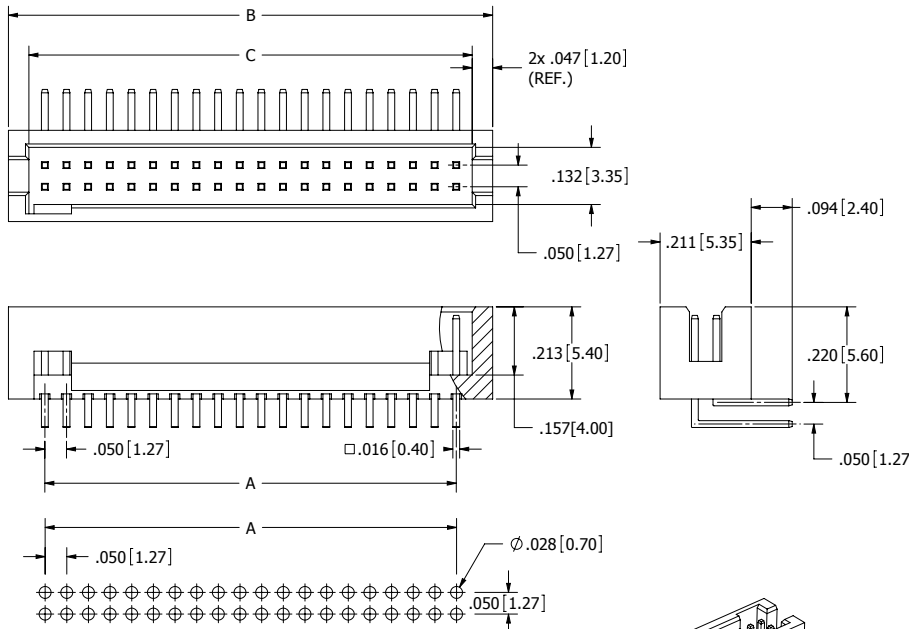
NUMBER OF POSITIONS
(CONTACTS PER ROW)

COLOR
BK= BLACK
YE= YELLOW
RE= RED
BL= BLUE
GR= GREEN
GY= GREY
WH= WHITE
OR= ORANGE

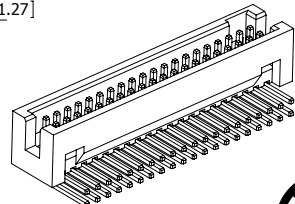
TERMINATION
RIGHT ANGLE

REVISIONS				
REV.	ECO. NO	DESCRIPTION	DATE	BY
A	1682	INITIAL RELEASE	05/19/2008	VJ
B	1852	UPDATE DIM "C", TABLE, NOTE 3 & TOLERANCE BLOCK	11/13/2008	JH
C	2106	ADD BOX INSIDE DEPTH 4.0mm, NOTE 10, MATED COMPONENTS & HEIGHT ON SHEET 2 & UPDATE AVAILABLE POSITION NUMBERS.	04/22/2010	LH

PART NUMBER	POSITIONS/ CONTACTS	A		B		C	
		INCH	MM	INCH	MM	INCH	MM
SBH31-NBPB-D03-RA-	03/06	0.100	2.54	0.268	6.81	0.174	4.41
SBH31-NBPB-D04-RA-	04/08	0.150	3.81	0.318	8.08	0.224	5.68
SBH31-NBPB-D05-RA-	05/10	0.200	5.08	0.368	9.35	0.274	6.95
SBH31-NBPB-D06-RA-	06/12	0.250	6.35	0.418	10.62	0.324	8.22
SBH31-NBPB-D07-RA-	07/14	0.300	7.62	0.468	11.89	0.374	9.49
SBH31-NBPB-D08-RA-	08/16	0.350	8.89	0.518	13.16	0.424	10.76
SBH31-NBPB-D09-RA-	09/18	0.400	10.16	0.568	14.43	0.474	12.03
SBH31-NBPB-D10-RA-	10/20	0.450	11.43	0.618	15.70	0.524	13.30
SBH31-NBPB-D11-RA-	11/22	0.500	12.70	0.668	16.97	0.574	14.57
SBH31-NBPB-D12-RA-	12/24	0.550	13.97	0.718	18.24	0.624	15.84
SBH31-NBPB-D13-RA-	13/26	0.600	15.24	0.768	19.51	0.674	17.11
SBH31-NBPB-D14-RA-	14/28	0.650	16.51	0.818	20.78	0.724	18.38
SBH31-NBPB-D15-RA-	15/30	0.700	17.78	0.868	22.05	0.774	19.65
SBH31-NBPB-D16-RA-	16/32	0.750	19.05	0.918	23.32	0.824	20.92
SBH31-NBPB-D17-RA-	17/34	0.800	20.32	0.968	24.59	0.874	22.19
SBH31-NBPB-D18-RA-	18/36	0.850	21.59	1.018	25.86	0.924	23.46
SBH31-NBPB-D19-RA-	19/38	0.900	22.86	1.068	27.13	0.974	24.73
SBH31-NBPB-D20-RA-	20/40	0.950	24.13	1.118	28.40	1.024	26.00
SBH31-NBPB-D21-RA-	21/42	1.000	25.40	1.168	29.67	1.074	27.27
SBH31-NBPB-D22-RA-	22/44	1.050	26.67	1.218	30.94	1.124	28.54
SBH31-NBPB-D23-RA-	23/46	1.100	27.94	1.268	32.21	1.174	29.81
SBH31-NBPB-D24-RA-	24/48	1.150	29.21	1.318	33.48	1.224	31.08
SBH31-NBPB-D25-RA-	25/50	1.200	30.48	1.368	34.75	1.274	32.35
SBH31-NBPB-D26-RA-	26/52	1.250	31.75	1.418	36.02	1.324	33.62
SBH31-NBPB-D27-RA-	27/54	1.300	33.02	1.468	37.29	1.374	34.89
SBH31-NBPB-D28-RA-	28/56	1.350	34.29	1.518	38.56	1.424	36.16
SBH31-NBPB-D29-RA-	29/58	1.400	35.56	1.568	39.83	1.474	37.43
SBH31-NBPB-D30-RA-	30/60	1.450	36.83	1.618	41.10	1.524	38.70
SBH31-NBPB-D31-RA-	31/62	1.500	38.10	1.668	42.37	1.574	39.97
SBH31-NBPB-D32-RA-	32/64	1.550	39.37	1.718	43.64	1.624	41.24
SBH31-NBPB-D33-RA-	33/66	1.600	40.64	1.768	44.91	1.674	42.51
SBH31-NBPB-D34-RA-	34/68	1.650	41.91	1.818	46.18	1.724	43.78
SBH31-NBPB-D35-RA-	35/70	1.700	43.18	1.868	47.45	1.774	45.05
SBH31-NBPB-D36-RA-	36/72	1.750	44.45	1.918	48.72	1.824	46.32
SBH31-NBPB-D37-RA-	37/74	1.800	45.72	1.968	49.99	1.874	47.59
SBH31-NBPB-D38-RA-	38/76	1.850	46.99	2.018	51.26	1.924	48.86
SBH31-NBPB-D39-RA-	39/78	1.900	48.26	2.068	52.53	1.974	50.13
SBH31-NBPB-D40-RA-	40/80	1.950	49.53	2.118	53.80	2.024	51.40
SBH31-NBPB-D41-RA-	41/82	2.000	50.80	2.168	55.07	2.074	52.67
SBH31-NBPB-D42-RA-	42/84	2.050	52.07	2.218	56.34	2.124	53.94
SBH31-NBPB-D43-RA-	43/86	2.100	53.34	2.268	57.61	2.174	55.21
SBH31-NBPB-D44-RA-	44/88	2.150	54.61	2.318	58.88	2.224	56.48
SBH31-NBPB-D45-RA-	45/90	2.200	55.88	2.368	60.15	2.274	57.75
SBH31-NBPB-D46-RA-	46/92	2.250	57.15	2.418	61.42	2.324	59.02
SBH31-NBPB-D47-RA-	47/94	2.300	58.42	2.468	62.69	2.374	60.29
SBH31-NBPB-D48-RA-	48/96	2.350	59.69	2.518	63.96	2.424	61.56
SBH31-NBPB-D49-RA-	49/98	2.400	60.96	2.568	65.23	2.474	62.83
SBH31-NBPB-D50-RA-	50/100	2.450	62.23	2.618	66.50	2.524	64.10



RECOMMENDED PCB LAYOUT



- NOTES:
- INSULATOR MATERIAL: NYLON 6T, UL 94V-0. COLOR: SEE PART NUMBER CODING.
 - CONTACT MATERIAL: BRASS.
 - CONTACT PLATING: GOLD FLASH OVERALL.
 - OPERATING TEMPERATURE: -40° C TO + 85° C.
 - PROCESSING TEMP.: 230° C FOR 60 SECONDS MAX. (260° C, 10 SEC.)
 - CONTACT RESISTANCE: 20 MILLIOHMS MAX.
 - CURRENT RATING: 1 AMP PER CONTACT.
 - DIELECTRIC WITHSTANDING: 500 V AC.
 - INSULATOR RESISTANCE: 1000 MEGOHMS MIN.
 - MATES WITH SPH31 FEMALE HEADER SERIES.



RoHS COMPLIANT

UNLESS OTHERWISE SPECIFIED:
DIMENSIONS ARE IN INCHES(MM)
TOLERANCES:
ANGULAR: $\pm 1^\circ$
XXX+ .008 [0.20]
XXX+ .004 [0.10]
SURFACE FINISH: #3 RD
REMOVE ALL BURS AND SHARP EDGES .010 MAX
INTERPRET DIMENSIONS AND GEOMETRIC TOLERANCING PER: ANSI Y14.5M-1994

DATE	NAME	LN
04/22/2010		

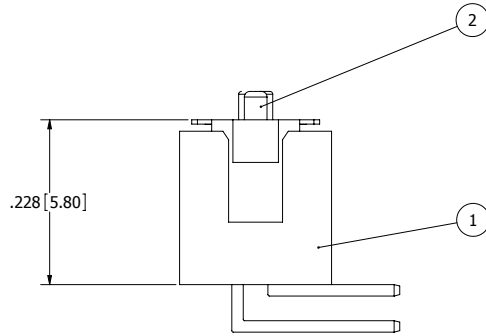
SULLINS
CONNECTOR SOLUTIONS

SECRET: BOX HEADER .050[1.27] CCRS-RA

PART NUMBER: SBH31-NBPB-D-RA-

SIZE DWG. NO. REV: C 11099 C

SCALE: 8:1 SHEET 1 OF 2



ITEM 1	SBH31-NBPB-D__-RA-__
ITEM 2 (MATES)	SFH31-NP_B-D__-SP-__ (with polarizing key)



RoHS COMPLIANT

UNLESS OTHERWISE SPECIFIED:
DIMENSIONS ARE IN INCHES(MM)
TOLERANCES:
ANGULAR: \pm .1°
XX+ = .012 [0.30]
XXX+ = .008 [0.20]
XXXX+ = .004 [0.10]
SURFACE FINISH: 63 Rg
REMOVE ALL BURRS AND SHARP EDGES .010 MAX
INTERPRET DIMENSIONS AND GEOMETRIC TOLERANCING PER: ANSI Y14.5M-1994

DATE	NAME
04/22/2010	LH

THE INFORMATION HEREIN CONTAINS PROPRIETARY INFORMATION OF SULLINS ELECTRONICS AND IS NOT TO BE REPRODUCED, USED OR DISCLOSED TO OTHERS FOR ANY PURPOSE EXCEPT AS SPECIFICALLY AUTHORIZED IN WRITING BY AN OFFICER OF SULLINS ELECTRONICS.

SULLINS CONNECTOR SOLUTIONS	
DESCRIPTION: BOX HEADER, .050[1.27] CC/RS, RA	
PART NUMBER: SBH31-NBPB-D__-RA-__	
SIZE	DWG. NO.
C	11099
SCALE: 8:1	REV C
SHEET 2 OF 2	