

Excellent Integrated System Limited

Stocking Distributor

Click to view price, real time Inventory, Delivery & Lifecycle Information:

[Panduit](#)

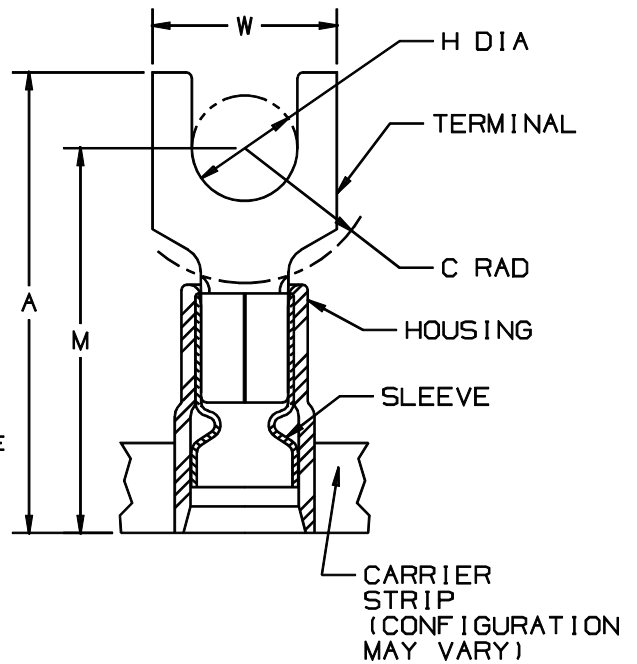
[PNF18-10F-3K](#)

For any questions, you can email us directly:

sales@integrated-circuit.com

THIS COPY IS PROVIDED ON A RESTRICTED BASIS AND IS NOT TO BE USED IN ANY WAY DETRIMENTAL TO THE INTERESTS OF PANDUIT CORP.

PANDUIT PART NUMBER	STUD SIZE	DIMENSIONS in.				
		A $\pm .03$	W $\pm .01$	C $\pm .02$	M $\pm .03$	H $\pm .01$
PNF18-6FN-3K	#6	.77 (19.6)	.24 (6.1)	.19 (4.8)	.64 (16.3)	.14 (3.6)
PNF18-6F-3K	#6	.78 (19.8)	.30 (7.6)	.19 (4.8)	.64 (16.3)	.14 (3.6)
PNF18-8F-3K	#8	.83 (21.1)	.32 (8.1)	.22 (5.6)	.67 (17.0)	.17 (4.3)
PNF18-10FN-3K	#10	.85 (21.6)	.31 (7.9)	.24 (6.1)	.69 (17.5)	.20 (5.1)
PNF18-10F-3K	#10	.85 (21.6)	.35 (8.9)	.24 (6.1)	.69 (17.5)	.20 (5.1)
PNF18-14F-3K	#14	1.02 (25.9)	.44 (11.2)	.33 (8.4)	.78 (19.8)	.27 (6.9)



NOTES:

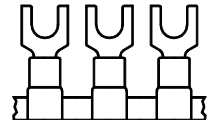
- USED FOR:
 - A. 600V MAX VOLTAGE RATING
 - B. 221°F (105°C) MAX TEMP RATING
 - C. 22-18 AWG (.5-1.5mm²) SOLID OR STRANDED COPPER WIRE
- INSTALLATION TOOLS:
 - A. PRESSES - CP-851, CP-860, CP-861
 - B. APPLICATOR - CA-800
 - C. DIE INSERTS - CD-800-1
- WIRE STRIP LENGTH: 1/4 $\pm .032$ (6.4 $\pm .8$)
- MAX WIRE INSULATION DIA: .145 (3.68)
MIN WIRE INSULATION DIA: .090 (2.29)
- MATERIAL:
 - A. TERMINAL STAMPING: .032 (.81) THICK TIN PLATED COPPER
 - B. HOUSING : RED NYLON
 - C. SLEEVE : TIN PLATED BRASS
- PACKAGING:
 - A. BULK ONLY: -3K = 3000 PCS ON CONTINUOUS MOLDED CARRIER STRIP
- DIMENSIONS IN BRACKETS ARE IN MILLIMETERS OR mm²



LISTED
587H
E52164



CERTIFIED
LR31212



A41141_04

04	12/00	ED		FILESPEC WAS: N41141AA_PCD_03	08925			 CORP. TINLEY PARK, ILLINOIS
03	1/97	JAMB		ADDED NOTE, "MIN WIRE INSULATION DIA."	05400			
02	10/95	BK	RLS	UPDATED DRAWING	03624	LA	KRS	
1	3/88	GM	RLS	REDRAWN WITH REVISIONS		LA	KS	
REV	DATE	BY	CHK	DESCRIPTION	ECN	CUST	PM	DRAWN BY GRM CHK'D LA SCALE NONE DRAWING NO. A41141