

## Excellent Integrated System Limited

Stocking Distributor

Click to view price, real time Inventory, Delivery & Lifecycle Information:

[Panduit](#)

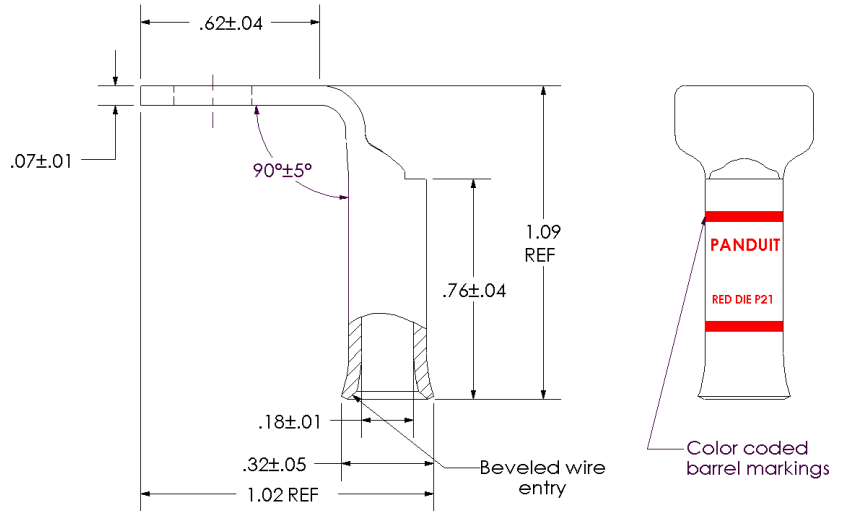
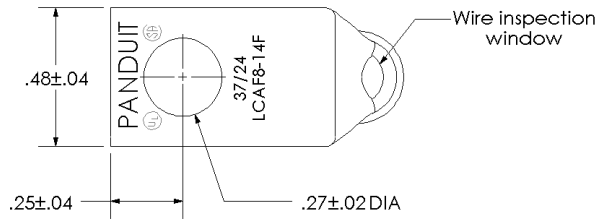
[LCAF8-14F-L](#)

For any questions, you can email us directly:

[sales@integrated-circuit.com](mailto:sales@integrated-circuit.com)

THIS COPY IS PROVIDED ON A RESTRICTED BASIS AND IS NOT TO BE USED IN ANY WAY DETRIMENTAL TO THE INTERESTS OF PANDUIT CORP.

|  |  |
|--|--|
| Material                                       | High Conductivity Seamless Copper Tube   |
| Plating  | Electro-Tin  |
| Wire Size & Type                               | Stranded Copper Flex Cable; 8 AWG (37/24) Diesel Locomotive  |
| Wire Strip Length                              | 13/16 in.  |
| Stud Size                                      | 1/4 in.  |
| UL Listed Wire Connector                       | Yes, for applications up to 35kv. Consult cable manufacturer for voltage stress relief instructions with applications greater than 2000 volts. |
| UL Temperature Rating                          | 90° C  |
| C.S.A Certified Wire Connector                 | Yes  |
| Panduit Color Code on Barrel                   | RED  |
| Panduit Die Index No. on Barrel                | P21  |
| Alternate Industry Die Index No. ( ) on Barrel | N/A  |



| 00  | 9/02 | SAB | DRL | RELEASED    | 10323 |
|-----|------|-----|-----|-------------|-------|
| REV | DATE | BY  | CHK | DESCRIPTION | ECN   |

**PANDUIT CORP.** TINLEY PARK, ILLINOIS

LCAF8-14F-L  
 Copper Lug - One-Hole, Flared Barrel, 90° Angle Tongue

SCALE N/A DRAWING NO / CAD FILE LCAF8-14F-CUST