

Excellent Integrated System Limited

Stocking Distributor

Click to view price, real time Inventory, Delivery & Lifecycle Information:

[Panduit](#)

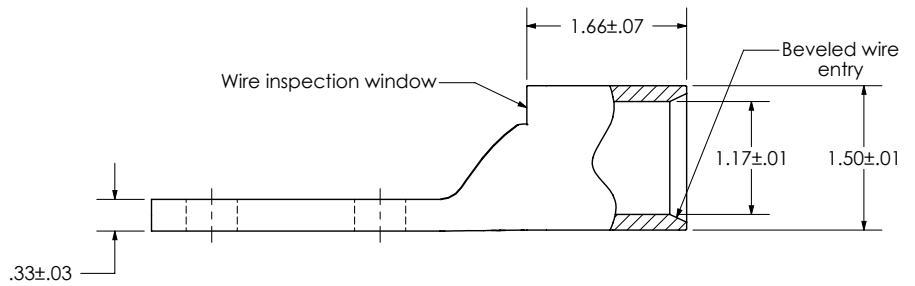
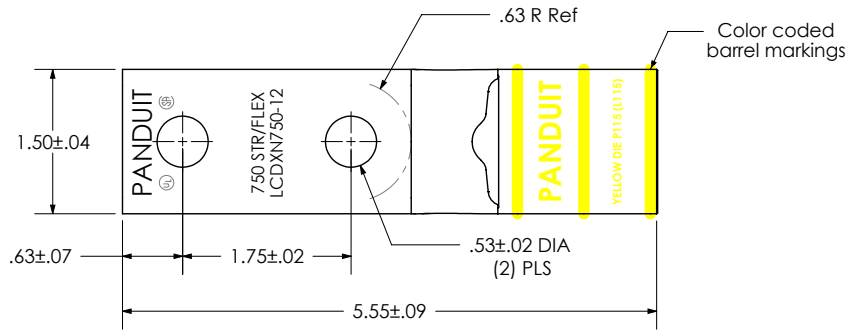
[LCDXN750-12-3](#)

For any questions, you can email us directly:

sales@integrated-circuit.com

THIS COPY IS PROVIDED ON A RESTRICTED BASIS AND IS NOT TO BE USED IN ANY WAY DETRIMENTAL TO THE INTERESTS OF PANDUIT CORP.

| | |
|--|--|
| Material | High Conductivity Seamless Copper Tube |
| Plating | Electro-Tin |
| Wire Size | 750 STR/FLEX |
| Wire Type | Stranded Copper: Locomotive |
| Wire Strip Length | 1-3/4 in. |
| Stud Size | 1/2 in. |
| UL Listed Wire Connector | Yes, for applications up to 35kv. Consult cable manufacturer for voltage stress relief instructions with applications greater than 2000 volts. |
| UL Temperature Rating | 90° C |
| C.S.A Certified Wire Connector | Yes |
| Panduit Color Code on Barrel | YELLOW |
| Panduit Die Index No. on Barrel | P115 |
| Alternate Industry Die Index No. () on Barrel | (L115) |



| REV | DATE | BY | CHK | DESCRIPTION | ECN |
|-----|------|------|------|---|-----|
| 05 | 4/09 | JHNU | JHNU | REVISED OVERALL LENGTH: WAS 4.60 REVISED TONGUE THICKNESS: WAS .34 | |

PANDUIT CORP. TINLEY PARK, ILLINOIS

LCDXN750-12-3
Copper Lug - Narrow Tongue, Two-Hole, Standard Flex Barrel

SCALE N/A DRAWING NO / CAD FILE LCDXN750-12-CUST