

Excellent Integrated System Limited

Stocking Distributor

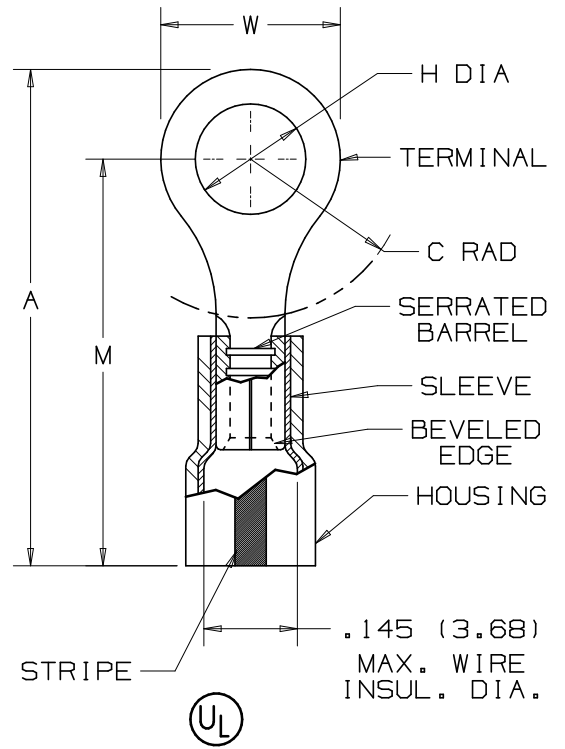
Click to view price, real time Inventory, Delivery & Lifecycle Information:

[Panduit](#)
[PK18-10R-X](#)

For any questions, you can email us directly:
sales@integrated-circuit.com

THIS COPY IS PROVIDED ON A RESTRICTED BASIS AND IS NOT TO BE USED IN ANY WAY DETRIMENTAL TO THE INTERESTS OF PANDUIT CORP.

| PANDUIT PART NUMBER | STUD SIZE | DIMENSIONS in. | | | | |
|---------------------|-----------|-----------------|----------------|----------------|----------------|----------------|
| | | A ±.04 | W ±.01 | C ±.02 | M ±.04 | H ±.01 |
| PK18-4R | #4 | .80 (20.32) | .25 (6.35) | .22 (5.59) | .68 (17.27) | .12 (3.05) |
| PK18-6R | #6 | .80 (20.32) | .25 (6.35) | .22 (5.59) | .68 (17.27) | .15 (3.81) |
| PK18-8R | #8 | .89 (22.61) | .31 (7.87) | .29 (7.37) | .74 (18.80) | .17 (4.32) |
| PK18-10R | #10 | .89 (22.61) | .31 (7.87) | .29 (7.37) | .74 (18.80) | .20 (5.08) |
| PK18-14R | 1/4" | 1.10 (27.94) | .46 (11.68) | .40 (10.16) | .87 (22.10) | .27 (6.86) |
| PK18-56R | 5/16" | 1.10 (27.94) | .46 (11.68) | .40 (10.16) | .87 (22.10) | .34 (8.64) |
| PK18-38R | 3/8" | 1.18 (29.97) | .53 (13.46) | .45 (11.43) | .92 (23.37) | .40 (10.16) |



NOTES:

- UL LISTED FOR:
 - 600V. MAX. VOLTAGE RATING
 - #22-16 AWG SOLID OR STRANDED COPPER WIRE
 - 302°F (150°C) MAX. TEMP. RATING
- MATERIAL:
 - STAMPING - .03" (0.76) THK COPPER, TIN PLATED
 - HOUSING - KYNAR INSULATED
COLOR STRIPE - RED
 - SLEEVE - BRASS, TIN PLATED
- PACKAGE QTY: -X =10, -C =100
- DIMENSIONS IN BRACKETS ARE IN MILLIMETERS
- INSTALLATION TOOLS:
 - UL LISTED; CT-400, CT-1550, CT-1551, CT-2400 W/CT-2455CH
 - PANDUIT APPROVED: CT-100*, CT-260*, CT-500, CT-550, CT-600

* FOR 22-18 AWG SOLID OR STRANDED COPPER WIRE
- WIRE STRIP LENGTH: 7/32" + 1/32" (5.6 + .8)

LISTED
587H
E52164

A41297_05

PANDUIT CORP.

TINLEY PARK, ILLINOIS

#22-16 BARREL KYNAR INSULATED RING TONGUE, .145 (3.68) MAX. WIRE INSULATION DIAMETER

| | | | | | | | |
|-----|-------|------|-----|--|---------|-----|------|
| 05 | 10/06 | DAW | DAW | ADDED PK1856R & PK1838R, ADDED -X PK. | TR00171 | TRO | LCA |
| -- | --- | -- | -- | REMOVED P/N'S PK18-56R & PK18-38R. ADDED CT-600 TO PANDUIT APPROVED TOOLS. ADDED NOTE 6. | ----- | -- | -- |
| 04 | 7/05 | JHNU | LCA | REMOVED BULK PACKAGING FROM NOTE 3. | TR00002 | TRO | LCA |
| 03 | 3/00 | JAMB | RLS | UPDATED DIM IN COL "A" & COL "M" UPDATED NOTES | 08315 | TRO | JCJ |
| 02 | 6/97 | TM | RLS | UPDATED DIMENSIONS | 06026 | DRH | LA |
| 1 | 8-88 | DW | RS | REDRAWN WITH REVISIONS | | JRB | LA |
| REV | DATE | BY | CHK | DESCRIPTION | ECN # | PM | CUST |

| | | | | | | | |
|----------|-----|-------|----|-------|------|-------------|--------|
| DRAWN BY | DAW | CHK'D | CH | SCALE | NONE | DRAWING NO. | A41297 |
|----------|-----|-------|----|-------|------|-------------|--------|