

Excellent Integrated System Limited

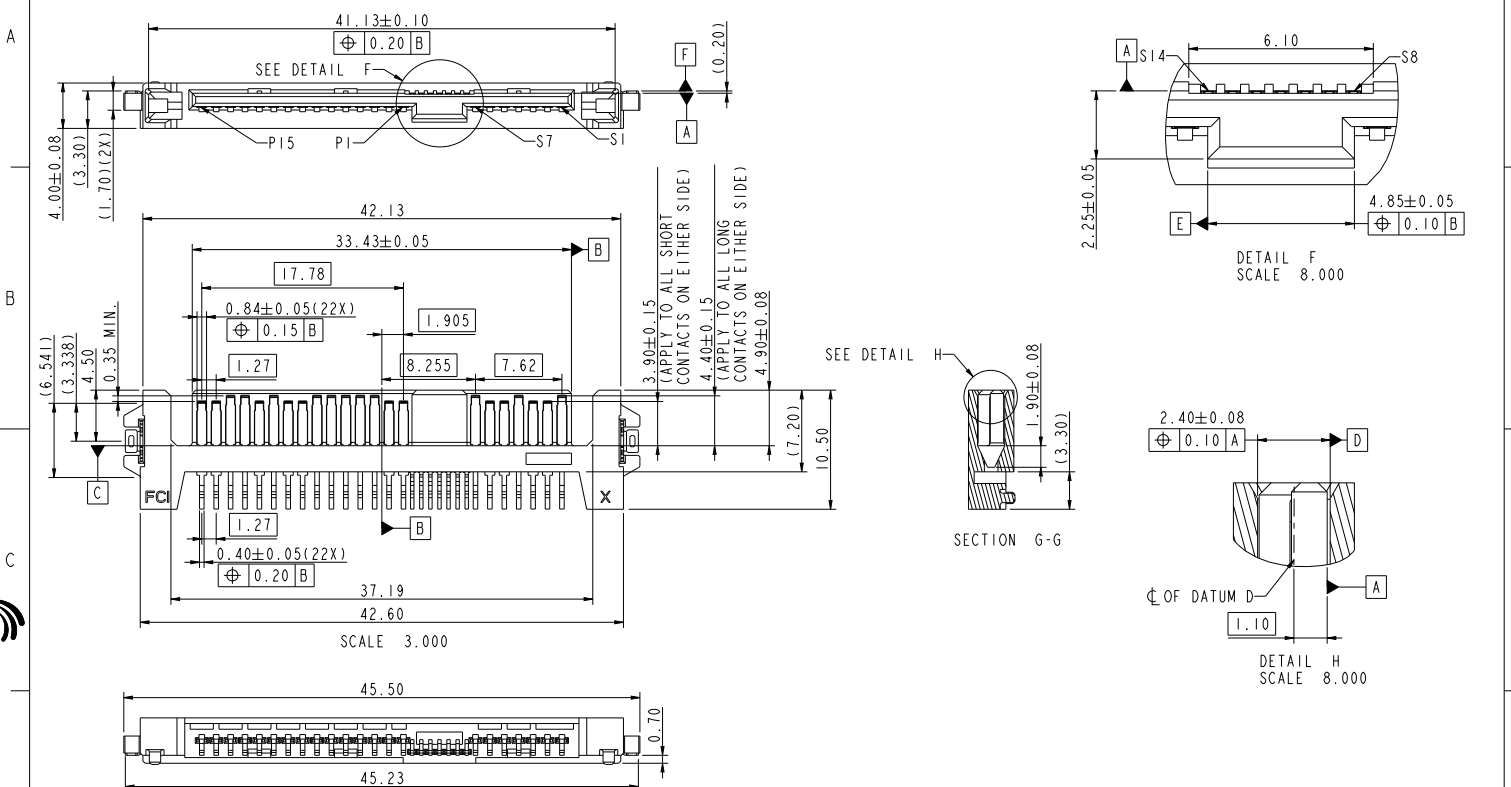
Stocking Distributor

Click to view price, real time Inventory, Delivery & Lifecycle Information:

[FCI](#)
[10099439-003C-TRLF](#)

For any questions, you can email us directly:
sales@integrated-circuit.com

PRODUCT NO.
10099439-002LF
10099439-003C-TRLF

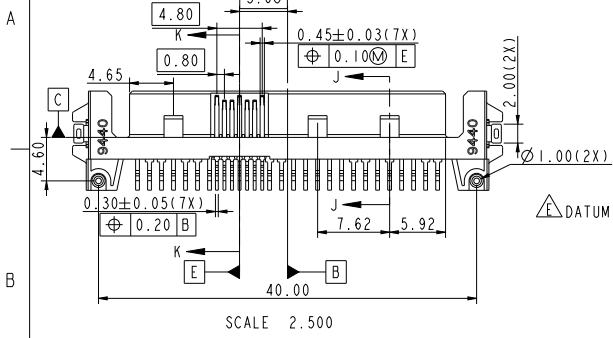


Copyright FCI

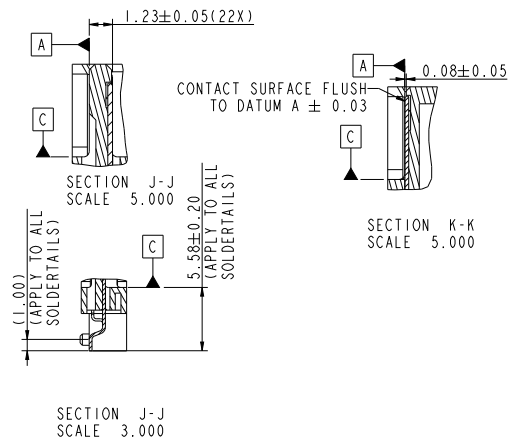
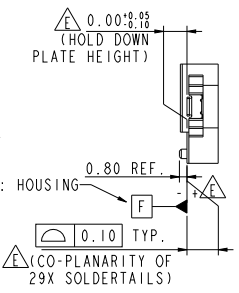
spec ref	dr	Loke Ng	20150420	projection	MM	size	A3	scale	3.000
tolerance std	eng	Jeffrey Lim	20150520			ecn no	-	rel level	Released
ASME Y14.5	chr	-	20150520						
surface	appr	Koon-Pak Tay	20150520			SAS PLUG R/A TYPE ASSY, Z-HT. 0.20		cat. no.	Product - Customer Drw
linear 0.X ±0.25 0.XX ±0.15 0.XXX ±0.050 angular 0° ±2°	www.fci.com		title	cat. no.	Product - Customer Drw	sheet 1 of 3			

Print Date: REC C: 2010-04-10

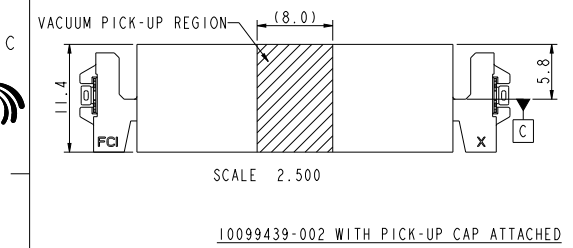
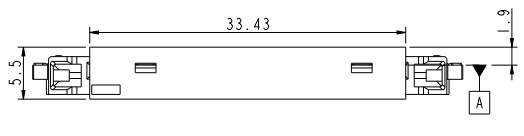
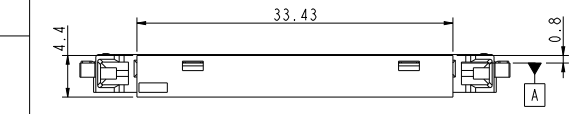
PRODUCT NO.	WITH PICK-UP CAP	PACKAGING
10099439-002LF	NO	TRAY
10099439-002CLF	NO	TRAY
10099439-003C-TRLF	YES	TAPE & REEL



SCALE 2.500

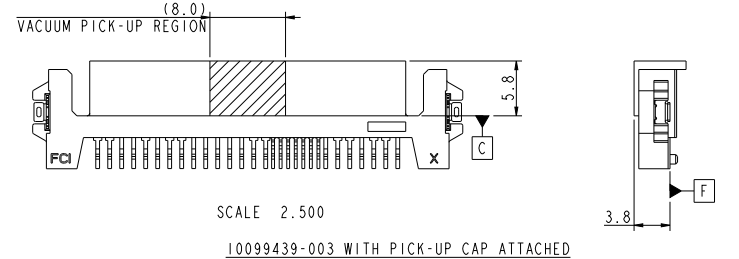


SECTION J-J SCALE 3.000



SCALE 2.500

10099439-002 WITH PICK-UP CAP ATTACHED



SCALE 2.500

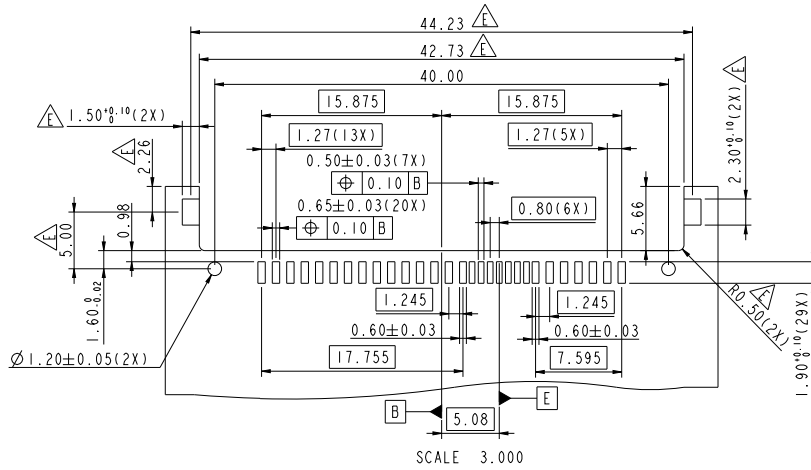
10099439-003 WITH PICK-UP CAP ATTACHED

Copyright FCI.

spec ref	dr	Lois Ng	20150420	projection	MM	size	A3	scale	2.000
tolerance std	eng	Jeffrey Lim	20150520			ecn no	ELX-S-20119-1		
ASME Y14.5	chr		rel level			Released			
surface <input checked="" type="checkbox"/> linear <input type="checkbox"/> angular	tolerances unless otherwise specified	appr	Koon-Pak Tay	product family					
	0.X ±0.25			title SAS PLUG R/A TYPE ASSY, Z-HT. 0.20 www.fci.com	cat. no.	Product - Customer Draw	sheet 2 of 3	rev E	
	0.XX ±0.15								eng no 10099439
0.XXX ±0.050	status: Released								
0° ±2°	PDS: Rev E		STATUS: Released		Printed: Mar 20, 2015				

Print Date - REV C - 2009-04-09

PRODUCT NO.
SEE TABLE



RECOMMENDED SMT PAD DIMENSIONS

NOTES:

- MATERIAL:
HOUSING & CAP: HIGH TEMPERATURE THERMOPLASTIC, BLACK, UL94V-0
CONTACT & HOLD DOWN: COPPER ALLOY
- FINISH:
CONTACT: 1.27um MIN. Ni UNDERPLATE OVERALL,
1.91um MIN. 100% MATTE Sn(LEAD-FREE) ON SOLDER TAIL,
0.76um MIN. Au ON CONTACT AREA
HOLD DOWN: 1.91um MIN. 100% MATTE Sn(LEAD-FREE) OVER
1.27um MIN. Ni UNDERPLATE OVERALL
- RECOMMENDED PCB THICKNESS: 1.00mm
- PRODUCT SPECIFICATION: GS-12-282
- PACKAGING SPECIFICATION: GS-14-952(TRAY); GS-14-1038(TAPE & REEL)
- THIS PRODUCT MEETS EUROPEAN UNION DIRECTIVES AND OTHER
COUNTRY REGULATIONS AS DESCRIBED IN GS-47-0004
- THE HOUSING WILL WITHSTAND EXPOSURE TO 260°C PEAK TEMPERATURE
FOR 10 SECONDS IN A CONVECTION, INFRA-RED OR VAPOR PHASE
REFLOW OVEN
- A SYMBOL \triangle WILL BE NEXT TO ANY DIMENSION, VIEW OR NOTE WHICH
HAS BEEN MODIFIED WITH THE CURRENT DRAWING REVISION

spec ref	dr	Loide Ng	20150920	projection	MM	size	A3	scale	2.000	
tolerance std	eng	Jeffrey Lim	20150920			ecn no	ELX-S-20119-1	rel level	Released	
ASME Y14.5	chr									product family
surface	<input checked="" type="checkbox"/> linear <input type="checkbox"/> 0.X ±0.25 <input type="checkbox"/> 0.XX ±0.15 <input type="checkbox"/> 0.XXX ±0.050 <input type="checkbox"/> angular 0° ±2°			FCI		title SAS PLUG R/A TYPE ASSY, Z-HT. 0.20	eng no 10099439	rev E		
		www.fci.com		cat. no.					Product - Customer Drw	sheet 3 of 3
		PDS: Rev E		STATUS: Released					Printed: Mar 20, 2015	