

## Excellent Integrated System Limited

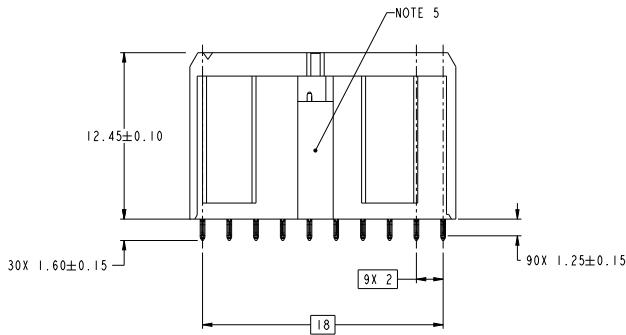
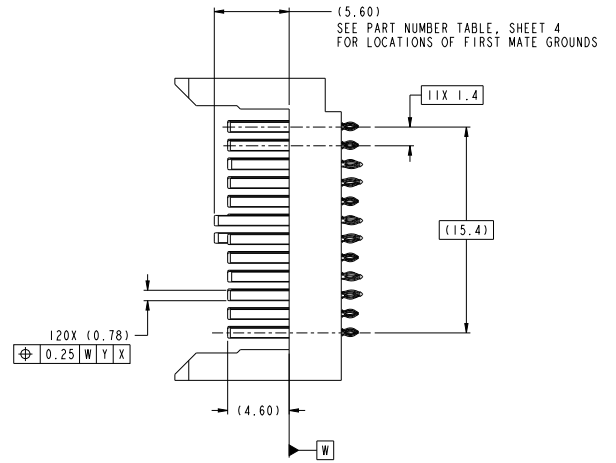
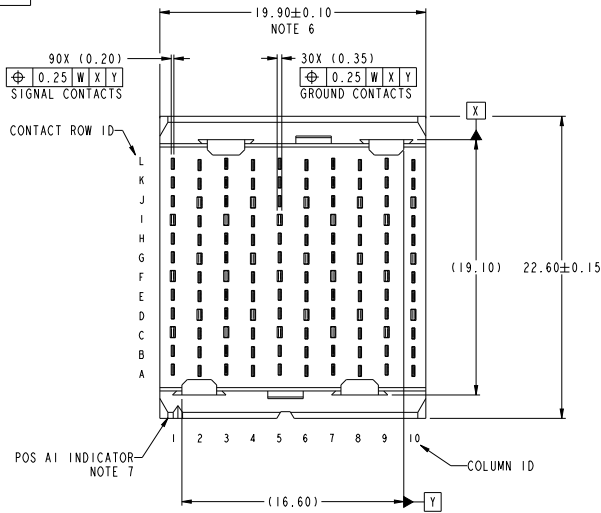
Stocking Distributor

Click to view price, real time Inventory, Delivery & Lifecycle Information:

[FCI](#)  
[10117992-101LF](#)

For any questions, you can email us directly:  
[sales@integrated-circuit.com](mailto:sales@integrated-circuit.com)

Product number  
SEE TABLE, SHT 4



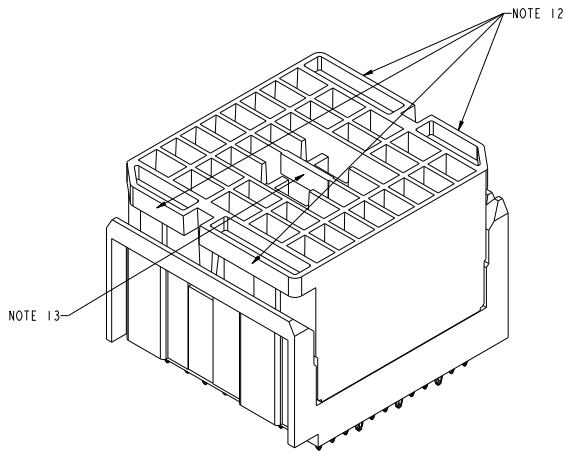
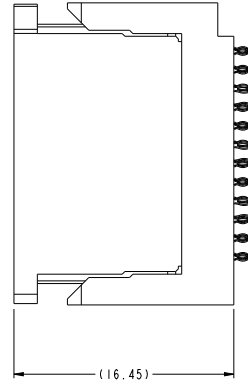
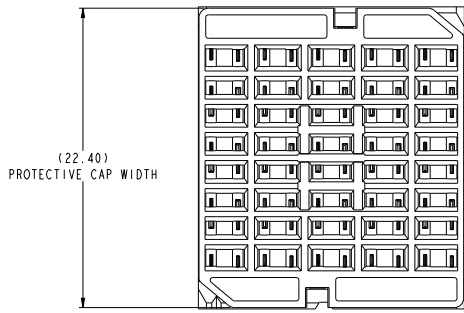
spec. ref.	-	dr.	John Dwy	apr0908	projection	MM	size	A2	scale	5:1
tolerance std	ASME Y14.5	eng	John Dwy	apr0908	product family	AIRMAX VS	rel. level	Released	rev	C
	TOLERANCES UNLESS OTHERWISE SPECIFIED	chr	John Dwy	apr0908						
		appr	John Lu	apr0908						
surface	linear	0.1	±0.3		AIRMAX VSE VERTICAL HEADER		10117992			
	angular	0.25	±0.10		SMALL PRESS-FIT, 120 POS, 20.0 mm					
		0.25	±0.050	www.fci.com	cat. no.		Product - Customer Draw	sheet 1 of 4		

PDS: Rev: C

STATUS: Released

Printed: Jun 24, 2014

Copyright FCI



VIEWS SHOWN WITH  
PROTECTIVE COVER INSTALLED

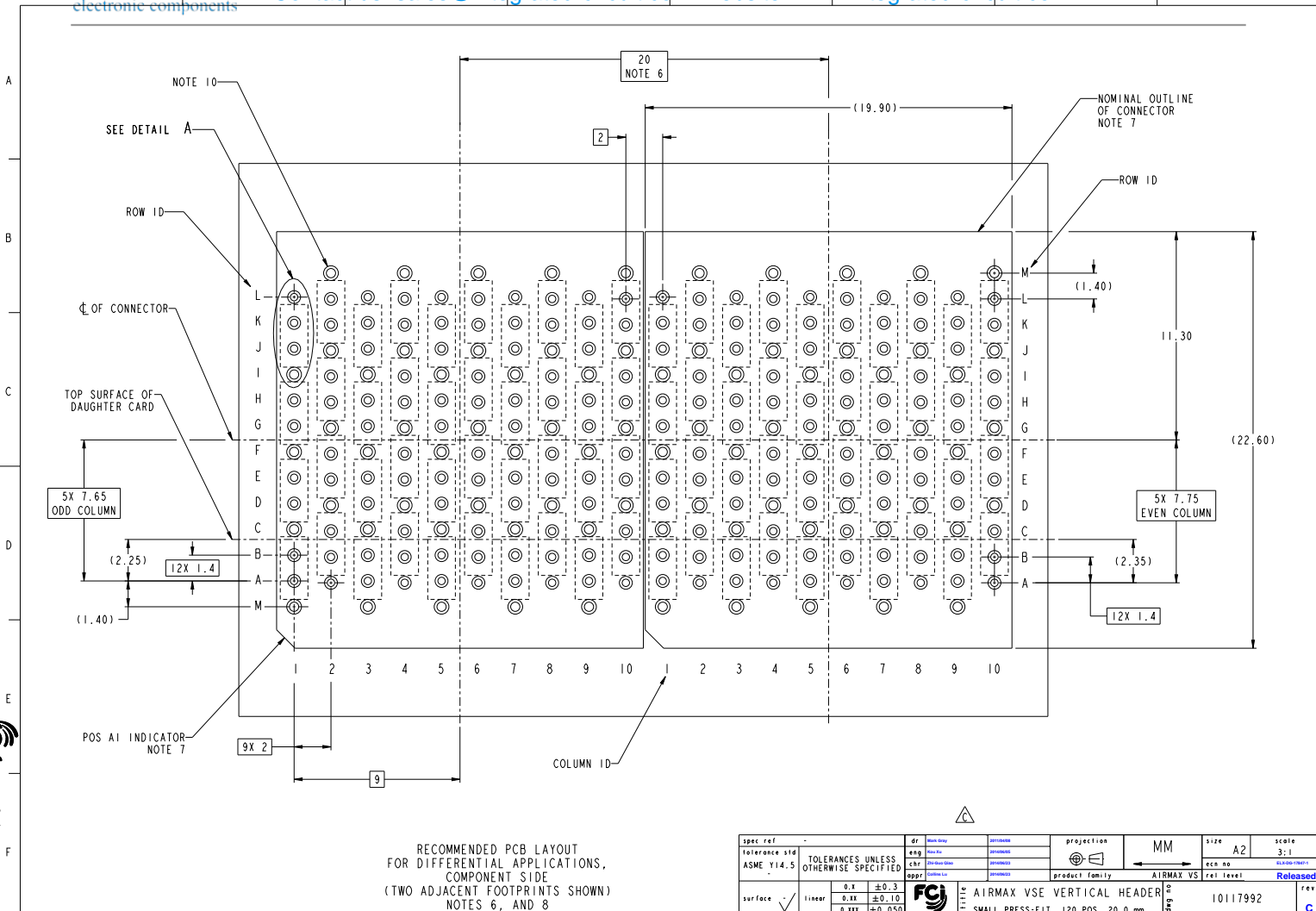
Copyright FCI.

spec. ref.	-	dr.	hsh/duy	dr/10/08	projection	MM	size	A2	scale	5:1		
tolerance std	ASME Y14.5	eng	hsh/duy	10/08/08	product family	AIRMAX VS	rel. level	Released				
	TOLERANCES UNLESS OTHERWISE SPECIFIED	chr	hsh/duy	10/08/08								
		appr	hsh/duy	10/08/08								
surface	linear	0.1	±0.3		<b>AIRMAX VSE VERTICAL HEADER</b> SMALL PRESS-FIT, 120 POS., 20.0 mm					10117992	rev	C
		0.2X	±0.10									
ASME Y14.5	angular	0.2X	±0.050		www.fci.com	cat. no.	-	Product	Customer Draw	sheet 2 of 4		

PDS: Rev :C

STATUS: Released

Printed: Jun 24, 2014



spec. ref.	-	dr.	initial	initial	projection	MM	size	A2	scale	3:1
tolerance std	ASME Y14.5	eng	initial	initial	product family	AIRMAX VS	rel. level	Released	rev	C
surface	linear	0.1	±0.3	0.2X	±0.10	0.25X	±0.050	<b>FCI</b> AIRMAX VSE VERTICAL HEADER SMALL PRESS-FIT, 120 POS, 20.0 mm		
ASME Y14.5	angular	0°	±2°	www.fci.com		cat. no.	Product - Customer Draw		sheet 3 of 4	

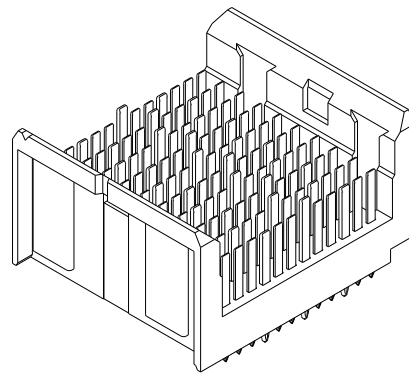
PDS: Rev :C STATUS: Released Printed: 24, 2014

Copyright FCI

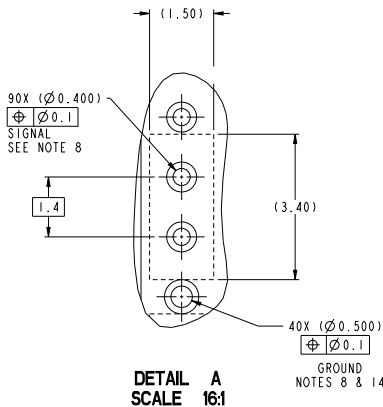
PART NUMBER	PRESS-FIT TAIL PLATING TYPE	PROTECTIVE COVER	FIRST MATE PIN LOCATIONS (5.6mm)
10117992-101LF	TIN OVER NICKEL (LEAD FREE)	YES	F1, F3, F5, F7, F9, G2, G4, G6, G8, G10

NOTES:

1. CONNECTOR MATERIALS:  
HOUSING: HIGH TEMP THERMOPLASTIC, BLACK, UL94V-0  
CONTACT: COPPER ALLOY
2. CONTACT PLATING:  
SEPARABLE INTERFACE: PERFORMANCE-BASED PLATING, QUALIFIED TO MEET THE REQUIREMENTS OF FCI PRODUCT SPECIFICATION GS-12-XXX INCLUDING TELCORD IA GR-1211-CORE (NOVEMBER 1995) CENTRAL OFFICE TEST SEQUENCE PRESS-FIT TAILS: SEE TABLE
3. PRODUCT SPECIFICATION: GS-12-239.
4. APPLICATION SPECIFICATION: GS-20-035.
5. PRODUCT MARKING, (PROTOTYPE, PART NUMBER & LOT CODE), ON THIS SURFACE.
6. THE MINIMUM CENTERLINE SPACING BETWEEN ADJACENT MODULES IS 20.0 mm.
7. CONNECTOR OUTLINE WITH HOUSING POS A1 INDICATOR MAY BE SCREEN PRINTED ONTO CUSTOMER PCB TO BE USED AS A GUIDE FOR MANUAL CONNECTOR PLACEMENT.
8. REFER TO CUSTOMER DRAWING 10104444 FOR INFORMATION ON PCB HOLE DIAMETERS AND PLATING OPTIONS.
9. THIS PRODUCT MEETS EUROPEAN UNION DIRECTIVES AND OTHER COUNTRY REGULATIONS AS DESCRIBED IN GS-22-008.
10. THE OUTER VIAS IN COLUMN M ARE OPTIONAL. IF ADDED THESE HOLES PROVIDE GROUND SYMMETRY THROUGH THE PCB. NO CONNECTOR PINS WILL BE PRESSED INTO THESE HOLES.
11. PACKAGING MEETS GS-14-920 LEAD FREE LABELING SPECIFICATION.
12. FOR REMOVAL OF THE PROTECTIVE CAP BY HAND GRIP USING THESE SURFACES.
13. FOR REMOVAL OF THE PROTECTIVE CAP WITH PLIERS GRIP USING THIS FEATURE.
14. GROUND VIAS IN POSITIONS C, F, I, & M FOR ODD COLUMNS AND POSITIONS D, G, J, & N FOR EVEN COLUMNS REQUIRE (Ø0.50) FINISHED HOLES. ALL OTHER VIAS REQUIRE (Ø0.40) FINISHED HOLES.
15. A SYMBOL WILL BE NEXT TO ANY DIMENSION, VIEW OR NOTE WHICH HAS BEEN MODIFIED WITH THE CURRENT DRAWING REVISION



10117992-101LF



spec. ref.	-	dr.	initial	08/10/08	projection	MM	size	A2	scale	5:1	
tolerance std	ASME Y14.5	eng	initial	08/10/08	chf	initial	08/10/08	acc. no.	10117992	rel. level	Released
TOLERANCES UNLESS OTHERWISE SPECIFIED		appr	initial	08/10/08	product family	AIRMAX VS	rel. level	Released			
surface	linear	0.1	±0.3	FCI	AIRMAX VSE VERTICAL HEADER		10117992	rev	C		
		0.2X	±0.10	www.fci.com	SMALL PRESS-FIT, 120 POS, 20.0 mm						
	angular	Ø	±2	cat. no.	Product - Customer Draw		sheet 4 of 4				

PDS: Rev :C

STATUS: Released

Printed: 08/24/2014