

Excellent Integrated System Limited

Stocking Distributor

Click to view price, real time Inventory, Delivery & Lifecycle Information:

[FCI](#)

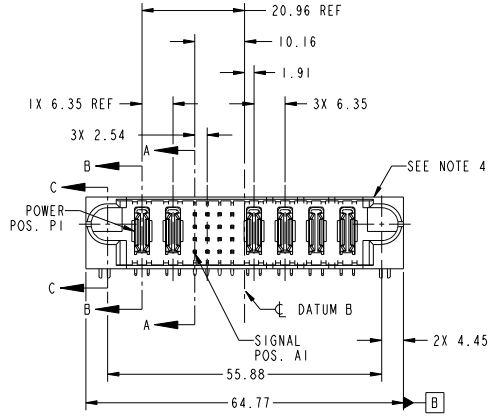
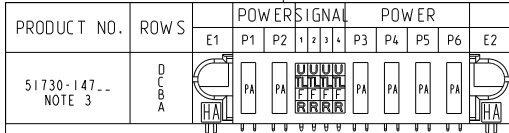
[51730-147LF](#)

For any questions, you can email us directly:

sales@integrated-circuit.com

Tous droits strictement réservés. Reproduction ou communication à des tiers interdite sous quelque forme que ce soit sans autorisation écrite du propriétaire. Propriété de FCI. Droits de reproduction FCI.

All rights strictly reserved. Reproduction or issue to third parties in any form whatever is not permitted without written authority from the proprietor. Property of FCI. Copyright FCI.



CODE	DIM "M" MATING LENGTH	CONTACT TYPE
U	[6.86]	SIGNAL
PA	[N/A]	POWER
HA	[N/A]	HOLD-DOWN
R	[6.86]	SIGNAL
F	[5.59]	SIGNAL
TL	[7.82]	SIGNAL

SEE NOTE				tolerances unless otherwise specified	
ltr	ecm no.	dr	date	0.X ±0.3	
A	DG08-0216	JW	05/27/08	0.XX ±0.13	
				0.XXX ±0.051	
				0° ±2°	
		dr	JULIA WANG	05/27/08	
		enr	JEROME CHEN	05/27/08	
		chr	GARY HSIEH	05/27/08	
		oppd	JOSEPH HSIA	05/27/08	
sheet index	revision sheet	A	A	A	A
		1	2	3	4

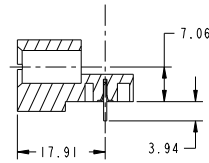
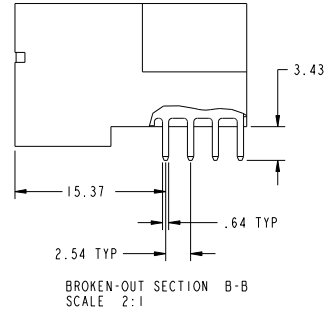
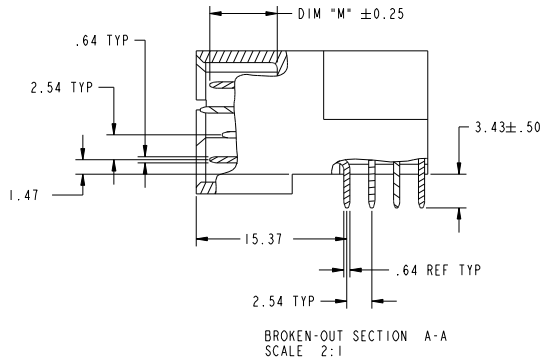
CUSTOMER		FCI	
COPY	projection	www.fciconnect.com	title
			2P + 16S + 4P
			RIGHT ANGLE SOLDER HEADER
		product family	PwrBlade
		size	code
		A	213
		dwg no	sheet
		51730-147	1 of 4
		scale	
		1:1	
		cage code	
		22526	

Tous droits strictement réservés. Reproduction ou communication à des tiers interdite sous quelque forme que ce soit sans autorisation écrite du propriétaire. Propriété de FCI. Droits de reproduction FCI.

All rights strictly reserved. Reproduction or issue to third parties in any form whatever is not permitted without written authority from the proprietor. Property of FCI. Copyright FCI.



PRODUCT NUMBER
51730-147...
NOTE: 3



mat'l code		SEE NOTE		tolerances unless otherwise specified		CUSTOMER	
ltr	ecm no.	dr	date	linear	0 . X ± 0.3	projection	www.fciconnect.com
A					0 . XX ± 0.13	MM	2P + 16S + 4P
				angles	0 . XXX ± 0.051	MM	RIGHT ANGLE SOLDER HEADER
				dr	0° ± 2°	MM	product family PwrBlade
				engr	JULIA WANG 05/27/08	MM	size
				chr	JEROME CHEN 05/27/08	MM	dwg no
				opd	GARY HSIEH 05/27/08	MM	51730-147
					JOSEPH HSIA 05/27/08	MM	code
sheet index	revision sheet					scale	213 sheet
						1:1	2 of 4

Pro/E

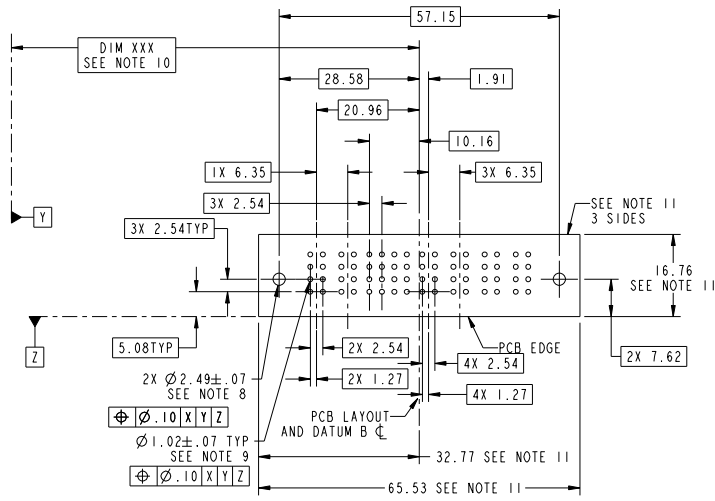
cage code 22526

Tous droits strictement réservés. Reproduction ou communication à des tiers interdite sous quelque forme que ce soit sans autorisation écrite du propriétaire. Property of FCI. Droits de reproduction FCI.

All rights strictly reserved. Reproduction or issue to third parties in any form whatever is not permitted without written authority from the proprietor. Property of FCI. Copyright FCI.



PRODUCT NUMBER
51730-147...
NOTE: 3



RECOMMENDED PCB LAYOUT

mat'l code		SEE NOTE		tolerances unless otherwise specified		CUSTOMER	
ltr	ecm no.	dr	date	linear	0.X ± 0.3	COPY	www.fciconnect.com
A				angular	0.XX ± 0.13	projection	
				angles	0.XXX ± 0.051		title
				dr	0° ± 2°	MM	2P + 16S + 4P
				enr	JULIA WANG 05/27/08	scale	RIGHT ANGLE SOLDER HEADER
				chr	JEROME CHEN 05/27/08	1:1	product family
				oppd	GARY HSIEH 05/27/08		PwrBlade
					JOSEPH HSIA 05/27/08		code
sheet index	revision sheet						size
							dwg no
							A 51730-147
							213 sheet
							3 of 4

Pro/E

cage code 22526

Tous droits strictement réservés. Reproduction ou communication à des tiers interdite sous quelque forme que ce soit sans autorisation écrite du propriétaire. Propriété de FCI. Droits de reproduction FCI.

All rights strictly reserved. Reproduction or issue to third parties in any form whatever is not permitted without written authority from the proprietor. Property of FCI. Copyright FCI.

PRODUCT NUMBER
 51730-147-
 NOTE: 3

- NOTES:**
1. DIMENSIONS AND TOLERANCES ARE IN ACCORDANCE WITH ASME Y14.5M, 1994 UNLESS OTHERWISE SPECIFIED.
- CONNECTOR NOTES:**
2. HOUSING MATERIAL: UL 94 V-0 GLASS FILLED
 HIGH-TEMP THERMOPLASTIC
 POWER CONTACT MATERIAL: COPPER ALLOY
 SIGNAL PIN MATERIAL: COPPER ALLOY
 3. 51730-147; 51730-147LF PLATING SPEC. SEE PRINT:10064183
 4. MANUFACTURER'S NAME, P/N, AND DATE CODE TO APPEAR ON THIS SURFACE.
 5. PRODUCT SPECIFICATION GS-12-149.
 APPLICATION SPECIFICATION BUS-20-067.
 6. PACKAGED IN TRAYS.
- PCB NOTES:**
7. ALL HOLE DIAMETERS ARE FINISHED HOLE SIZE.
 8. MOUNTING HOLES, WHERE APPLICABLE, ARE UNPLATED.
 9. $\varnothing 1.151 \pm 0.025$ DRILLED HOLES PLATED WITH
 0.008 MIN SnPb OR Sn OVER 0.03
 TO 0.08 Cu PLATING TO ACHIEVE
 $\varnothing 1.02 \pm .07$ HOLE.
 10. "DIM XXX" TO BE DETERMINED BY THE CUSTOMER.
 11. CONNECTOR KEEP-OUT ZONE.

mat'l code		SEE NOTE		tolerances unless otherwise specified		CUSTOMER	
ltr	ecm no.	dr	date	linear	0.X ± 0.3	COPY	
A				linear	0.XX ± 0.13	projection	title
				angles	0.XXX ± 0.051		2P + 16S + 4P RIGHT ANGLE SOLDER HEADER
				dr	0° ± 2°		product family PwrBlade
				engr	JULIA WANG 05/27/08	size	code
				chr	JEROME CHEN 05/27/08	dwg no	213
				oppd	GARY HSIEH 05/27/08	scale	sheet
					JOSEPH HSIA 05/27/08	1:1	4 of 4
sheet index	revision sheet						

cage code 22526