

## Excellent Integrated System Limited

Stocking Distributor

Click to view price, real time Inventory, Delivery & Lifecycle Information:

[FCI](#)

[51770-018LF](#)

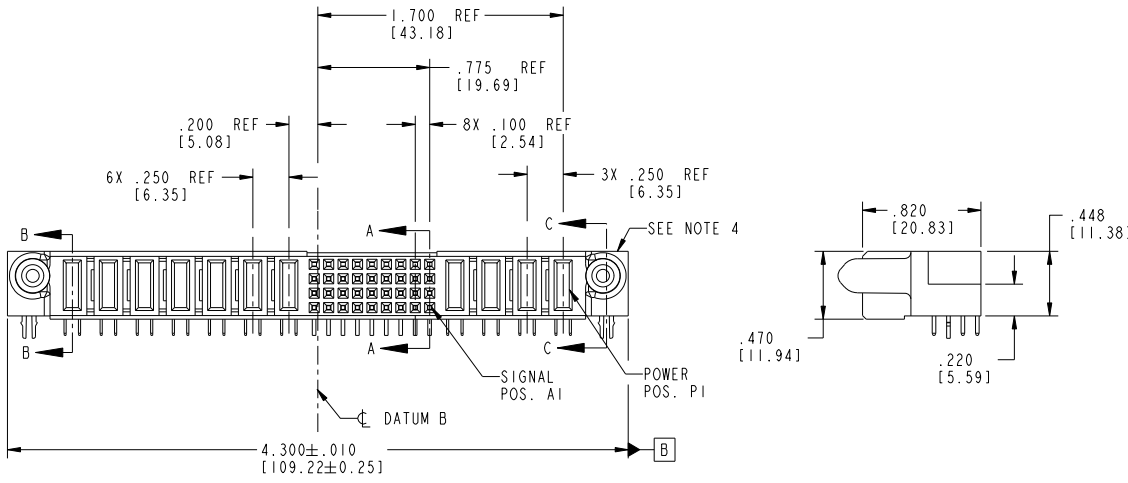
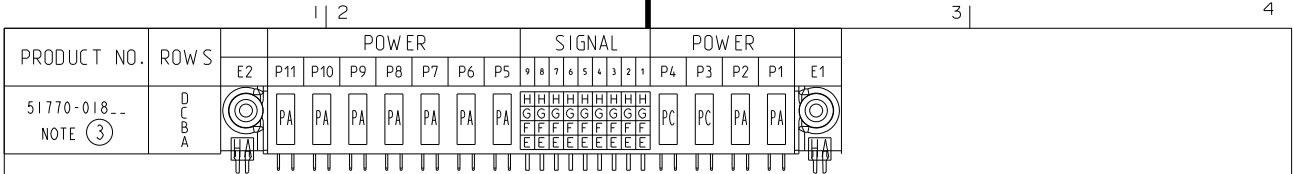
For any questions, you can email us directly:

[sales@integrated-circuit.com](mailto:sales@integrated-circuit.com)

Tous droits strictement réservés. Reproduction ou communication à des tiers interdite sans quelque forme que ce soit sans autorisation écrite du propriétaire. Propriété de c FCI. Droits de reproduction FCI.



All rights strictly reserved. Reproduction or issue to third parties in any form whatsoever is not permitted without written authority from the proprietor. Property of FCI. Copyright FCI.



CODE	DIM "M" MATING LENGTH	CONTACT TYPE
E	N/A [N/A]	SIGNAL
F	N/A [N/A]	SIGNAL
G	N/A [N/A]	SIGNAL
H	N/A [N/A]	SIGNAL
PA	.042 [1.07]	POWER
PC	.092 [2.34]	POWER
HA	N/A [N/A]	HOLD-DOWN

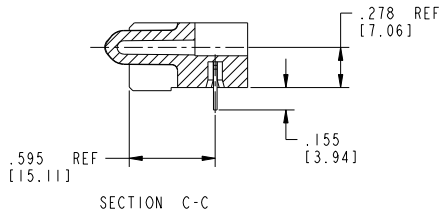
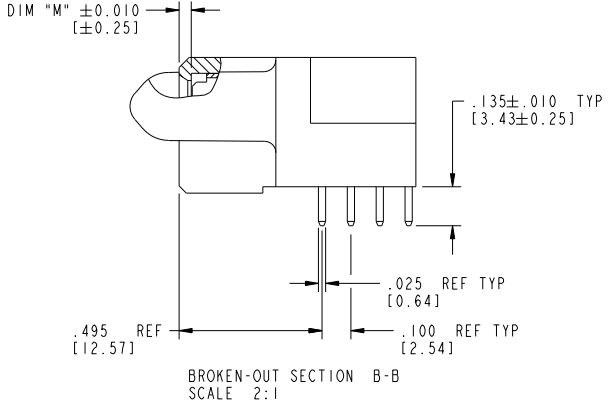
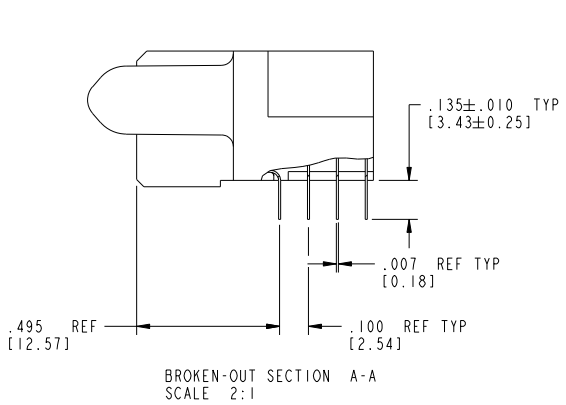
mat'l code				tolerances unless otherwise specified		CUSTOMER	
SEE NOTE 2						FCI	
ltr	ech no.	dr	date	linear	projection	www.fciconnect.com	
A	V04-0696	TAB	07/07/04	.XX±.01/0.X±0.3	COPY	title 4P + 36S + 7P	
B	V04-1133	TAB	12/01/04	.XXX±.005/0.XX±0.13	INCH/MM	R/A SOLDER RECEPTACLE	
C	DG08-0251	W D	09/13/08	.XXX±.0020/0.XXX±0.051		product family PwrBlade	code 213
				angles	scale	size	sheet
				dr	1:1	dwg no	1 of 4
				enr		A 51770-018	
				chr			
				appd			
				T. BRUNGARD	07/07/04		
				M. GRAY	07/07/04		
				M. GRAY	07/07/04		
				M. GRAY	07/07/04		
sheet index	revision sheet	C	C	C	C		
	1	2	3	4			

Tous droits strictement réservés. Reproduction ou communication à des tiers interdite sans quelque forme que ce soit sans autorisation écrite du propriétaire. Propriété de c FCI. Droits de reproduction FCI.



All rights strictly reserved. Reproduction or issue to third parties in any form whatsoever is not permitted without written authority from the proprietor. Property of FCI. Copyright FCI.

PRODUCT NUMBER  
51770-018\_

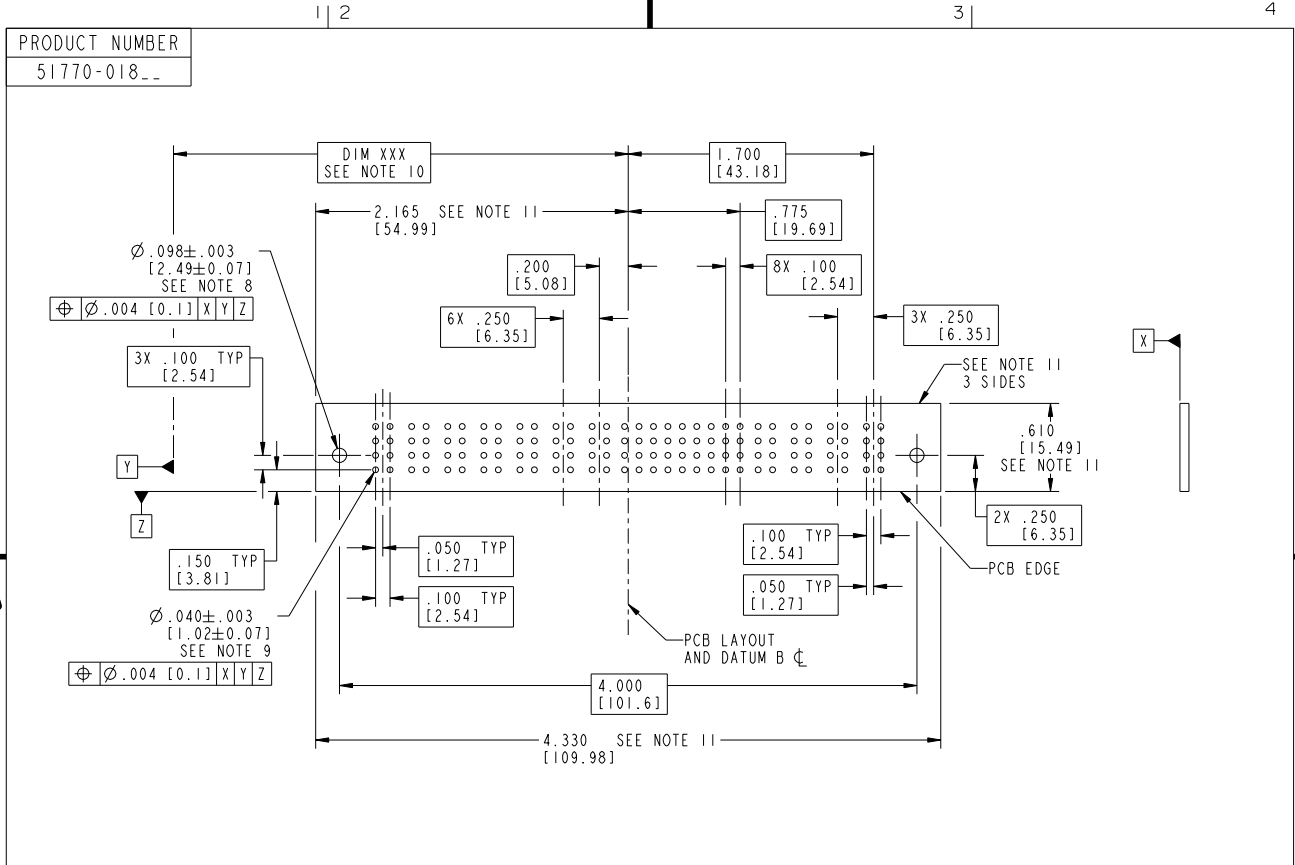


mat'l code		SEE NOTE 2		tolerances unless otherwise specified		CUSTOMER		FCI	
ltr	ech no.	dr	date	linear	.XX±.01/0.X±0.3	projection	COPY	www.fciconnect.com	
C				angles	.XXX±.005/0.XX±0.13			title 4P + 36S + 7P	
				dr	.XXX±.002/0.XXX±0.051			R/A SOLDER RECEPTACLE	
				enr	0°±2°	product family PwrBlade		code 213	
				chr	T. BRUNGARD 07/07/04	size A		sheet 2 of 4	
				appd	M. GRAY 07/07/04	scale 1:1		51770-018	
					M. GRAY 07/07/04				
sheet index	revision sheet								

Tous droits strictement réservés. Reproduction ou communication à des tiers interdite sous quelque forme que ce soit sans autorisation écrite du propriétaire. Propriété de c FCI. Droits de reproduction FCI.



All rights strictly reserved. Reproduction or issue to third parties, in any form whatsoever is not permitted without written authority from the proprietor. Property of FCI. Copyright FCI.



mat'l code				SEE NOTE 2		tolerances unless otherwise specified		CUSTOMER		FCI	
ltr	ech no.	dr	date	linear	.XX±.01/0.X±0.3	projection	COPY		www.fciconnect.com		
C				angles	.XXX±.005/0.XX±0.13		title		4P + 36S + 7P		
				dr	.XXX±.0020/0.XXX±0.051		R/A SOLDER RECEPTACLE		product family		code
				enr	0°±?	INCH/MM		PwrBlade		213	
				chr		scale		size		sheet	
				appd		1:1		A		3 of 4	
sheet index	revision sheet										

1 | 2

Pro/E

**PDM: Rev: C**

STATUS: **Released**

Printed: Dec 20, 2010

1 | 2

3 |

4

A

A

B

B

Tous droits strictement réservés. Reproduction ou communication à des tiers interdite sous quelque forme que ce soit sans autorisation écrite du propriétaire. Propriété de c FCI. Droits de reproduction FCI.



All rights strictly reserved. Reproduction or issue to third parties in any form whatsoever is not permitted without written authority from the proprietor. Property of FCI. Copyright FCI.

PRODUCT NUMBER  
51770-018\_

NOTES:

1. DIMENSIONS AND TOLERANCES ARE IN ACCORDANCE WITH ASME Y14.5M, 1994 UNLESS OTHERWISE SPECIFIED.

CONNECTOR NOTES:

- ② HOUSING MATERIAL: UL 94 V-0 GLASS FILLED HIGH-TEMP THERMOPLASTIC  
POWER CONTACT MATERIAL: COPPER ALLOY  
SIGNAL PIN MATERIAL: COPPER ALLOY
- ⚠ ③ SEE ITEM 5 & 6 IN PRINT 10064183 FOR PLATING SPEC OF 51770-018 AND 51770-018LF RESPECTIVELY.
- ④ MANUFACTURER'S NAME, P/N, AND DATE CODE TO APPEAR ON THIS SURFACE.
- 5. PRODUCT SPECIFICATION GS-12-149.  
APPLICATION SPECIFICATION BUS-20-067.
- 6. PACKAGED IN TRAYS.

PCB NOTES:

- 7. ALL HOLE DIAMETERS ARE FINISHED HOLE SIZE.
- ⑧ MOUNTING HOLES, WHERE APPLICABLE, ARE UNPLATED.
- ⑨  $\varnothing .0453 \pm .0010$  [1.151 ± 0.025] DRILLED HOLES PLATED WITH  
.0003 [0.008] MIN SnPb OVER .001 [0.03]  
TO .003 [0.08] Cu PLATING TO ACHIEVE  
 $\varnothing .040 \pm .003$  [1.02 ± .07] HOLE.
- ⑩ "DIM XXX" TO BE DETERMINED BY THE CUSTOMER.
- ⑪ CONNECTOR KEEP-OUT ZONE.
- 12. A ⚠ SYMBOL WILL BE NEXT TO ANY DIMENSION, VIEW, OR NOTE WHICH HAS BEEN MODIFIED WITH THE CURRENT DRAWING REVISION.

mat'l code				SEE NOTE 2		tolerances unless otherwise specified		CUSTOMER		FCI		www.fciconnect.com	
ltr	ech no.	dr	date	linear	.XX±.01/0.X±0.3	projection	COPY		title				
C					.XXX±.005/0.XX±0.13		R/A SOLDER RECEPTACLE		product family		code		
				angles	.XXXX±.0020/0.XXX±0.051		INCH/MM		PwrBlade		213		
				dr	T. BRUNGARD 07/07/04	scale		A 51770-018		sheet			
				enr	M. GRAY 07/07/04	1:1				4 of 4			
				chr	M. GRAY 07/07/04								
				appd	M. GRAY 07/07/04								
sheet index	revision sheet												

Pro/E

PDM: Rev: C

STATUS: Released

Printed: Dec 20, 2010