

Excellent Integrated System Limited

Stocking Distributor

Click to view price, real time Inventory, Delivery & Lifecycle Information:

[FCI](#)

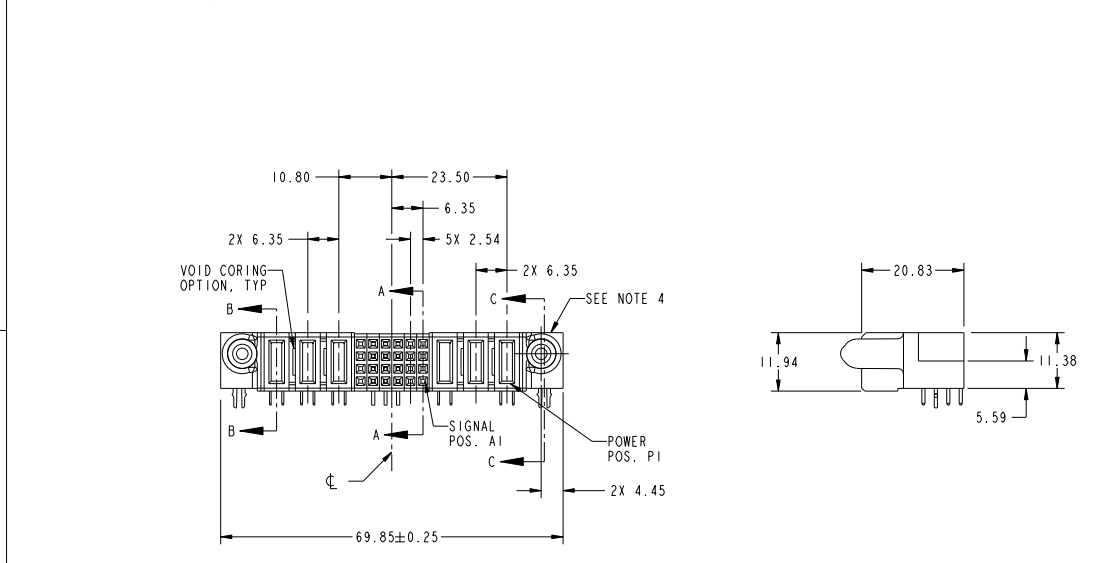
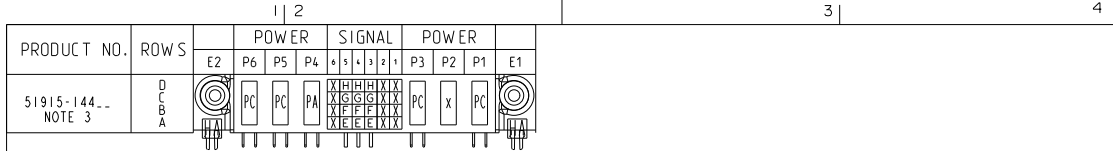
[51915-144LF](#)

For any questions, you can email us directly:

sales@integrated-circuit.com

Tous droits strictement réservés. Reproduction ou communication à des tiers interdite sous quelque forme que ce soit sans autorisation écrite du propriétaire. Propriété de FCI. Droits de reproduction FCI.

All rights strictly reserved. Reproduction or issue to third parties in any form whatever is not permitted without written authority from the proprietor. Property of FCI. Copyright FCI.



CODE	DIM "M" MATING LENGTH	CONTACT TYPE
PC	[2.34]	POWER
H	[N/A]	SIGNAL
G	[N/A]	SIGNAL
F	[N/A]	SIGNAL
E	[N/A]	SIGNAL
HA	[N/A]	HOLD-DOWN
PA	[1.07]	POWER
X	OMITTED	

mat'l code				SEE NOTE 2		tolerances unless otherwise specified	
ltr	ecn no.	dr	date			0.X ±0.3	
A	D607-0476	SH	11/28/07	linear		0.XX ±0.13	
				angles		0.XXX ±0.051	
				dr	Sincere He	11/23/07	
				enr	Sincere He	11/23/07	
				chr	Gary Hsieh	11/23/07	
				oppd	Joseph Hsiao	11/23/07	
sheet index	revision sheet	A 1	A 2	A 3	A 4		

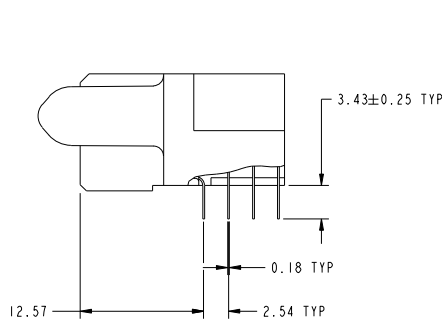
CUSTOMER		FCI	
www.fciconnect.com		www.fciconnect.com	
COPY	projection	title	3P + 24S + 3P R/A SOLDER RECEPTACLE
MM	MM	product family	PwrBlade
size	scale: 1:1	dwg no	51915-144
		code	213
		sheet	1 of 4

Pro/E	3	4	cage code 22526
-------	---	---	-----------------

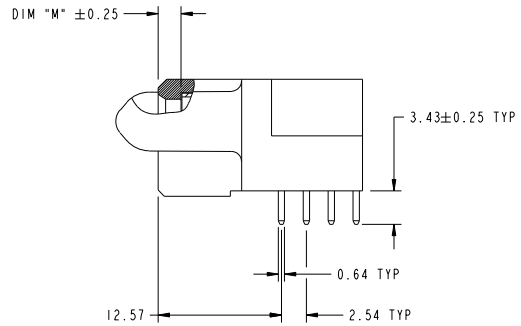
Tous droits strictement réservés. Reproduction ou communication à des tiers interdite sous quelque forme que ce soit sans autorisation écrite du propriétaire. Propriété de FCI. Droits de reproduction FCI.

All rights strictly reserved. Reproduction or issue to third parties in any form whatever is not permitted without written authority from the proprietor. Property of FCI. Copyright FCI.

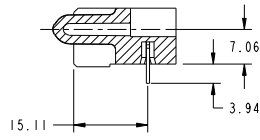
PRODUCT NUMBER
51915-144...
NOTE 3



BROKEN-OUT SECTION A-A
SCALE 2:1



BROKEN-OUT SECTION B-B
SCALE 2:1



SECTION C-C

mat'l code				SEE NOTE 2		tolerances unless otherwise specified		CUSTOMER	
ltr	ecm no.	dr	date	linear	0.X ± 0.3	projection	FCI www.fciconnect.com		
A				angles	0.XX ± 0.13	MM	title 3P + 24S + 3P		
				dr	0.XXX ± 0.051	scale	R/A SOLDER RECEPTACLE		
				engr	0° ± 2°	1:1	product family PwrBlade code 213		
				chr	Sincere He 11/23/07		size A 51915-144 sheet 2 of 4		
				oppd	Gary Hsieh 11/23/07		cage code 22526		
					Joseph Hsia 11/23/07				
sheet index	revision sheet								

Pro/E

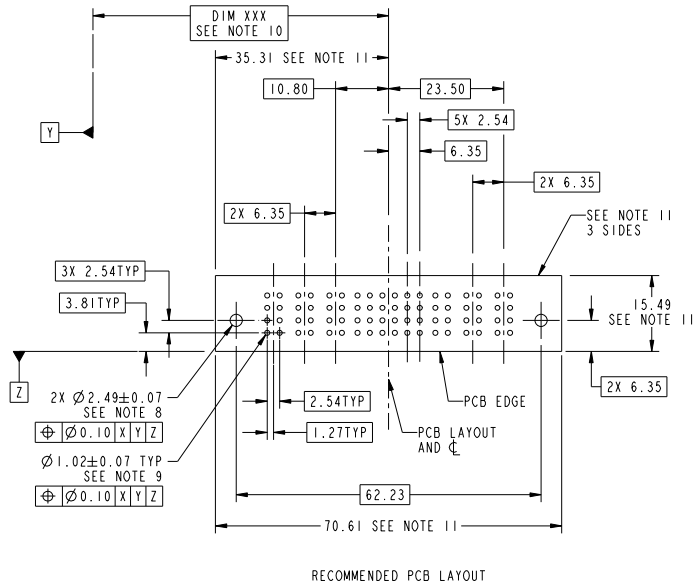
cage code 22526

Tous droits strictement réservés. Reproduction ou communication a des tiers interdite sous quelque forme que ce soit sans autorisation écrite du propriétaire. Propriété de FCI. Droits de reproduction FCI.



All rights strictly reserved. Reproduction or issue to third parties in any form whatever is not permitted without written authority from the proprietor. Property of FCI. Copyright FCI.

PRODUCT NUMBER
51915-144...
NOTE 3



RECOMMENDED PCB LAYOUT

mat'l code				SEE NOTE 2		tolerances unless otherwise specified		CUSTOMER	
ltr	ecn no.	dr	date	linear	0.X ± 0.3	projection	COPY	FCI www.fciconnect.com	
A				angles	0.XX ± 0.13	MM	title	3P + 24S + 3P R/A SOLDER RECEPTACLE	
				dr	0.XXX ± 0.051	scale	product family	PwrBlade	code
				enr	0° ± 2°	1:1	size	51915-144	213
				chr	Sincere He 11/23/07		dwg no		sheet
				oppd	Sincere He 11/23/07				3 of 4
					Gary Hsieh 11/23/07				
					Joseph Hsiao 11/23/07				
sheet index	revision sheet							cage code	22526

Tous droits strictement réservés. Reproduction ou communication à des tiers interdite sous quelque forme que ce soit sans autorisation écrite du propriétaire. Propriété de E. FCI. Droits de reproduction FCI.

All rights strictly reserved. Reproduction or issue to third parties in any form whatever is not permitted without written authority from the proprietor. Property of FCI. Copyright FCI.

PRODUCT NUMBER
51915-144_
NOTE 3

NOTES:

1. DIMENSIONS AND TOLERANCES ARE IN ACCORDANCE WITH ASME Y14.5M, 1994 UNLESS OTHERWISE SPECIFIED.

CONNECTOR NOTES:

- 2. HOUSING MATERIAL: UL 94 V-0 GLASS FILLED HIGH-TEMP THERMOPLASTIC
POWER CONTACT MATERIAL: COPPER ALLOY
SIGNAL PIN MATERIAL: COPPER ALLOY
- 3. PLATING:
51915-144, 51915-144LF PLATING SPEC. WAS SHOWN IN THE PRINT OF 10064183.
- 4. MANUFACTURER'S NAME, P/N, AND DATE CODE TO APPEAR ON THIS SURFACE.
- 5. PRODUCT SPECIFICATION GS-12-149.
APPLICATION SPECIFICATION BUS-20-067.
- 6. PACKAGED IN TRAYS.

PCB NOTES:

- 7. ALL HOLE DIAMETERS ARE FINISHED HOLE SIZE.
- 8. MOUNTING HOLES, WHERE APPLICABLE, ARE UNPLATED.
- 9. $\varnothing 1.151 \pm 0.025$ DRILLED HOLES PLATED WITH 0.008 MIN SnPb OR Sn OVER 0.03 TO 0.08 Cu PLATING TO ACHIEVE $\varnothing 1.02 \pm .07$ HOLE.
- 10. "DIM XXX" TO BE DETERMINED BY THE CUSTOMER.
- 11. CONNECTOR KEEP-OUT ZONE.

mat'l code		SEE NOTE 2		tolerances unless otherwise specified		CUSTOMER		FCI		www.fciconnect.com	
ltr	ecm no.	dr	date	linear	0.X ± 0.3	projection	COPY	title			
A					0.XX ± 0.13			3P + 24S + 3P R/A SOLDER RECEPTACLE			
				angles	0° ± 2°			product family		PwrBlade	code
		dr	Sincere He	11/23/07		size	dwg no	213		sheet	
		engr	Sincere He	11/23/07		scale	51915-144	4 of 4			
		chr	Gary Hsieh	11/23/07		1:1					
		appd	Joseph Hsia	11/23/07							
sheet index	revision sheet										

cage code 22526

Pro/E