

Excellent Integrated System Limited

Stocking Distributor

Click to view price, real time Inventory, Delivery & Lifecycle Information:

[FCI](#)

[51923-003LF](#)

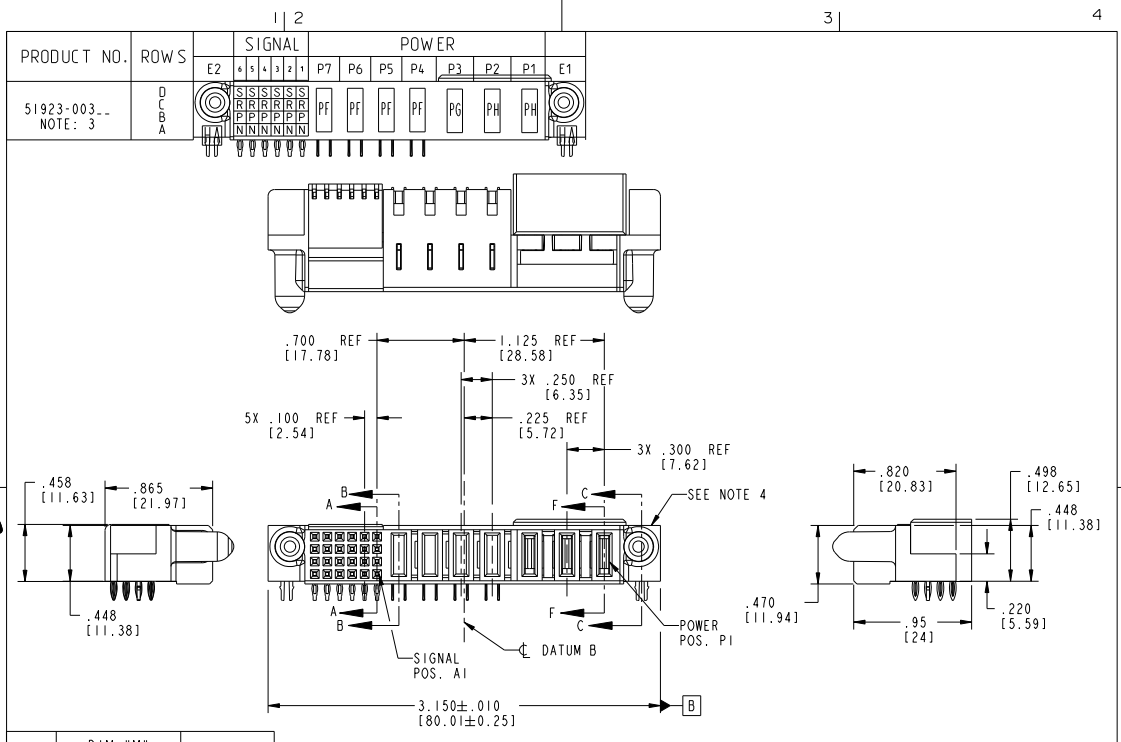
For any questions, you can email us directly:

sales@integrated-circuit.com

Tous droits strictement réservés. Reproduction ou communication, en des lieux interdite
 sous quelque forme que ce soit sans autorisation écrite du propriétaire.
 Propriété de c FCI. Droits de reproduction FCI.



All rights strictly reserved. Reproduction or issue in third parties in any
 form whatever is not permitted without written authority from the proprietor.
 Property of FCI. Copyright FCI.



CODE	DIM "M" MATING LENGTH	CONTACT TYPE
N	N/A [N/A]	SIGNAL
P	N/A [N/A]	SIGNAL
R	N/A [N/A]	SIGNAL
S	N/A [N/A]	SIGNAL
PF	.092 [2.34]	POWER
PG	.042 [1.07]	POWER
PH	.092 [2.34]	POWER
HA	N/A [N/A]	HOLD-DOWN

ltr	ecn no.	dr	date	linear	tolerances unless otherwise specified
A	V04-1008	TAB	10/06/04	linear	XX±.01/0.XX±0.3
B	DG05-0570	6vs.M	12/27/05		XXX±.005/0.XX±0.13
C	DG08-0273	WD	12/12/08	angles	XXXX±.0020/0.XX±0.051
				dr	I. BRUNGARD 10/06/04
				enr	M. GRAY 10/06/04
				chr	M. GRAY 10/06/04
				oppd	M. GRAY 10/06/04

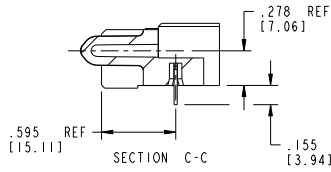
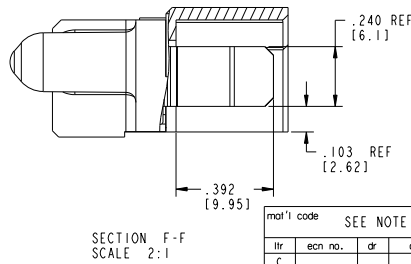
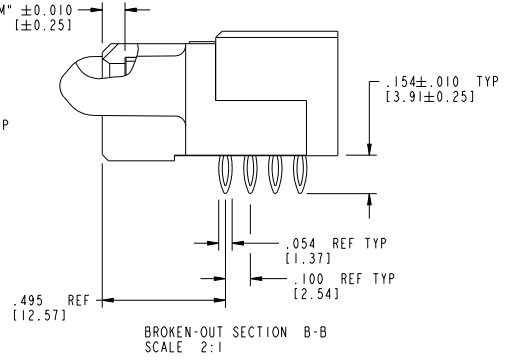
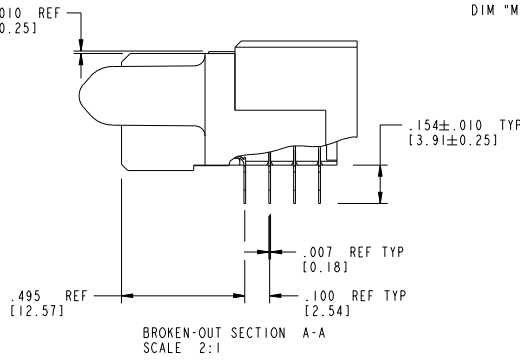
CUSTOMER		FCI	
www.fciconnect.com		www.fciconnect.com	
COPY		projection	
title		3ACP + 4P + 24S	
R/A PF RCPT CABLE PORT		product family PwrBlade	
size		code	
A		213	
51923-003		sheet	
		1 of 4	
scale 1:1		code code 22526	

Tous droits strictement réservés. Reproduction ou communication, en des lieux interdites sans aucune forme que ce soit sans autorisation écrite du propriétaire. Propriété de c FCI. Droits de reproduction FCI.



All rights strictly reserved. Reproduction or issue in third parties in any form whatever is not permitted without written authority from the proprietor. Property of FCI. Copyright FCI.

PRODUCT NUMBER
51923-003...
NOTE: 3



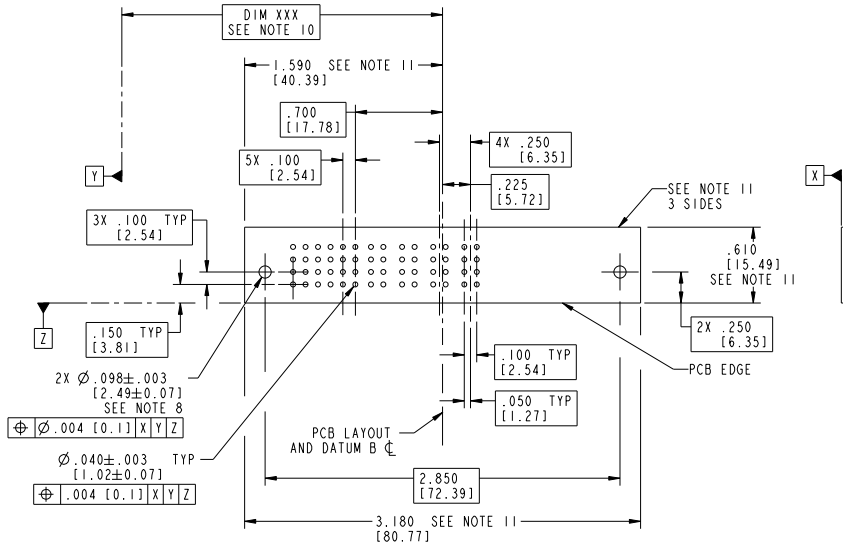
mat'l code				SEE NOTE 2		tolerances unless otherwise specified		CUSTOMER		FCI	
ltr	ecm no.	dr	date	linear	XX±.01/0.XX+0.3	projection	COPY		www.fciconnect.com		
C				angles	XXX±.005/0.XX+0.13	⊕	title		3ACP + 4P + 24S		
				dr	XXX±.0020/0.XX+0.051	⊕	R/A PF RCPT CABLE PORT				
				engr	T. BRUNGARD 10/06/04	INCH/MM	product family		PwrBlade		
				chr	M. GRAY 10/06/04	scale	size		213		
				oppd	M. GRAY 10/06/04	1:1	dwg no		2 of 4		
sheet index	revision sheet						A		51923-003		
							code code		22526		

Tous droits strictement réservés. Reproduction ou communication, en des lieux interdite sans aucune forme, que ce soit sans autorisation écrite du propriétaire. Propriété de FCI. Droits de reproduction FCI.



All rights strictly reserved. Reproduction or issue in any form wherever is not permitted without written authority from the proprietor. Property of FCI. Copyright FCI.

PRODUCT NUMBER
51923-003...
NOTE: 3



mat'l code		SEE NOTE 2	tolerances unless otherwise specified		CUSTOMER	FCI www.fciconnect.com	
ltr	ecm no.	dr	date	linear	COPY	title	
C				$XX \pm .01 / 0, XX \pm 0,3$	projection	3ACP + 4P + 24S	
				$XXX \pm .005 / 0, XX \pm 0,13$		R/A PF RCPT CABLE PORT	
				$XXXX \pm .0020 / 0, XX \pm 0,051$	INCH/MM	product family	PwrBlade
				angles	scale	size	code
				dr	1:1	dwg no	213
				enrg		51923-003	sheet
				chr			3 of 4
				oppd			
sheet index	revision sheet					cage code	
						22526	

Pro/E

Tous droits strictement réservés. Reproduction ou communication, en des lieux interdite sans aucune forme ou en son sans autorisation écrite du propriétaire. Propriété de c FCI. Droits de reproduction FCI.



All rights strictly reserved. Reproduction or issue in third parties in any form whatever is not permitted without written authority from the proprietor. Property of FCI. Copyright FCI.

PRODUCT NUMBER
51923-003..
NOTE: 3

NOTES:

1. DIMENSIONS AND TOLERANCES ARE IN ACCORDANCE WITH ASME Y14.5M, 1994 UNLESS OTHERWISE SPECIFIED.

CONNECTOR NOTES:

- ② HOUSING MATERIAL: UL 94 V-0 GLASS FILLED HIGH-TEMP THERMOPLASTIC
POWER CONTACT MATERIAL: COPPER ALLOY
SIGNAL PIN MATERIAL: COPPER ALLOY
- ③ SEE ITEM 5 & 5 IN PRINT 10064183 FOR PLATING SPEC OF 51923-003 AND 51923-003LF RESPECTIVELY.

④ MANUFACTURER'S NAME, P/N, AND DATE CODE TO APPEAR ON THIS SURFACE.

5. PRODUCT SPECIFICATION GS-12-149.
APPLICATION SPECIFICATION BUS-20-067.

6. PACKAGED IN TRAYS.

PCB NOTES:

7. ALL HOLE DIAMETERS ARE FINISHED HOLE SIZE.

⑧ MOUNTING HOLES, WHERE APPLICABLE, ARE UNPLATED.

⑨ $\varnothing .0453 \pm .0010$ [1.151 ± 0.025] DRILLED HOLES PLATED WITH .0003 [0.008] MIN SnPb OVER .001 [0.03] TO .003 [0.08] Cu PLATING TO ACHIEVE $\varnothing .040 \pm .003$ [1.02 ± .07] HOLE.

⑩ "DIM XXX" TO BE DETERMINED BY THE CUSTOMER.

⑪ CONNECTOR KEEP-OUT ZONE.

12. USE FCI CAM TOOL 430140-019 TO APPLY CONNECTOR TO PCB.

13. A Δ SYMBOL WILL BE NEXT TO ANY DIMENSION, VIEW, OR NOTE WHICH HAS BEEN MODIFIED WITH THE CURRENT DRAWING REVISION.

mat'l code		SEE NOTE 2	tolerances unless otherwise specified	CUSTOMER	www.fciconnect.com title 3ACP + 4P + 24S R/A PF RCPT CABLE PORT product family PwrBlade code 213 size dwg no 51923-003 sheet 4 of 4 scale 1:1
ltr	ecm no.	dr	date	lineor	
C				linear	$VI \pm .01/0$ $VI \pm 0.3$ $VII \pm .005/0$ $VII \pm 0.13$ $VIII \pm .0020/0$ $VIII \pm 0.051$ $0 \pm .00$
				angles	
				dr	T. BRUNGARD 10/06/04
				enrg	M. GRAY 10/06/04
				chr	M. GRAY 10/06/04
				oppd	M. GRAY 10/06/04
sheet index	revision sheet				

1 | 2

Pro/E

3 |

cage code 22526

4