

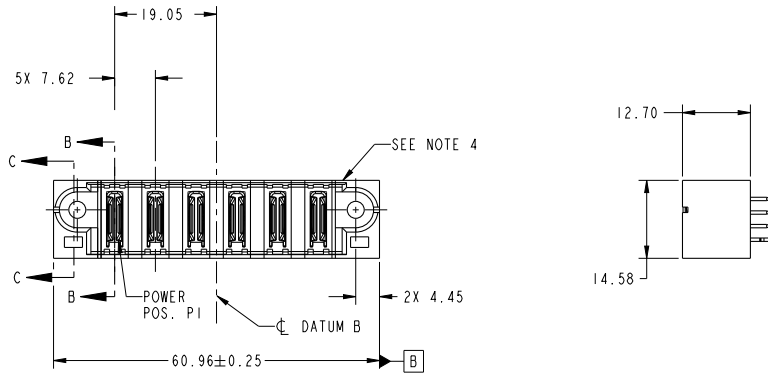
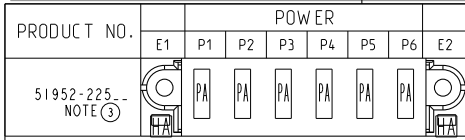
Excellent Integrated System Limited

Stocking Distributor

Click to view price, real time Inventory, Delivery & Lifecycle Information:

[FCI](#)
[51952-225LF](#)

For any questions, you can email us directly:
sales@integrated-circuit.com



CODE	DIM "M" MATING LENGTH	CONTACT TYPE
PA	[N/A]	POWER
HA	[N/A]	HOLD-DOWN

spec ref	SEE NOTE		dr	Ruan MT	2012/08/09	projection		size	A4	scale	1:1
tolerance std	TOLERANCES UNLESS OTHERWISE SPECIFIED		eng	Ruan MT	2013/04/08		product family	PwrBlade	ecn no	rel level	Released
SEE NOTE			chr	-	-						
surface	linear	0.X ±0.5	appr	Pei-Ming Zheng	2013/04/08	6ACP		6ACP	51952-225	rev	A
		0.XX ±0.25			VERTICAL PRESS FIT HEADER						
		0.XXX ±0.1	www.fci.com		cat. no.		Product - Customer Drw		sheet 1 of 4		
	angular	0° ±2°									

Print File - REV C - 2009-08-09

1

2

3

PDS: Rev :A

STATUS:Released

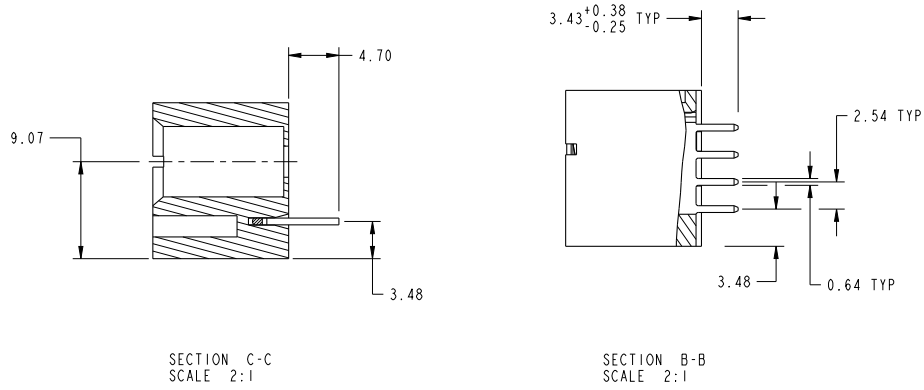
Printed: Apr 08, 2013



Copyright FCI.

D

PRODUCT NUMBER
51952-225--
NOTE 3



SECTION C-C
SCALE 2:1

SECTION B-B
SCALE 2:1

spec ref	SEE NOTE			dr	Ruan MT	2012/08/09	projection	MM	size	A4	scale	1:1			
tolerance std	TOLERANCES UNLESS OTHERWISE SPECIFIED			eng	Ruan MT	2013/04/08			ecn no	-	rel level	Released			
SEE NOTE				chr	-	appr			Pei-Ming Zheng	2013/04/08	product family	PwrBlade	rev	A	
surface	linear	0.X	±0.5					6ACP	51952-225						
		0.XX	±0.25					VERTICAL PRESS FIT HEADER							
		0.XXX	±0.1					www.fci.com							
	angular	0°	±2°	cat. no.	-			Product - Customer Drw	sheet 2 of 4						

Print File - REV C - 2009-08-09

1

2

3

PDS: Rev :A

STATUS:Released

Printed: Apr 08, 2013



Copyright FCI.

PRODUCT NUMBER
51952-225--
NOTE 3

NOTES:

1. DIMENSIONS AND TOLERANCES ARE IN ACCORDANCE WITH ASME Y14.5M, 1994 UNLESS OTHERWISE SPECIFIED.

CONNECTOR NOTES:

- ② HOUSING MATERIAL: UL 94 V-0 GLASS FILLED HIGH-TEMP THERMOPLASTIC
POWER CONTACT MATERIAL: COPPER ALLOY
SIGNAL PIN MATERIAL: COPPER ALLOY
 - 3. SEE ITEM 1 & 2 IN PRINT 10064183 FOR PLATING SPEC OF 51952-225 AND 51952-225LF RESPECTIVELY.
 - ④ MANUFACTURER'S NAME, DATE CODE AND OPTIONAL P/N TO APPEAR ON THIS SURFACE. THE MARK CAN BE OMITTED IF THERE IS NOT ENOUGH SPACE ON THIS SURFACE.
 - 5. PRODUCT SPECIFICATION GS-12-149.
APPLICATION SPECIFICATION BUS-20-067.
 - 6. PACKAGED IN TRAYS.
- PCB NOTES:
- 7. ALL HOLE DIAMETERS ARE FINISHED HOLE SIZE.
 - 8. MOUNTING HOLES, WHERE APPLICABLE, ARE UNPLATED.
 - ⑨ $\varnothing 1.151 \pm 0.025$ DRILLED HOLES PLATED WITH
0.008 MIN SnPb OR Sn OVER .001 [0.03]
TO 0.08 Cu PLATING TO ACHIEVE
 $\varnothing 1.02 \pm 0.07$ HOLE.
 - ⑩ "DIM XXX" TO BE DETERMINED BY THE CUSTOMER.
 - ⑪ CONNECTOR KEEP-OUT ZONE.

spec ref	SEE NOTE			dr	Ruan MT	2012/08/09	projection	MM	size	A4	scale	1:1	
tolerance std	TOLERANCES UNLESS OTHERWISE SPECIFIED			eng	Ruan MT	2013/04/08			ecn no	-			
SEE NOTE				chr	-	-		product family	PwrBlade	rel level	Released		
surface	linear	0.X	± 0.5	appr	Pei-Ming Zheng	2013/04/08	 title 6ACP VERTICAL PRESS FIT HEADER www.fci.com	cat. no.	-	Product - Customer Drw	sheet 4 of 4	rev	A
		0.XX	± 0.25					dwg no	51952-225				
		0.XXX	± 0.1										
	angular	0°	$\pm 2^\circ$										

Print File : REC - 2009-01-09



Copyright FCI.