

## Excellent Integrated System Limited

Stocking Distributor

Click to view price, real time Inventory, Delivery & Lifecycle Information:

[FCI](#)

[51963-042LF](#)

For any questions, you can email us directly:

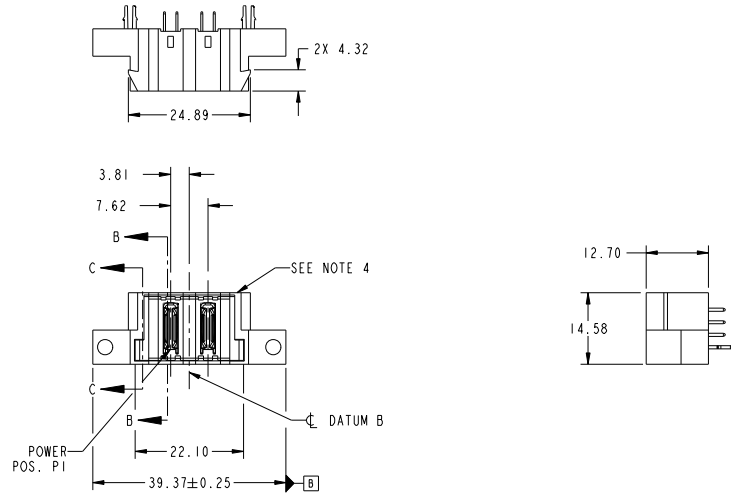
[sales@integrated-circuit.com](mailto:sales@integrated-circuit.com)

Tous droits strictement réservés. Reproduction ou communication à des tiers interdite sous quelque forme que ce soit sans autorisation écrite du propriétaire. Propriété de C.FCI. Droits de reproduction FCI.



All rights strictly reserved. Reproduction or issue to third parties in any form whatever is not permitted without written authority from the proprietor. Property of FCI. Copyright FCI.

PRODUCT NO.	POWER			
	E1	P1	P2	E2
51963-042	HA	PA	PA	HA
NOTE ③				



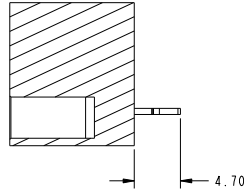
CODE	DIM "M" MATING LENGTH	CONTACT TYPE
PA	[N/A]	POWER
HA	[N/A]	HOLD-DOWN

mat'l code				tolerances unless otherwise specified				CUSTOMER		FCI	
ltr	ecm no.	dr	date					COPY		www.fciconnect.com	
A	DG09-0330	WL	10/27/09	linear	0.X ± 0.5	projection	title		2ACP		
					0.XX ± 0.25	MM	VERTICAL SOLDER HEADER				
				angles	0° ± 2°	scale	product family		PwrBlade		
				dr	WL ZHANG 10/27/09	size	dwg no		code		
				enrg	JEROME CHEN 10/27/09	A	51963-042		213		
				chr	PW ZHENG 10/27/09	1:1			sheet		
				oppd	JOSEPH HSIA 10/27/09				1 of 4		
sheet index	revision sheet	A	A	A	A		cage code		4		
1	2	3	4				22526				

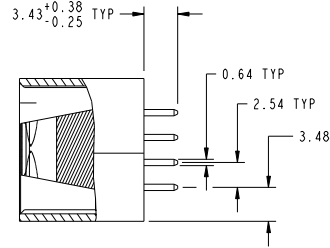
Tous droits strictement réservés. Reproduction ou communication à des tiers interdite sous quelque forme que ce soit sans autorisation écrite du propriétaire. Propriété de FCI. Droits de reproduction FCI.

All rights strictly reserved. Reproduction or issue to third parties in any form whatever is not permitted without written authority from the proprietor. Property of FCI. Copyright FCI.

PRODUCT NUMBER  
51963-042...  
NOTE 3



SECTION C-C  
SCALE 2:1



SECTION B-B  
SCALE 2:1

mat'l code				tolerances unless otherwise specified		CUSTOMER		FCI	
ltr	ecn no.	dr	date	linear	0.X ±0.5	COPY	www.fciconnect.com		
A					0.XX ±0.25	projection		title 2ACP VERTICAL SOLDER HEADER	
				angles	0.XXX ±0.1			product family PwrBlade code 213	
				dr	0° ±2°	MM		size dwg no 51963-042 sheet 2 of 4	
				enr	WL ZHANG 10/27/09	scale	1:1	cage code 22526	
				chr	JEROME CHEN 10/27/09				
				oppd	PW ZHENG 10/27/09				
					JOSEPH HSIA 10/27/09				
sheet index	revision sheet								

Pro/E

PDM: Rev:A

STATUS: Released

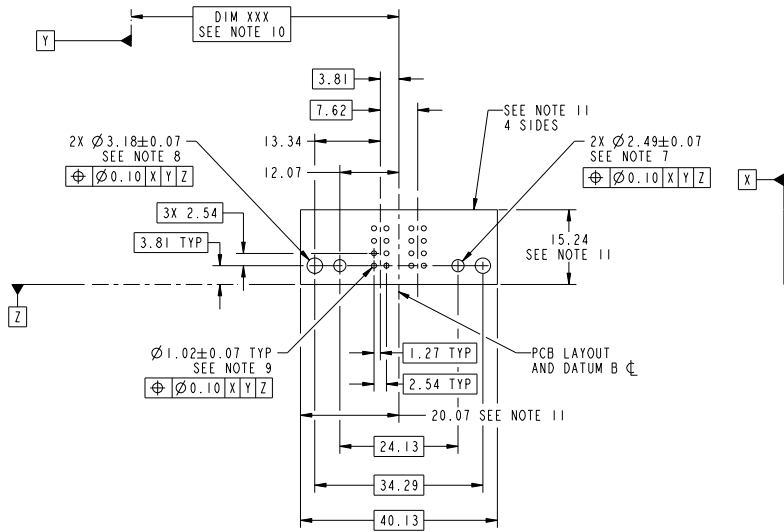
Printed: Dec 20, 2010

Tous droits strictement réservés. Reproduction ou communication à des tiers interdite sous quelque forme que ce soit sans autorisation écrite du propriétaire. Propriété de FCI. Droits de reproduction FCI.

All rights strictly reserved. Reproduction or issue to third parties in any form whatever is not permitted without written authority from the proprietor. Property of FCI. Copyright FCI.



PRODUCT NUMBER  
51963-042...  
NOTE 3



mat'l code				tolerances unless otherwise specified		CUSTOMER	
ltr	ecn no.	dr	date	0.X ± 0.5	COPY	www.fciconnect.com	
A				0.XX ± 0.25	projection	title	
				0.XXX ± 0.1		VERTICAL SOLDER HEADER	
				angles 0° ± 2°	MM	product family	Pwr Blade
		dr	WL ZHANG	10/27/09	size	dwg no	code
		enr	JEROME CHEN	10/27/09	scale	51963-042	213
		chr	PM ZHENG	10/27/09	1:1		sheet
		oppd	JOSEPH HSIA	10/27/09			3 of 4
sheet index	revision sheet					cage code	22526

Tous droits strictement réservés. Reproduction ou communication à des tiers interdite sous quelque forme que ce soit sans autorisation écrite du propriétaire. Propriété de FCI. Droits de reproduction FCI.

All rights strictly reserved. Reproduction or issue to third parties in any form whatever is not permitted without written authority from the proprietor. Property of FCI. Copyright FCI.

**PRODUCT NUMBER**  
51963-042-\_-  
NOTE 3

**NOTES:**

1. DIMENSIONS AND TOLERANCES ARE IN ACCORDANCE WITH ASME Y14.5M, 1994 UNLESS OTHERWISE SPECIFIED.

**CONNECTOR NOTES:**

- ② HOUSING MATERIAL: UL 94 V-0 GLASS FILLED  
HIGH-TEMP THERMOPLASTIC  
POWER CONTACT MATERIAL: COPPER ALLOY  
SIGNAL PIN MATERIAL: COPPER ALLOY
- 3. PLATING:  
SEE ITEM 1 & 2 IN PRINT 10064183 FOR PLATING SPEC OF 51963-042; 51963-042LF PRESPECTIVELY

④ MANUFACTURER'S NAME, DATE CODE AND OPTIONAL P/N TO APPEAR ON THIS SURFACE.  
THE P/N CAN BE OMITTED IF THERE IS NOT ENOUGH SPACE ON THIS SURFACE

5. PRODUCT SPECIFICATION GS-12-149.  
APPLICATION SPECIFICATION BUS-20-067.

6. PACKAGED IN TRAYS.

**PCB NOTES:**

- 7. ALL HOLE DIAMETERS ARE FINISHED HOLE SIZE.
- 8. MOUNTING HOLES, WHERE APPLICABLE, ARE UNPLATED.

⑨  $\varnothing 1.151 \pm 0.025$  DRILLED HOLES PLATED WITH  
0.008 MIN SnPb OR Sn OVER .001 (.03)  
TO 0.08 Cu PLATING TO ACHIEVE  
 $\varnothing 1.02 \pm .07$  HOLE.

⑩ "DIM XXX" TO BE DETERMINED BY THE CUSTOMER.

⑪ CONNECTOR KEEP-OUT ZONE.

mat'l code				tolerances unless otherwise specified		CUSTOMER		FCI	
ltr	ecm no.	dr	date	linear	0.X ± 0.5	COPY		www.fciconnect.com	
A					0.XX ± 0.25	projection	title		
					0.XXX ± 0.1		VERTICAL SOLDER HEADER		
				angles	0° ± 2°		product family	Pwr Blade	code
				dr	WL ZHANG 10/27/09	scale	size	dwg no	213
				engr	JEROME CHEN 10/27/09	1:1	A	51963-042	sheet
				chr	PM ZHENG 10/27/09				4 of 4
				oppd	JOSEPH HSIA 10/27/09				
sheet index	revision sheet								

Pro/E

cage code 22526