

Excellent Integrated System Limited

Stocking Distributor

Click to view price, real time Inventory, Delivery & Lifecycle Information:

[Panduit](#)
[FR4PRB58](#)

For any questions, you can email us directly:

sales@integrated-circuit.com

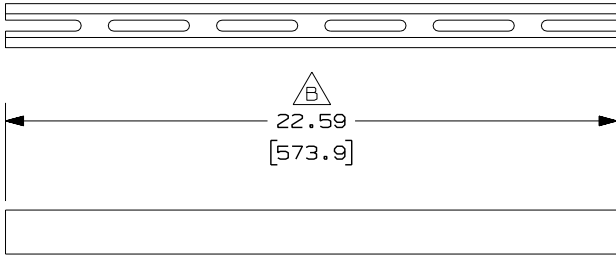
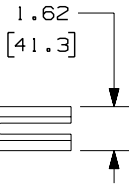
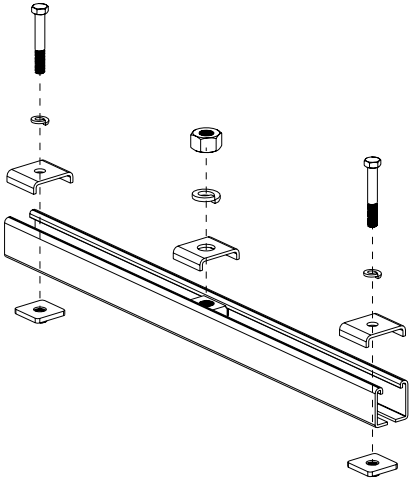


Distributor of Panduit: Excellent Integrated System Limited

Datasheet of FR4PRB58 - CABLE DUCT BRACKET

Contact us: sales@integrated-circuit.com Website: www.integrated-circuit.com

THIS COPY IS PROVIDED ON A RESTRICTED BASIS AND IS NOT TO BE USED IN ANY WAY DETRIMENTAL TO THE INTERESTS OF PANDUIT CORP.



NOTES:

1. SEE CURRENT CATALOG FOR ADDITIONAL PART SUFFIXES TO INDICATE PACKAGE QUANTITY.
2. THE FIBER ROUTING 4-POST RACK BRACKET ALLOWS FOR 5/8" THREADED ROD (NOT INCLUDED) TO BE MOUNTED TO THE TOP OF A PANDUIT 4-POST RACK (CMR4P84).
3. THE FIBER ROUTING 4-POST RACK BRACKET KIT INCLUDES:
 - ONE (1) STRUT METAL FRAMING CHANNEL,
 - TWO (2) SQUARE NUT PEM SELF-CLINCHING ASSEMBLIES,
 - TWO (2) STRUT METAL FRAMING CHANNEL U-WASHERS - 7/16" HOLE,
 - TWO (2) 3/8" HELICAL SPRING LOCKWASHERS,
 - TWO (2) 3/8-16x2 1/2" HEX HEAD CAP SCREWS,
 - ONE (1) STRUT METAL FRAMING CHANNEL U-WASHER - 11/16" HOLE,
 - ONE (1) 5/8" HELICAL SPRING LOCKWASHER,
 - ONE (1) 5/8-11 HEAVY HEX NUT,
 - ONE (1) 5/8-11 CHANNEL NUT WITHOUT SPRING
4. FINISH COLOR: BLACK (EXCEPT FOR HARDWARE).
5. DIMENSIONS IN PARENTHESES ARE IN METRIC.

PANDUIT P/N	WEIGHT
FR4PRB58	4.39 LB/EACH 1990g/EACH



ENG. REF.: D38780BN_DC_FR4PRB58_01.prt

CAD FILENAME/LAYERS FR4PRB58.pdf	
<h1 style="margin: 0;">PANDUIT</h1>	CORP TINLEY PARK, ILLINOIS
FIBER ROUTING 4-POST RACK BRACKET - 5/8" THREADED ROD (FR4PRB58)	
CUSTOMER DRAWING	
UNLESS OTHERWISE SPECIFIED, DIMENSIONAL TOLERANCES ARE: (.X) ± (.XXX) ± (.XX) ± .03 (.8) ANGLES ±	
UNLESS OTHERWISE SPECIFIED, ALL DIMENSIONS ARE GIVEN IN INCHES, THIRD ANGLE PROJECTION.	
- - - - - - - - - - - - C. REVISED PART WEIGHT.	SCALE NONE
1 7-10-07 MSO RN B. REVISED PART GEOMETRY. A. REVISED DRAWING TITLE. 38780-10 RN RN	DRAWN BY MSO DATE 5-18-04 CHECK'D RPA
R 5-18-04 MSO RPA RELEASED TO PRODUCTION 38780-10 RN RN	MATERIAL STEEL
REV DATE BY CHK DESCRIPTION ECN R CUST SUP GMBH	DRAWING NO. 38780-10 DWG SIZE A

REV	DATE	BY	CHK	DESCRIPTION	ECN	R	CUST	SUP	GMBH
1	7-10-07	MSO	RN	B. REVISED PART GEOMETRY. A. REVISED DRAWING TITLE.	38780-10	RN	RN		
R	5-18-04	MSO	RPA	RELEASED TO PRODUCTION	38780-10	RN	RN		