

Excellent Integrated System Limited

Stocking Distributor

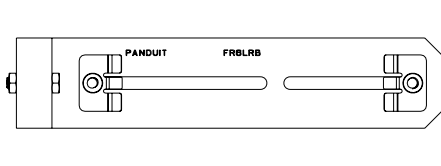
Click to view price, real time Inventory, Delivery & Lifecycle Information:

[Panduit](#)
[FR6LRB](#)

For any questions, you can email us directly:

sales@integrated-circuit.com

THIS COPY IS PROVIDED ON A RESTRICTED BASIS AND IS NOT TO BE USED IN ANY WAY DETRIMENTAL TO THE INTERESTS OF PANDUIT CORP.



2.00 [50.8]

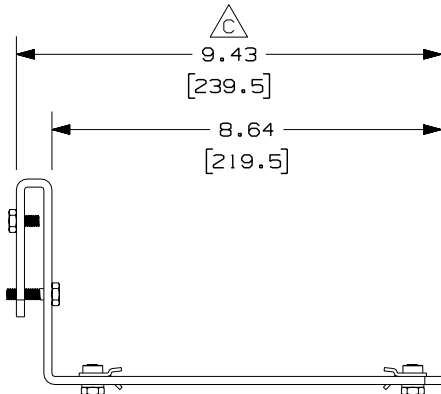
△1 △B

NOTES:

1. SEE CURRENT CATALOG FOR ADDITIONAL PART SUFFIXES TO INDICATE PACKAGE QUANTITY.
2. THE FIBERRUNNER 4x4 AND 6x4 QUIKLOCK LADDER RACK BRACKET IS USED TO SUPPORT THE FIBERRUNNER 4x4 AND/OR 6x4 CABLE ROUTING SYSTEMS FROM A 3/8"x1 1/2" (9.5x38.1) OR A 3/8"x2" (9.5x50.8) LADDER RACK STRINGER WITHOUT THE USE OF THREADED ROD.
3. THE FIBERRUNNER 4x4 AND 6x4 QUIKLOCK LADDER RACK BRACKET INCLUDES: ONE (1) BRACKET ASSEMBLY.
4. FINISH COLOR: BLACK (EXCEPT FOR HARDWARE)
5. DIMENSIONS IN PARENTHESES ARE IN METRIC.

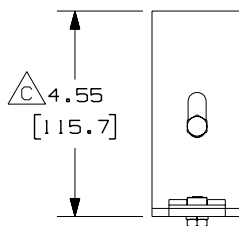
PANDUIT PART NUMBER	WEIGHT
FR6LRB	1.63 LB/EACH (738g/EACH)

△H



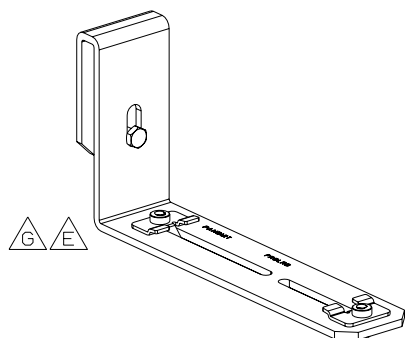
△C
9.43 [239.5]

8.64 [219.5]



△C 4.55 [115.7]

△D



△G △E

ENG. REF.: D37585BF_DC_FR6LRB_02.prt

CAD FILENAME/LAYERS △F FR6LRB.pdf

REV	DATE	BY	CHK	DESCRIPTION	ECN	R	CUST	SUP	GMBH
-	-----	---	--	J. REVISED DRAWING TITLE. I. REVISED GENERAL NOTES.	-----	--	--		
2	8-1-06	DTP	RN	H. REVISED PART WEIGHT. G. REVISED PART GEOMETRY.	37585-21	RN	RN		
-	-----	---	---	F. REVISED CAD FILENAME. E. REVISED PART GEOMETRY.	-----	--	--		
-	-----	---	---	D. REMOVED LOCAL NOTE. C. RELOCATED DIMENSIONS.	-----	--	--		
1	2-17-05	MSO	RPA	B. REVISED GENERAL NOTES. A. REVISED DRAWING TITLE.	37585-21	RN	RN		
R	5-11-00	MSO	CVV	RELEASED TO PRODUCTION	37585-21	HIW	HIW		

PANDUIT CORP TINLEY PARK, ILLINOIS	
FIBERRUNNER 4x4 AND 6x4 QUIKLOCK LADDER RACK BRACKET (FR6LRB) CUSTOMER DRAWING	
UNLESS OTHERWISE SPECIFIED: DIMENSIONAL TOLERANCES ARE: (.X) ± (XXX) ± (.XX) ±.03 (.8) ANGLES ±	
UNLESS OTHERWISE SPECIFIED, ALL DIMENSIONS ARE GIVEN IN INCHES, THIRD ANGLE PROJECTION.	
DRAWN BY: MSO DATE: 5-11-00 CHK'D: CVV	SCALE: NONE DRAWING NO.: 37585-21 DWG SIZE: A

STEEL