

## Excellent Integrated System Limited

Stocking Distributor

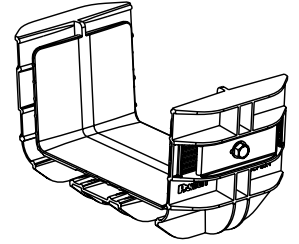
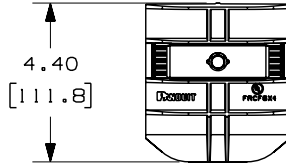
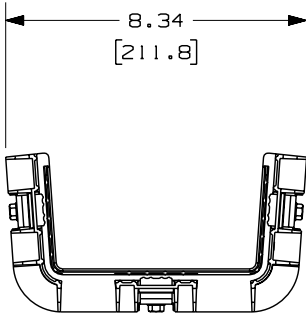
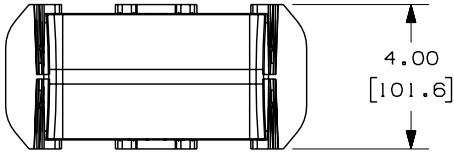
Click to view price, real time Inventory, Delivery & Lifecycle Information:

[Panduit](#)  
[FRBC6X4BL](#)

For any questions, you can email us directly:

[sales@integrated-circuit.com](mailto:sales@integrated-circuit.com)

THIS COPY IS PROVIDED ON A RESTRICTED BASIS AND IS NOT TO BE USED IN ANY WAY DETRIMENTAL TO THE INTERESTS OF PANDUIT CORP.



PANDUIT PART NUMBER	WEIGHT
FRBC6X4	0.77 LB/EACH (347g/EACH)



**NOTES:**

1. SEE CURRENT CATALOG FOR ADDITIONAL PART SUFFIXES TO INDICATE COLOR AND/OR PACKAGE QUANTITY.
2. DIMENSIONS IN PARENTHESES ARE IN METRIC.

ENG. REF.: D37185FH\_DC\_FRBC6X4\_03.prt

CAD FILENAME/LAYERS		△ FRBC6X4.pdf	
PANDUIT		CORP TINLEY PARK, ILLINOIS	
FIBERRUNNER 6x4 QUIKLOCK COUPLER (FRBC6X4) CUSTOMER DRAWING			
UNLESS OTHERWISE SPECIFIED, DIMENSIONAL TOLERANCES ARE:		UNLESS OTHERWISE SPECIFIED, ALL DIMENSIONS ARE GIVEN IN INCHES, THIRD ANGLE PROJECTION.	
( .X ) ± .03 ( .8 )		( .XXX ) ± .03 ( .8 )	
DRAWN BY: REWE		MATERIAL: △ K ABS AND STEEL	
DATE: 5-10-00		SCALE: NONE	
CHK'D: WAB		DRAWING NO.: 37185-80	
		DWG SIZE: A	

REV	DATE	BY	CHK	DESCRIPTION	ECN	R	CUST	SUP	GMBH
-	-----	---	---	K. REVISED MATERIAL J. REVISED PART WEIGHT	-----	--	--		
4	7-10-06	DTP	RN	I. REVISED CAD FILENAME H. REVISED AND REDRAWN	37185-80	RN	RN		