

Excellent Integrated System Limited

Stocking Distributor

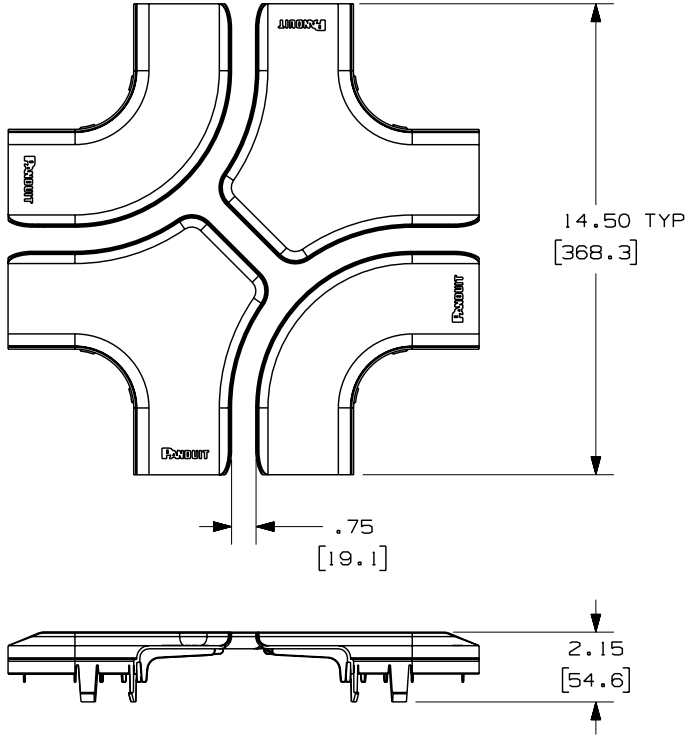
Click to view price, real time Inventory, Delivery & Lifecycle Information:

[Panduit](#)
[FRFWCSC6BL](#)

For any questions, you can email us directly:

sales@integrated-circuit.com

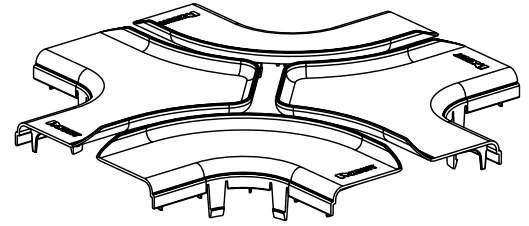
THIS COPY IS PROVIDED ON A RESTRICTED BASIS AND IS NOT TO BE USED IN ANY WAY DETRIMENTAL TO THE INTERESTS OF PANDUIT CORP.



PANDUIT PART NUMBER	WEIGHT
FRFWCSC6	0.72 LB/EACH (328g/EACH)

NOTES:

- SEE CURRENT CATALOG FOR ADDITIONAL PART SUFFIXES TO INDICATE COLOR AND/OR PACKAGE QUANTITY.
- THE FIBERRUNNER 6x4 FOUR-WAY CROSS SPLIT COVER REQUIRES NO TOOLS FOR INSTALLATION AND/OR REMOVAL. THE SPLIT COVER CREATES A 3/4" (19.1) RADIUS OPENING TO ALLOW FOR NEW CABLES TO BE ADDED WITHOUT THE NEED FOR REMOVING THE COVERS.
- DIMENSIONS IN PARENTHESES ARE IN METRIC.



ENG. REF.: D37185FB_DC_FRFWCSC6_01.prt

CAD FILENAME/LAYERS		FRFWCSC6.pdf	
PANDUIT CORP TINLEY PARK, ILLINOIS FIBERRUNNER 6x4 FOUR-WAY CROSS SPLIT COVER (FRFWCSC6) CUSTOMER DRAWING			
UNLESS OTHERWISE SPECIFIED, DIMENSIONAL TOLERANCES ARE: (.X) ± (.XXX) ± (.XX) ±.03 (.8) ANGLES ±		UNLESS OTHERWISE SPECIFIED, ALL DIMENSIONS ARE GIVEN IN INCHES, THIRD ANGLE PROJECTION.	
DRWN BY: REWE	MAT'L: ABS	SCALE: NONE	DWG SIZE: A
DATE: 5-5-00		DRAWING NO.: 37185-74	
CHK'D: SMF			

REV	DATE	BY	CHK	DESCRIPTION	ECN	R	CUST	SUP	GMBH
-	-----	---	--	G. REVISED GENERAL NOTES F. REVISED PART WEIGHT	-----	--	--		
2	6-27-06	DTP	RN	E. REVISED CAD FILENAME D. REVISED AND REDRAWN	37185-74	RN	RN		