

Excellent Integrated System Limited

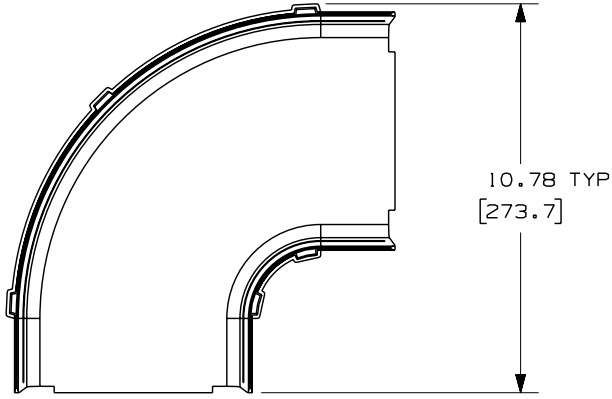
Stocking Distributor

Click to view price, real time Inventory, Delivery & Lifecycle Information:

[Panduit](#)
[FRRA6X4BL](#)

For any questions, you can email us directly:
sales@integrated-circuit.com

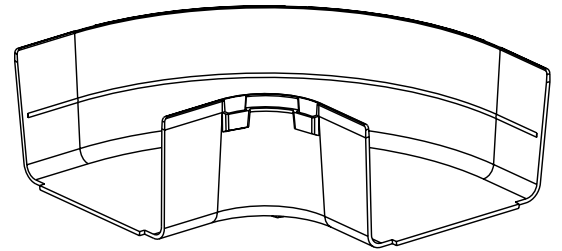
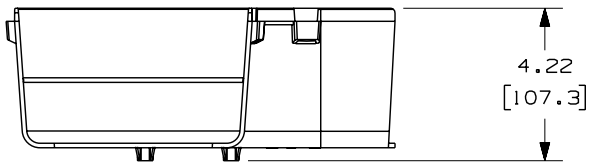
THIS COPY IS PROVIDED ON A RESTRICTED BASIS AND IS NOT TO BE USED IN ANY WAY DETRIMENTAL TO THE INTERESTS OF PANDUIT CORP.



PANDUIT PART NUMBER	WEIGHT
FRRA6X4	0.84 LB/EACH (382g/EACH)

NOTES:

1. SEE CURRENT CATALOG FOR ADDITIONAL PART SUFFIXES TO INDICATE COLOR AND/OR PACKAGE QUANTITY.
2. THE FIBERRUNNER 6x4 HORIZONTAL RIGHT ANGLE FITTING IS DESIGNED WITH A MINIMUM 2" (50.8) BEND RADIUS TO PROTECT FIBER OPTIC CABLES.
3. DIMENSIONS IN PARENTHESES ARE IN METRIC.



ENG. REF.: D37185EN_DC_FRRA6X4_02.prt

CAD FILENAME/LAYERS		1 FRRA6X4.pdf	
<p>PANDUIT CORP TINLEY PARK, ILLINOIS</p> <p>FIBERRUNNER 6x4 HORIZONTAL RIGHT ANGLE FITTING (FRRA6X4) CUSTOMER DRAWING</p>		UNLESS OTHERWISE SPECIFIED, DIMENSIONAL TOLERANCES ARE:	
		(.X) ± .03 (.8) (.XXX) ± .03 (.XX) ± .03 (.8) ANGLES ±	
UNLESS OTHERWISE SPECIFIED, ALL DIMENSIONS ARE GIVEN IN INCHES, THIRD ANGLE PROJECTION.		SCALE NONE	
DRAWN BY: REWE DATE: 4-28-00 CHK'D: HIW	MAT'L: ABS	DRAWING NO.	DWG SIZE
		37185-60	A

REV	DATE	BY	CHK	DESCRIPTION	ECN	R	SUP	GMBH
-	-----	---	---	J. REVISED GENERAL NOTES I. REVISED CAD FILENAME	-----	--	--	
3	7-12-06	DTP	RN	H. REVISED DRAWING TITLE G. REVISED AND REDRAWN	37185-60	RN	RN	