

Excellent Integrated System Limited

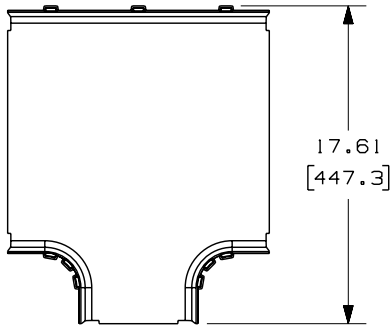
Stocking Distributor

Click to view price, real time Inventory, Delivery & Lifecycle Information:

[Panduit](#)
[FRT12X4W6BL](#)

For any questions, you can email us directly:
sales@integrated-circuit.com

THIS COPY IS PROVIDED ON A RESTRICTED BASIS AND IS NOT TO BE USED IN ANY WAY DETRIMENTAL TO THE INTERESTS OF PANDUIT CORP.

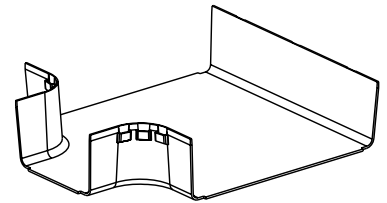
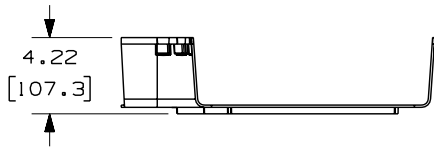
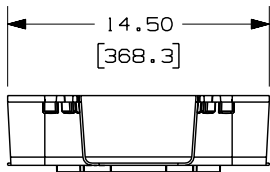


PANDUIT PART NUMBER	WEIGHT
FRT12X4W6	1.85 LB/EACH (838g/EACH)



NOTES:

1. SEE CURRENT CATALOG FOR ADDITIONAL PART SUFFIXES TO INDICATE COLOR AND/OR PACKAGE QUANTITY.
2. THE FIBERRUNNER 12x4 HORIZONTAL TEE FITTING WITH 6" EXIT IS DESIGNED WITH A MINIMUM 2" (50.8) BEND RADIUS TO PROTECT FIBER OPTIC CABLES.
3. DIMENSIONS IN PARENTHESES ARE IN METRIC.



ENG. REF.: D37617CM_DC_FRT12X4W6_01.prt

CAD FILENAME/LAYERS		B FRT12X4W6.pdf	
PANDUIT		CORP TINLEY PARK, ILLINOIS	
		FIBERRUNNER 12x4 HORIZONTAL TEE FITTING WITH 6" EXIT (FRT12X4W6) CUSTOMER DRAWING	
UNLESS OTHERWISE SPECIFIED, DIMENSIONAL TOLERANCES ARE:		UNLESS OTHERWISE SPECIFIED, ALL DIMENSIONS ARE GIVEN IN INCHES, THIRD ANGLE PROJECTION.	
(.)X) ± .03 (.8)		(.)XXX) ± .03 (.8)	
ANGLES ±		ANGLES ±	
DRAWN BY	JHNU	MAT'L:	ABS
DATE	12-28-00	SCALE	NONE
CHK'D	HIW	DRAWING NO.	37617-60
		DWG	A
		SIZE	A

REV	DATE	BY	CHK	DESCRIPTION	ECN	R	CUST	SUP	GMBH
-	-----	---	---	D. REVISED PART WEIGHT C. REVISED GENERAL NOTES	-----	--	--		
1	7-14-06	DTP	RN	B. REVISED CAD FILENAME A. REVISED AND REDRAWN	37617-60	RN	RN		