

## Excellent Integrated System Limited

Stocking Distributor

Click to view price, real time Inventory, Delivery & Lifecycle Information:

[Panduit](#)  
[FRTBWG18BL](#)

For any questions, you can email us directly:  
[sales@integrated-circuit.com](mailto:sales@integrated-circuit.com)

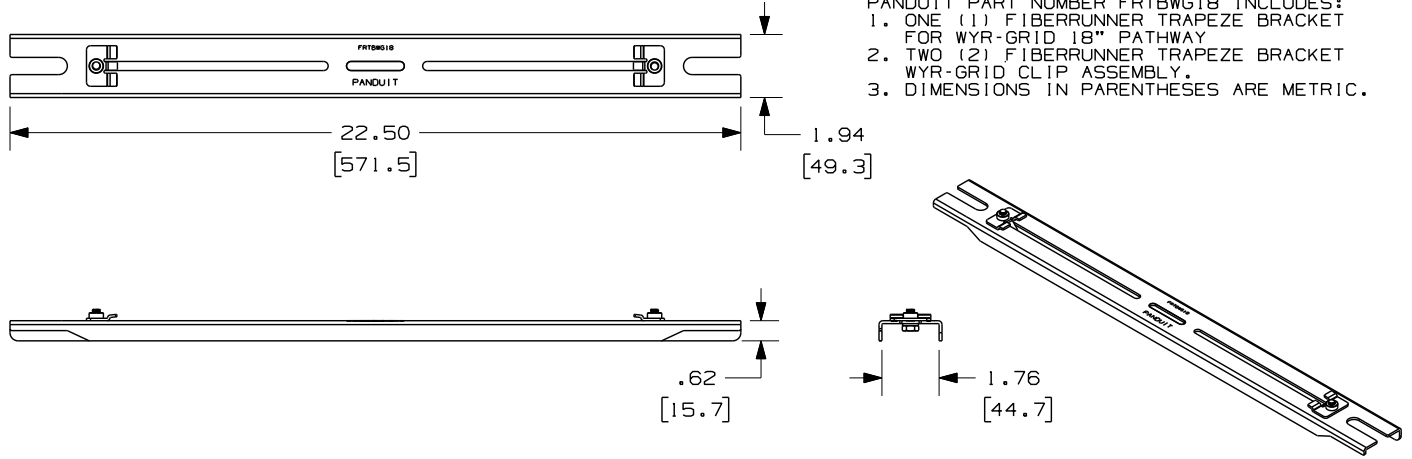


**Distributor of Panduit: Excellent Integrated System Limited**  
 Datasheet of FRTBWG18BL - CABLE DUCT TRAPEZE BUCKET

THIS COPY IS PROVIDED ON A RESTRICTED BASIS AND IS NOT TO BE USED IN ANY WAY DETRIMENTAL TO THE INTERESTS OF PANDUIT CORP.

PANDUIT PART NUMBER	WEIGHT
FRTBWG18	1.45 LBS/EACH (657.7 g/EACH)

**NOTES:**  
 PANDUIT PART NUMBER FRTBWG18 INCLUDES:  
 1. ONE (1) FIBERRUNNER TRAPEZE BRACKET FOR WYR-GRID 18" PATHWAY  
 2. TWO (2) FIBERRUNNER TRAPEZE BRACKET WYR-GRID CLIP ASSEMBLY.  
 3. DIMENSIONS IN PARENTHESES ARE METRIC.



CAD FILENAME/LAYERS 10D165AB\_DC/00A (FRTBWG18)

**PANDUIT** CORP. TINLEY PARK, ILLINOIS  
 FIBERRUNNER TRAPEZE BRACKET FOR WYR-GRID 18" PATHWAY (FRTBWG18)  
 CUSTOMER DRAWING

UNLESS OTHERWISE SPECIFIED, DIMENSIONAL TOLERANCES ARE:  
 (.X) ± (.XXX) ±  
 (.XX) ± (.01) (.3) ANGLES ±

UNLESS OTHERWISE SPECIFIED, ALL DIMENSIONS ARE GIVEN IN INCHES, THIRD ANGLE PROJECTION.

DRAWN BY JAHA MAT'L: NONE  
 DATE 8-3-10  
 SEE NOTES ABOVE

REV	DATE	BY	CHK	DESCRIPTION	ECN	CHK	CUST	SUP	CHK'D	DRAWING NO.	DWG SIZE
R	8-3-10	JAHA	EB	RELEASED TO PRODUCTION	10D165AB-DC	RN	RN		EB	10D165AB-DC	A