

Excellent Integrated System Limited

Stocking Distributor

Click to view price, real time Inventory, Delivery & Lifecycle Information:

[Panduit](#)
[FRTBWG30BL](#)

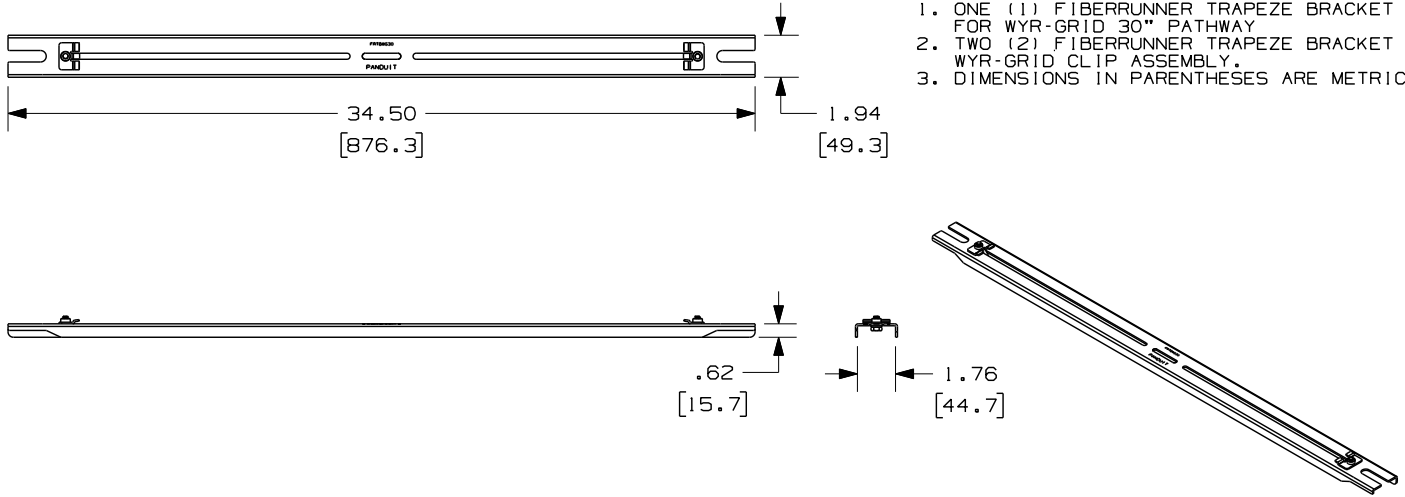
For any questions, you can email us directly:
sales@integrated-circuit.com



THIS COPY IS PROVIDED ON A RESTRICTED BASIS AND IS NOT TO BE USED IN ANY WAY DETRIMENTAL TO THE INTERESTS OF PANDUIT CORP.

PANDUIT PART NUMBER	WEIGHT
FRTBWG30	2.20 LBS/EACH (997.9 g/EACH)

NOTES:
 PANDUIT PART NUMBER FRTBWG30 INCLUDES:
 1. ONE (1) FIBERRUNNER TRAPEZE BRACKET FOR WYR-GRID 30" PATHWAY
 2. TWO (2) FIBERRUNNER TRAPEZE BRACKET WYR-GRID CLIP ASSEMBLY.
 3. DIMENSIONS IN PARENTHESSES ARE METRIC.



CAD FILENAME/LAYERS 10D165AD_DC/00A (FRTBWG30)

PANDUIT CORP. TINLEY PARK, ILLINOIS
 FIBERRUNNER TRAPEZE BRACKET FOR WYR-GRID 30" PATHWAY (FRTBWG30)
 CUSTOMER DRAWING

UNLESS OTHERWISE SPECIFIED, DIMENSIONAL TOLERANCES ARE:
 (.X) ± (.XXX) ±
 (.XX) ± (.01) (.3) ANGLES ±
 UNLESS OTHERWISE SPECIFIED, ALL DIMENSIONS ARE GIVEN IN INCHES, THIRD ANGLE PROJECTION.

DRAWN BY JAHA	MAT'L: SEE NOTES ABOVE	SCALE NONE
DATE 8-3-10		DRAWING NO. 10D165AD-DC
CHK'D EB		DWG A SIZE

REV	DATE	BY	CHK	DESCRIPTION	ECN	CHK	CUST	SUP
R	8-3-10	JAHA	EB	RELEASED TO PRODUCTION	10D165AD-DC	RN	RN	