

Excellent Integrated System Limited

Stocking Distributor

Click to view price, real time Inventory, Delivery & Lifecycle Information:

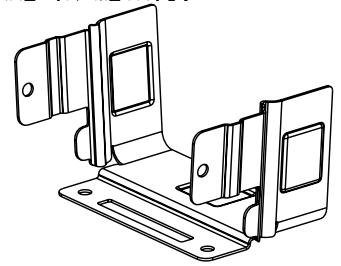
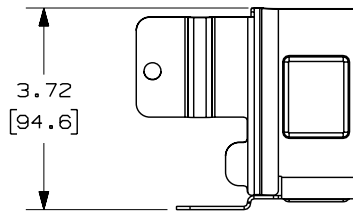
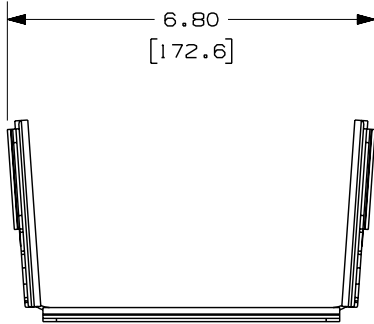
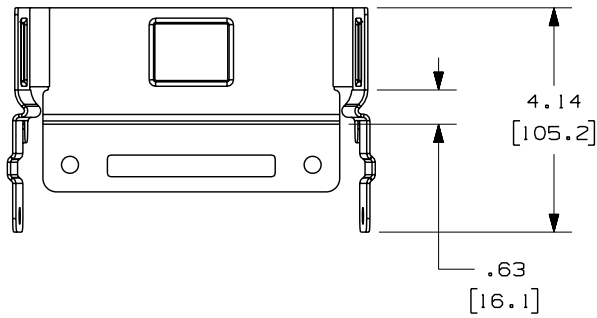
[Panduit](#)
[FRTEL6](#)

For any questions, you can email us directly:

sales@integrated-circuit.com

THIS COPY IS PROVIDED ON A RESTRICTED BASIS AND IS NOT TO BE USED IN ANY WAY DETRIMENTAL TO THE INTERESTS OF PANDUIT CORP.

PANDUIT PART NUMBER	WEIGHT
FRTEL6	0.70 LB/EACH (319g/EACH)



NOTES:

- SEE CURRENT CATALOG FOR ADDITIONAL PART SUFFIXES TO INDICATE PACKAGE QUANTITY.
- THE FIBERRUNNER 6x4 TO TELECT 6x4 WAVETRAX CABLE MANAGEMENT SYSTEM ADAPTER ATTACHES TO THE TELECT 6x4 WAVETRAX SOLID CHANNEL USING THE SUPPLIED HARDWARE LISTED BELOW. THE ADAPTER ACCEPTS THE FIBERRUNNER 6x4 QUIKLOCK COUPLER WHICH THEN ALLOWS FOR THE ATTACHMENT OF THE FIBERRUNNER 6x4 CABLE ROUTING SYSTEM.
- THE FIBERRUNNER 6x4 TO TELECT 6x4 WAVETRAX CABLE MANAGEMENT SYSTEM ADAPTER INCLUDES:
ONE (1) ADAPTER,
FOUR (4) 1/4-20x5/8" NYLON COMBINATION BINDING HEAD MACHINE SCREWS,
FOUR (4) 1/4-20 NYLON DECO WING NUTS.
- FINISH COLOR: BLACK
- DIMENSIONS IN PARENTHESES ARE IN METRIC.

ENG. REF.: D39163BF_DC_FRTEL6_01.prt

CAD FILENAME/LAYERS		FRTEL6.pdf	
PANDUIT CORP TINLEY PARK, ILLINOIS			
FIBERRUNNER 6x4 TO TELECT 6x4 WAVETRAX CABLE MANAGEMENT SYSTEM ADAPTER (FRTEL6) CUSTOMER DRAWING			
UNLESS OTHERWISE SPECIFIED, DIMENSIONAL TOLERANCES ARE: (.X) ± (XXX) ± (.XX) ±.03 (.8) ANGLES ±		UNLESS OTHERWISE SPECIFIED, ALL DIMENSIONS ARE GIVEN IN INCHES, THIRD ANGLE PROJECTION.	
DRAWN BY: MSO	MAT'L: STEEL	SCALE: NONE	
DATE: 6-28-05		DRAWING NO.: 39163-07	DWG SIZE: A
CHK'D: RPA			

REV	DATE	BY	CHK	DESCRIPTION	ECN	R	CUST	SUP	GMBH
I	7-19-06	DTP	RN	A. REVISED PART WEIGHT	39163-07	RN	RN		
R	6-28-05	MSO	RPA	RELEASED TO PRODUCTION	39163-07	RN	RN		