

Excellent Integrated System Limited

Stocking Distributor

Click to view price, real time Inventory, Delivery & Lifecycle Information:

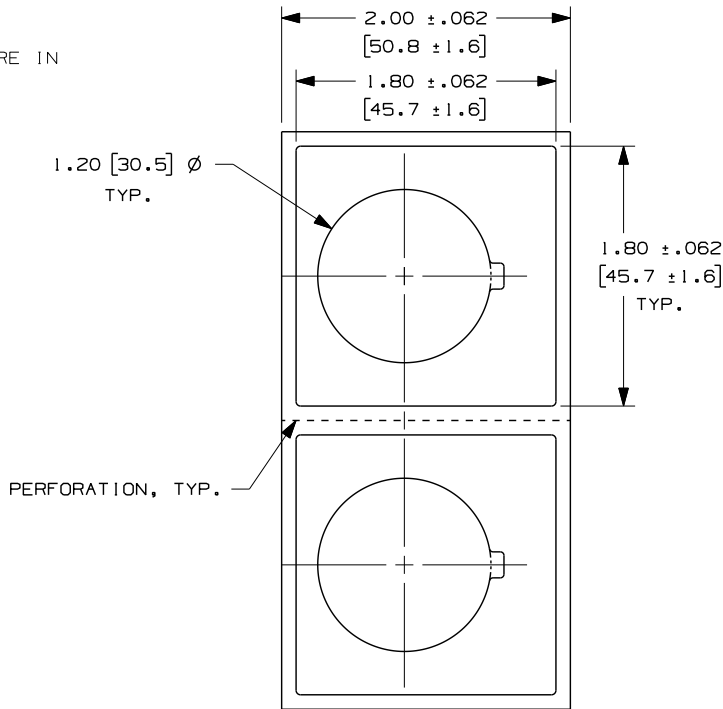
[Panduit](#)
[C180X180YK-30](#)

For any questions, you can email us directly:
sales@integrated-circuit.com



THIS COPY IS PROVIDED ON A RESTRICTED BASIS AND IS NOT TO BE USED IN ANY WAY DETRIMENTAL TO THE INTERESTS OF PANDUIT CORP.

NOTES:
 1. MILLIMETER ARE IN
 [].



PANDUIT PART NO.	PKG. QTY.
C180X180YK-30	500

CAD FILENAME/LAYERS 100491CC_DS_C10759/00A

REV	DATE	BY	CHK	DESCRIPTION	ECN	R	CUST	SUP
0	4/2/09	RVU		DRAWING RELEASE.	5646	R		

CORP. TINLEY PARK, ILLINOIS CUSTOMER DRAWING RAISED PANEL OVERLAMINATE C180X180YK-30	
UNLESS OTHERWISE SPECIFIED, DIMENSIONAL TOLERANCES ARE: (.X) ± .12 (.XXX) ± .025 (.XX) ± .062 ANGLES ±	UNLESS OTHERWISE SPECIFIED, ALL DIMENSIONS ARE GIVEN IN INCHES, THIRD ANGLE PROJECTION.
DRAWN BY RVU DATE 1/19/09 CHK'D	MAT'L: GMY OVERLAM SCALE NTS DRAWING NO. C10759 DWG SIZE A