

## Excellent Integrated System Limited

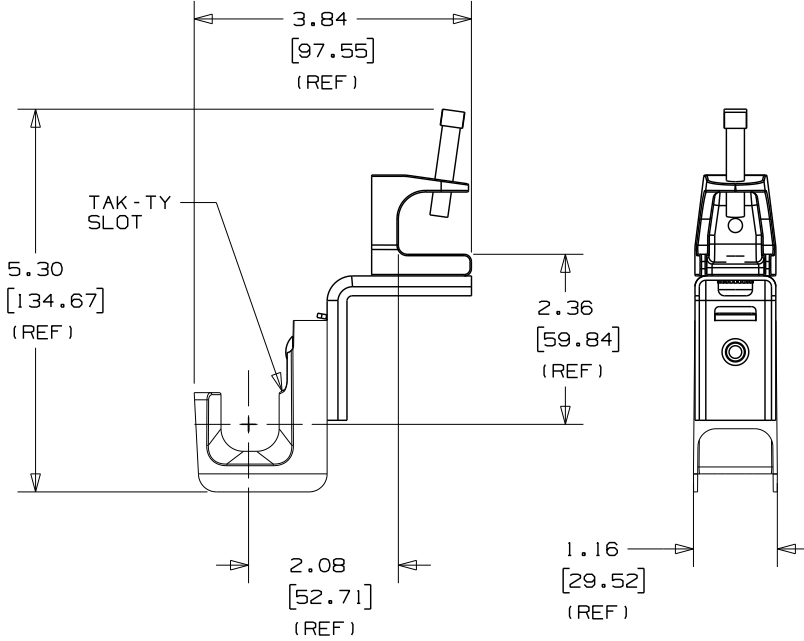
Stocking Distributor

Click to view price, real time Inventory, Delivery & Lifecycle Information:

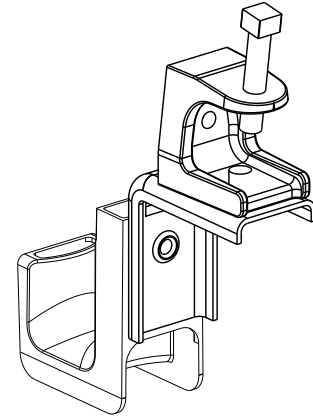
[Panduit](#)  
[JP75SBC87R-L20](#)

For any questions, you can email us directly:  
[sales@integrated-circuit.com](mailto:sales@integrated-circuit.com)

THIS COPY IS PROVIDED ON A RESTRICTED BASIS AND IS NOT TO BE USED IN ANY WAY DETRIMENTAL TO THE INTERESTS OF PANDUIT CORP.



PANDUIT PART NO.	FLANGE THICKNESS	WEIGHT lbs 10 (g) pcs
JP75SBC87R- ---	UP TO 3/4" (19.05mm) THICK	3.75 (1700.98)



NOTES:

- SEE CURRENT PRICE SHEET FOR PART NUMBER SUFFIX DESIGNATION FOR PACKAGE SIZE AND PRODUCT COLOR.
- HOOK MATERIAL: NYLON 6/6  
 ANGLE BRACKET MATERIAL: PRE-GALVANIZED STEEL  
 CLAMP MATERIAL: MALLEABLE IRON  
 RIVET MATERIAL: ALUMINUM  
 LOCK WASHER: ZINC PLATED STEEL  
 BOLT: ZINC PLATED STEEL
- PRODUCT IS DESIGNED TO SUPPORT A MAXIMUM OF 3/4" (19.05) DIAMETER BUNDLE. MAXIMUM RECOMMENDED STATIC LOAD: 15 lbs.
- PRODUCT INCORPORATES FEATURES ALLOWING USER TO RETAIN CABLE BUNDLES IN J-PRO J-HOOK WITH TAK-TY CABLE TIES UP TO 3/4" WIDE.
- PRODUCT MARKINGS:  
 cULus logo and statement:  
 "SUITABLE FOR USE IN AIR HANDLING SPACES IN ACCORDANCE WITH SECTION 300-22 (C) & (D) OF THE NATIONAL ELECTRIC CODE."  
 ULC logo and statement:  
 "IN ACCORDANCE WITH CAN/ULC S-102.2 IN SINGLE UNITS OR PAIRS, 4 ft (1220mm) MIN. SPACING, FSR=0, SDC=20."

DIMENSIONS IN BRACKETS ARE METRIC [ mm ]	
CAD FILENAME/LAYERS 10K016CK_DC_GB3043BP/01A	
PANDUIT CORP. TINLEY PARK, ILLINOIS	
J-PRO J-HOOK WITH 360° ROTATION SCREW ON BEAM CLAMP (JP75SBC87R- ---)	
UNLESS OTHERWISE SPECIFIED, DIMENSIONAL TOLERANCES ARE: (.X) ±0.05 (1.3) (.XXX) ±0.010 (0.25) (.XX) ±0.02 (0.5) ANGLES ± 5°	UNLESS OTHERWISE SPECIFIED, ALL DIMENSIONS ARE GIVEN IN INCHES, THIRD ANGLE PROJECTION.
DRAWN BY JAD DATE 1/5/06 CHK'D KLN	MAT'L: SEE NOTE 2 SCALE NONE DRAWING NO. GB3043BP DBG SIZE A

REV	DATE	BY	CHK	DESCRIPTION	ECN	R	CUST	SUP	QC
01A	11/9/10	ARHA	DJW	CHANGED FILENAME FORMAT	GB3043BP	01A	KLN		
1	2/20/06	JAD		FLANGE THICKNESS WAS 7/8"	GB3043BP	1			