

## Excellent Integrated System Limited

Stocking Distributor

Click to view price, real time Inventory, Delivery & Lifecycle Information:

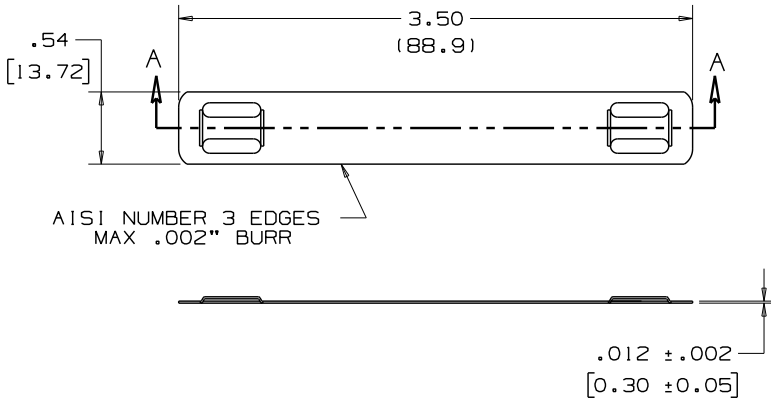
[Panduit](#)  
[MMP350HW54-MAL](#)

For any questions, you can email us directly:  
[sales@integrated-circuit.com](mailto:sales@integrated-circuit.com)



THIS COPY IS PROVIDED ON A RESTRICTED BASIS AND IS NOT TO BE USED IN ANY WAY DETRIMENTAL TO THE INTERESTS OF PANDUIT CORP.

PART NO.	MATERIAL	PACKAGE QUANTITY
MMP350HW54-MAL	5005 ALUMINUM	1000



SECTION "A-A"

NOTES:

- BRACKETS [ ] DENOTES DIMENSIONS IN MILLIMETERS
- CUSTOM PERMANENT MARKING AVAILABLE. CONSULT FACTORY.
- TOLERANCE (UNLESS OTHERWISE SPECIFIED)  
 .xxx = ±.020 (.51)  
 .xx = ±.03 (.8)

S41664BS\_DC/00A

					<b>PANDUIT</b> CORP. TINLEY PARK, ILLINOIS		
					1/2" ALUMINUM MARKER PLATE-HEAVY CUSTOMER DRAWING		
					UNLESS OTHERWISE SPECIFIED, DIMENSIONAL TOLERANCES ARE: (.X) ± .XXX ± (.XX) ± .001 ±		UNLESS OTHERWISE SPECIFIED, ALL DIMENSIONS ARE GIVEN IN INCHES, THIRD ANGLE PROJECTION
					DRAWN BY JAMB	MAT'L	SCALE FULL & NOTED
OOA	1/10	EJD	EJD	DRAWING RELEASED	DATE 1/26/09	ALUMINUM	DRAWING NO. S41664BS_DC
REV	DATE	BY	CHK	DESCRIPTION	CHK'D EJD		DWG. A