

Excellent Integrated System Limited

Stocking Distributor

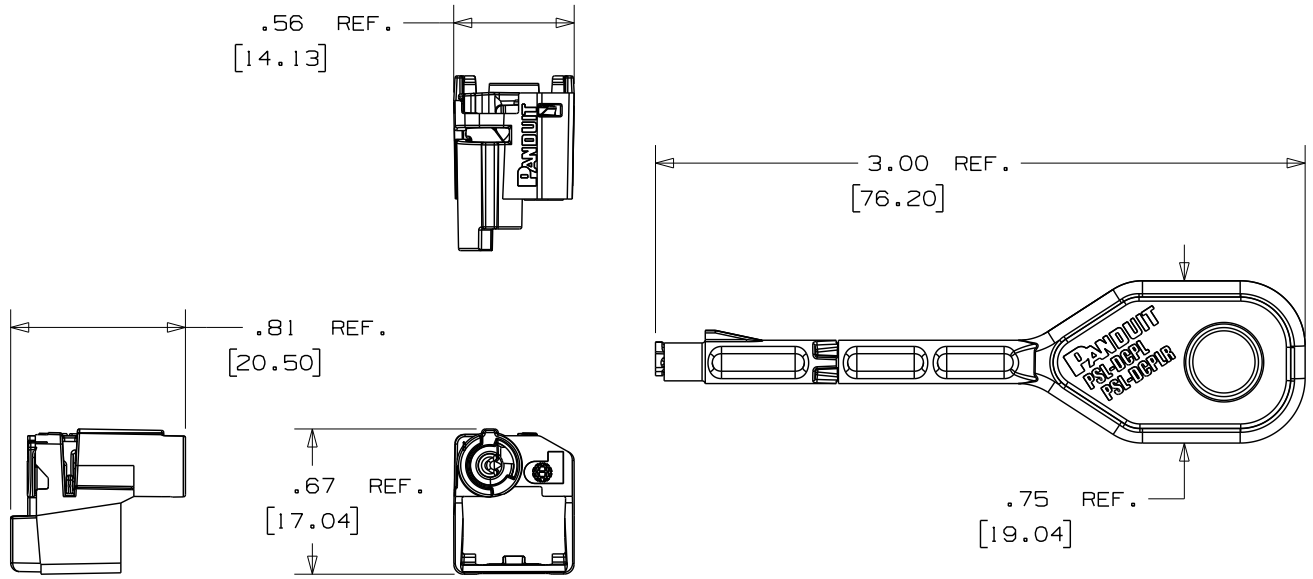
Click to view price, real time Inventory, Delivery & Lifecycle Information:

[Panduit](#)
[PSL-DCPLS](#)

For any questions, you can email us directly:

sales@integrated-circuit.com

THIS COPY IS PROVIDED ON A RESTRICTED BASIS AND IS NOT TO BE USED IN ANY WAY DETRIMENTAL TO THE INTERESTS OF PANDUIT CORP.



KEY

PSL - DCPLS

CAD FILENAME/LAYERS 100913AB_DC_C10774/00

REV	DATE	BY	CHK	DESCRIPTION	ECN	R	CUST	SUP
I	03/31/09	MROB		DRAWING RELEASED	5722	I		

 CORP. TINLEY PARK, ILLINOIS	
PSL - DCPLS	
UNLESS OTHERWISE SPECIFIED, DIMENSIONAL TOLERANCES ARE: (.X) ± .05 (.XXX) ± .010 (.XX) ± .02 ANGLES ± 2°	UNLESS OTHERWISE SPECIFIED, ALL DIMENSIONS ARE GIVEN IN INCHES, THIRD ANGLE PROJECTION.
DRAWN BY MROB DATE 03/31/09 CHK'D	MAT'L: LOCK-IN POLYCARBONATE KEY 10% GF NYLON
SCALE 1.5:1	DRAWING NO. C10774 DWG SIZE A