

## Excellent Integrated System Limited

Stocking Distributor

Click to view price, real time Inventory, Delivery & Lifecycle Information:

[Panduit](#)  
[TGRAEI](#)

For any questions, you can email us directly:

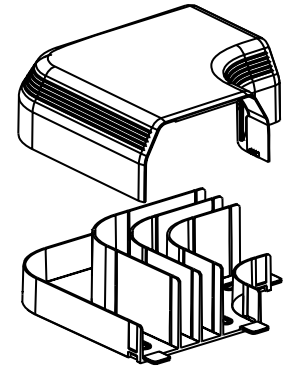
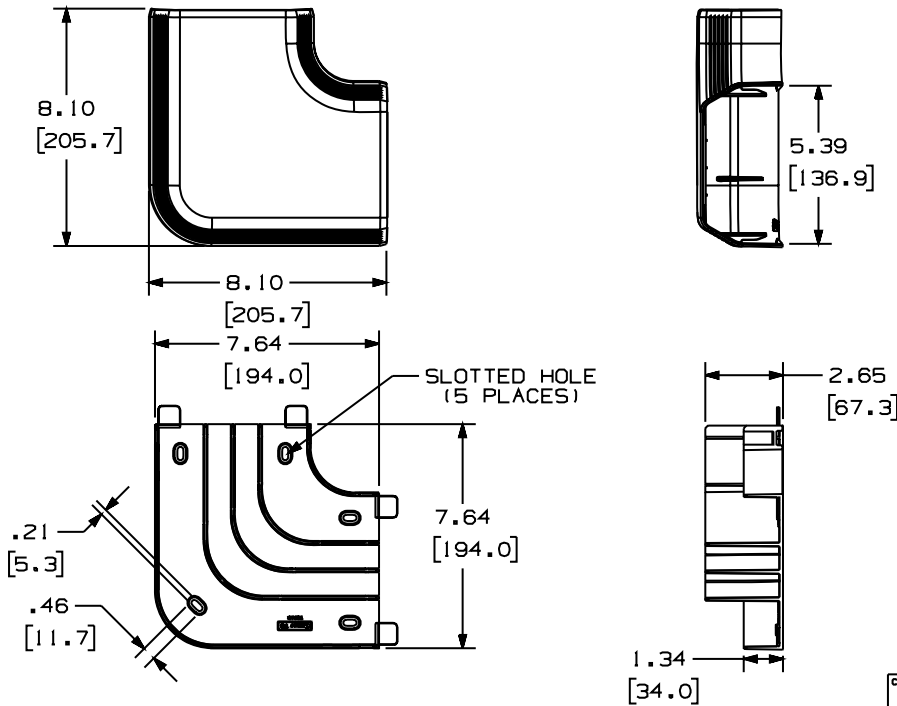
[sales@integrated-circuit.com](mailto:sales@integrated-circuit.com)

THIS COPY IS PROVIDED ON A RESTRICTED BASIS AND IS NOT TO BE USED IN ANY WAY DETRIMENTAL TO THE INTERESTS OF PANDUIT CORP.

PANDUIT P/N	WEIGHT
TGRA	12.96 LB/10 PCS. (5880g/10 PCS.)

NOTES:

1. SEE CURRENT CATALOG FOR ADDITIONAL PART SUFFIXES TO INDICATE COLOR AND OR PACKAGE QUANTITY.
2. THIS PRODUCT IS INTENDED TO BE USED TO JOIN SECTIONS OF TG RACEWAY TO MAKE 90° (RIGHT ANGLES).
3. DIMENSIONS IN PARENTHESIS ARE IN METRIC.



CAD FILENAME/LAYERS D37270BB\_DC\_TGRA\_00A.prt

PANDUIT CORP. TINLEY PARK, ILLINOIS

TG RIGHT ANGLE (TGRA) CUSTOMER DRAWING

UNLESS OTHERWISE SPECIFIED, DIMENSIONAL TOLERANCES ARE:  
 (.X) ± (.XXX) ± .01(.3)  
 (.XX) ± .03(.8) ANGLES ±

UNLESS OTHERWISE SPECIFIED, ALL DIMENSIONS ARE GIVEN IN INCHES, THIRD ANGLE PROJECTION.

DRAWN BY MSO

MAT'L:

SCALE

NONE

DATE 4-5-00

PVC

DRAWING NO.

37270-53

CHECKED BY CAZ

DWG

SIZE

A

REV	DATE	BY	CHK	DESCRIPTION	ECN	CHK	CUST	SUP
R	4-5-00	MSO	CAZ	RELEASED TO PRODUCTION.	37270-53	HIW	HIW	