

Excellent Integrated System Limited

Stocking Distributor

Click to view price, real time Inventory, Delivery & Lifecycle Information:

[Panduit](#)

[MSG-1.3-M](#)

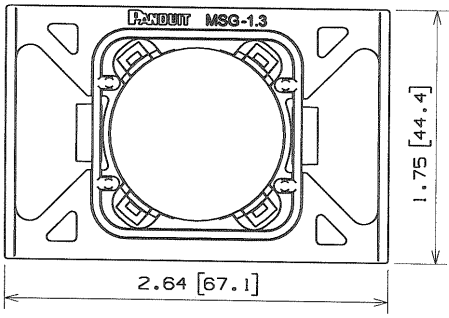
For any questions, you can email us directly:

sales@integrated-circuit.com

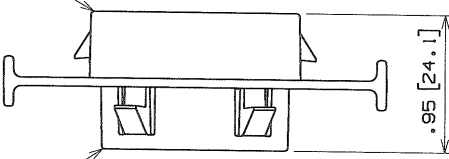
THIS COPY IS PROVIDED ON A RESTRICTED BASIS AND IS NOT TO BE USED IN ANY WAY DETRIMENTAL TO THE INTERESTS OF PANDUIT CORP.

NOTES:

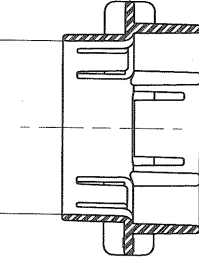
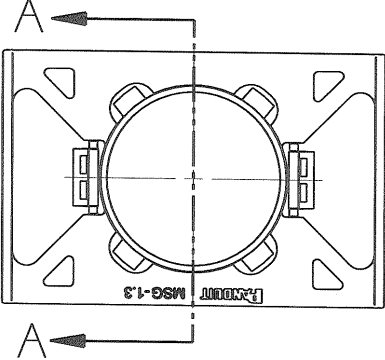
1. SEE CURRENT PRICE SHEET FOR PART NUMBER SUFFIX DESIGNATION FOR PACKAGE SIZE.
2. PART CAN BE INSTALLED INTO "ROUND" OR "RECTANGULAR" PUNCHOUTS IN STEEL STUDS WITH MATERIAL THICKNESS UP TO 0.10".
3. PART SUITABLE FOR USE IN HOLES PUNCHED WITH PANDUIT PART #MSPT-1.3.



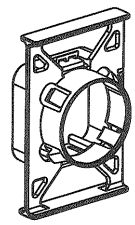
RECTANGULAR SIDE



ROUND SIDE

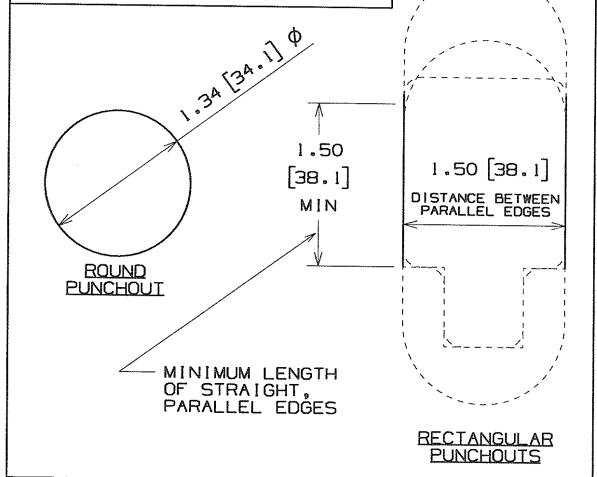


SECTION A - A



ISOMETRIC VIEW
SCALE 1:2

APPLICABLE PUNCHOUT SHAPES (SCALE 3:4)



DIMENSIONS IN BRACKETS ARE METRIC [mm]

CAD FILENAME/LAYERS G03677BM_DC_GB3677BM/02A

PANDUIT CORP. TINLEY PARK, ILLINOIS

MSG-1.3
METAL STUD GROMMET

UNLESS OTHERWISE SPECIFIED, DIMENSIONAL TOLERANCES ARE:
 (.X) ±0.05 (1.3) (.XXX) ±0.010 (0.25)
 (.XX) ±0.02 (0.5) ANGLES ±5°

UNLESS OTHERWISE SPECIFIED, ALL DIMENSIONS ARE GIVEN IN INCHES, THIRD ANGLE PROJECTION.

DRAWN BY ARHA
 DATE 12-07-09
 CHK'D KLN

MAT'L: POLYPROPYLENE
(YELLOW)

SCALE 1:1
 DRAWING NO. GB3677BM
 DWG A
 512F

REV	DATE	BY	CHK	DESCRIPTION	ECN	R	CUST	SUP
O2A	12/07/09	ARHA	AKA	INITIAL RELEASE	GB3677BM	O2A	KLN	