



Distributor of Hammond Manufacturing: Excellent Integrated System Limited

Datasheet of 1451-26 - COVER FOR CHASSIS 16X8X5.2" GRY

Contact us: sales@integrated-circuit.com Website: www.integrated-circuit.com

Excellent Integrated System Limited

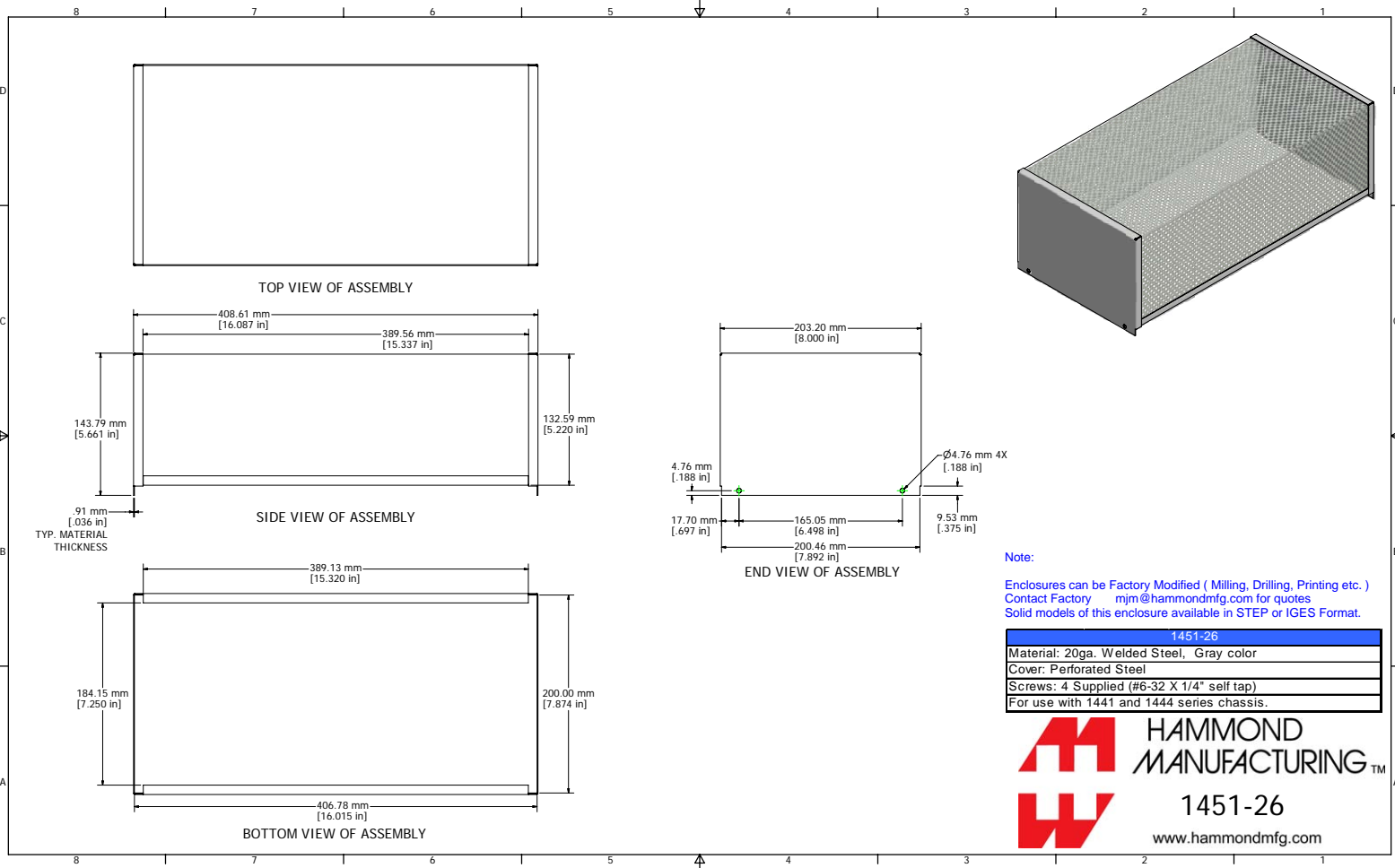
Stocking Distributor

Click to view price, real time Inventory, Delivery & Lifecycle Information:

[Hammond Manufacturing](#)
[1451-26](#)

For any questions, you can email us directly:

sales@integrated-circuit.com



Note:

Enclosures can be Factory Modified (Milling, Drilling, Printing etc.)
Contact Factory mjm@hammondmfg.com for quotes
Solid models of this enclosure available in STEP or IGES Format.

1451-26
Material: 20ga. Welded Steel, Gray color
Cover: Perforated Steel
Screws: 4 Supplied (#6-32 X 1/4" self tap)
For use with 1441 and 1444 series chassis.



**HAMMOND
MANUFACTURING™**

1451-26
www.hammondmfg.com