

Excellent Integrated System Limited

Stocking Distributor

Click to view price, real time Inventory, Delivery & Lifecycle Information:

[Hammond Manufacturing](#)
[1454F](#)

For any questions, you can email us directly:

sales@integrated-circuit.com

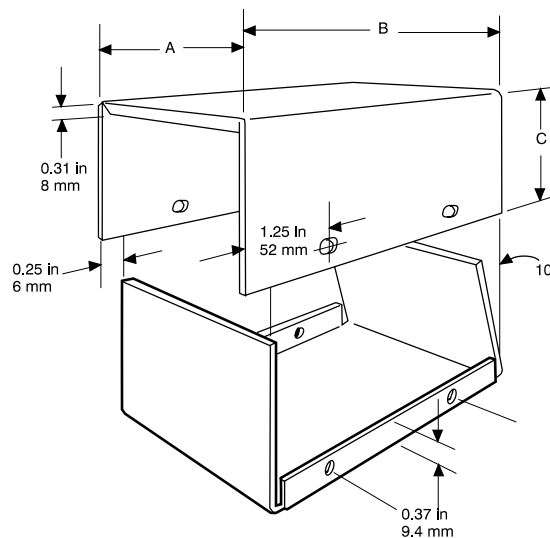
Instrument Case (1454 Series)



KEY FEATURES

- Made of strong, economical 20 gauge steel.
- Contempra grey panels with textured black covers (powder paint).
- Choice of sloping or vertical front panels by reversing case.
- 6-32 Philips nickel plated screws and self-adhesive rubber feet included.
- Replacement screws **1421J6** (Pkg. of 6, 6-32 Philips head screws).

Part Number	Units	Dimensions		
		A	B	C
1454C	inch mm	4 102	2.5 64	2 51
1454J	inch mm	4 102	3 76	4 102
1454M	inch mm	4 102	3 76	6 152
1454E	inch mm	4 102	5 127	2 51
1454F	inch mm	4 102	6 152	3 76
1454R	inch mm	5 127	5 127	7.5 191
1454L	inch mm	5 127	6 152	4 102
1454H	inch mm	5 127	7.5 191	2.5 64
1454D	inch mm	5.875 149	4 102	2.125 54
1454DD	inch mm	5.875 149	5.187 132	2.75 70
1454G	inch mm	6 152	2.5 64	2 51
1454K	inch mm	8 203	3.5 89	2.5 64
1454N	inch mm	8 203	6 203	3 76
1454P	inch mm	10 254	5 127	3.5 89
1454S	inch mm	10 254	6 203	3 76
1454W	inch mm	12 305	8 203	3 76



Metal

Notes: - Models with "B" dimension less than 5" (127 mm) have only one hole per side, centered in "B".



CANADA
 Guelph, Ontario (519) 822-2960
 St. Laurent, Quebec (514) 343-9010
USA
 Cheektowaga, NY (716) 651-0086

www.hammondmfg.com

EUROPE
 Basingstoke, UK +44 1256 812812

AUSTRALASIA
 Queenstown, SA, Australia +61 8 8240 2244