

## Excellent Integrated System Limited

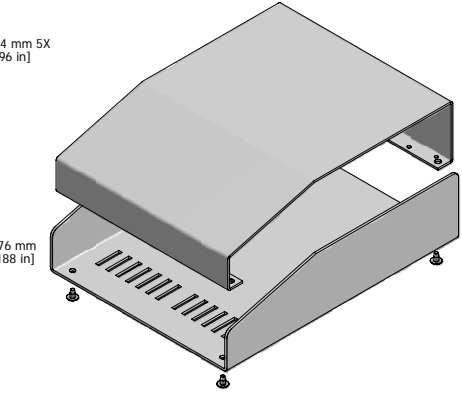
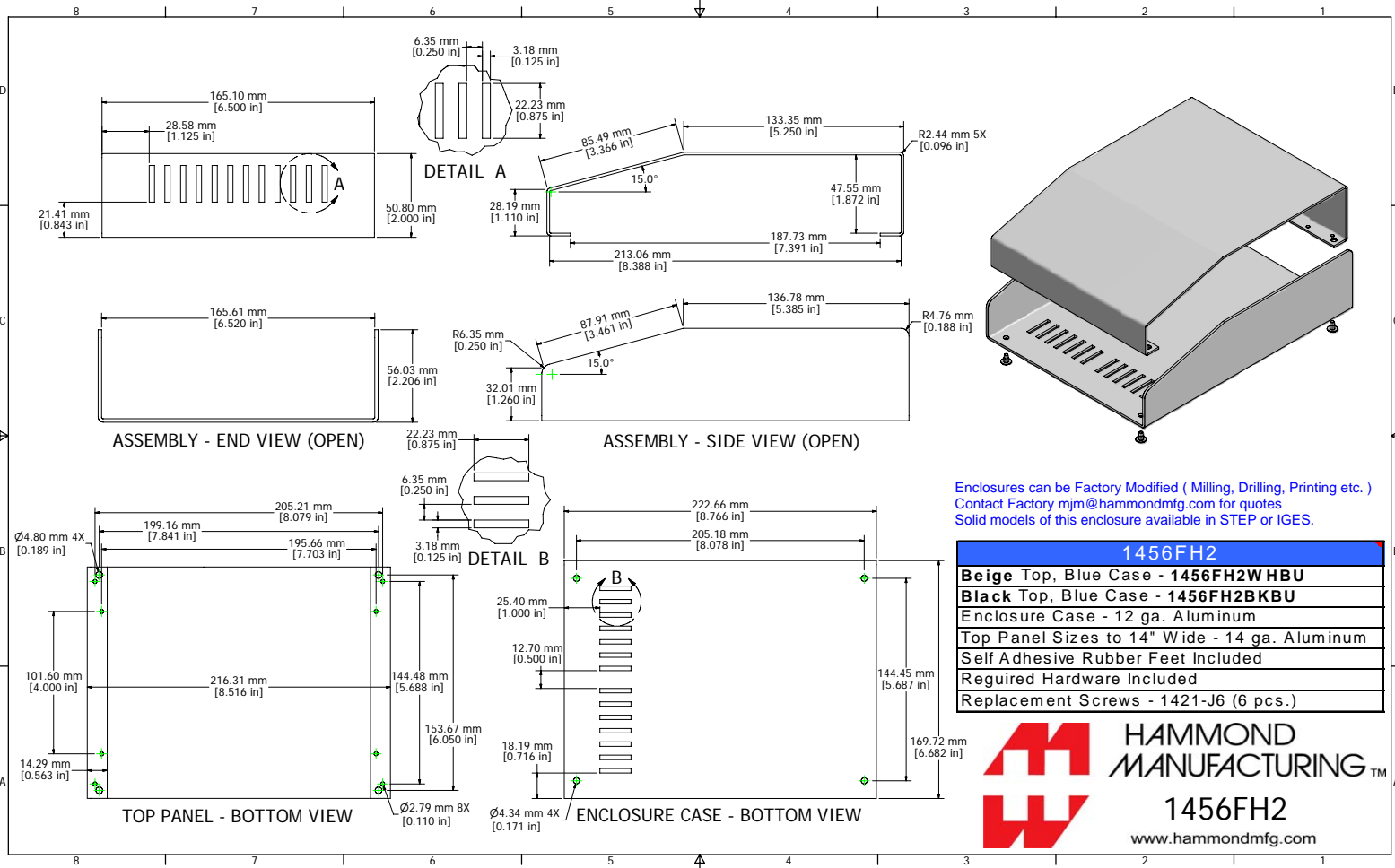
Stocking Distributor

Click to view price, real time Inventory, Delivery & Lifecycle Information:

[Hammond Manufacturing](#)  
[1456FH2BKBU](#)

For any questions, you can email us directly:

[sales@integrated-circuit.com](mailto:sales@integrated-circuit.com)



Enclosures can be Factory Modified ( Milling, Drilling, Printing etc. )  
Contact Factory [mjm@hammondmfg.com](mailto:mjm@hammondmfg.com) for quotes  
Solid models of this enclosure available in STEP or IGES.

|   |
|---|
| <b>1456FH2</b>                                |
| <b>Beige Top, Blue Case - 1456FH2W HBU</b>    |
| <b>Black Top, Blue Case - 1456FH2BKBU</b>     |
| Enclosure Case - 12 ga. Aluminum              |
| Top Panel Sizes to 14" Wide - 14 ga. Aluminum |
| Self Adhesive Rubber Feet Included            |
| Reguired Hardware Included                    |
| Replacement Screws - 1421-J6 (6 pcs.)         |



**HAMMOND MANUFACTURING™**

**1456FH2**

[www.hammondmfg.com](http://www.hammondmfg.com)