

## **Excellent Integrated System Limited**

Stocking Distributor

Click to view price, real time Inventory, Delivery & Lifecycle Information:

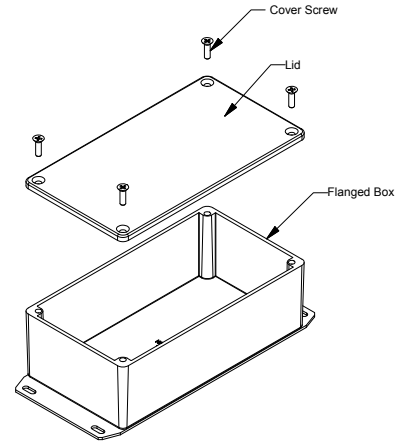
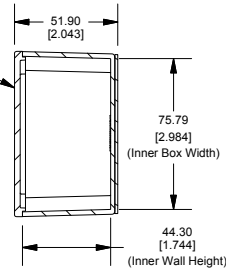
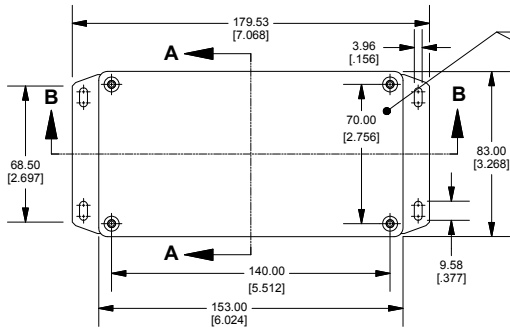
[Hammond Manufacturing](#)  
[1590P1F](#)

For any questions, you can email us directly:

[sales@integrated-circuit.com](mailto:sales@integrated-circuit.com)

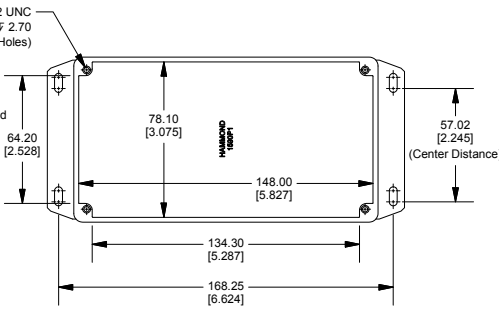
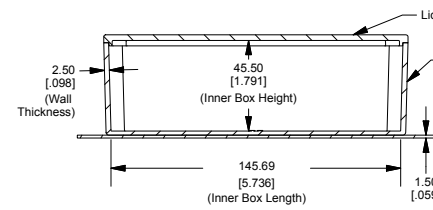
**Top View of Assembly**

**SECTION A-A  
End View of Assembly**



**SECTION B-B  
Side View of Assembly**

**Top View Looking Inside Box**



Enclosures can be Factory Modified ( Milling, Drilling, Printing etc.)  
Contact Factory [mjm@hammondmfg.com](mailto:mjm@hammondmfg.com) for quotes  
Solid models of this enclosure available in STEP or IGES.

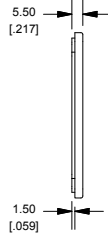
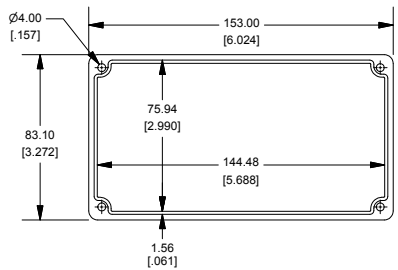
**NOTE**

Purchased assembly includes box, lid and 4 cover screws.  
Box and lid are made from Diecast Aluminum Alloy.  
Silicone Gasket supplied with liquid resistant enclosure.  
Bottom Flange is Welded.

**PART NUMBERS**

1590P1F Enclosure	
Natural Finish Enclosure	1590P1F
Black Textured Enclosure	1590P1FBK
1590P1F Liquid Resistant Enclosure (Silicone Gasket)	
Natural Finish Enclosure	1590WP1F
Black Textured Enclosure	1590WP1FBK
ACCESSORIES	
Recommended Torque: 75 ozf.in / 55 cN.m	
Liquid Resistant Cover Screws	
Stainless Steel Cover Screws (Pkg 100) [6-32 x 1/2" With O-Ring]	1590WMS100
Black Stainless Steel Cover Screws (Pkg 100) [6-32 x 1/2" With O-Ring]	1590WMS100BK
Standard Cover Screws	
Plated Cover Screws (Pkg 100) [6-32 x 1/2"]	1590MS100
Black Cover Screws (Pkg 100) [6-32 x 1/2"]	1590MS100BK

**Lid**



Dimensions:  
mm  
[inches]

**HAMMOND  
MANUFACTURING™**

**1590P1F**

[www.hammondmfg.com](http://www.hammondmfg.com)