

Excellent Integrated System Limited

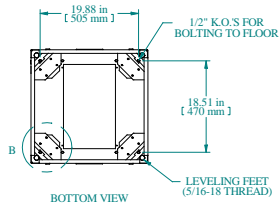
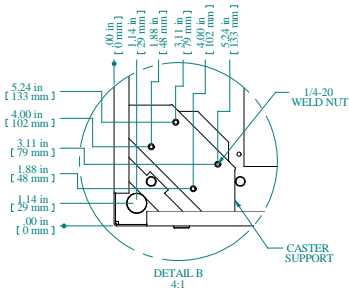
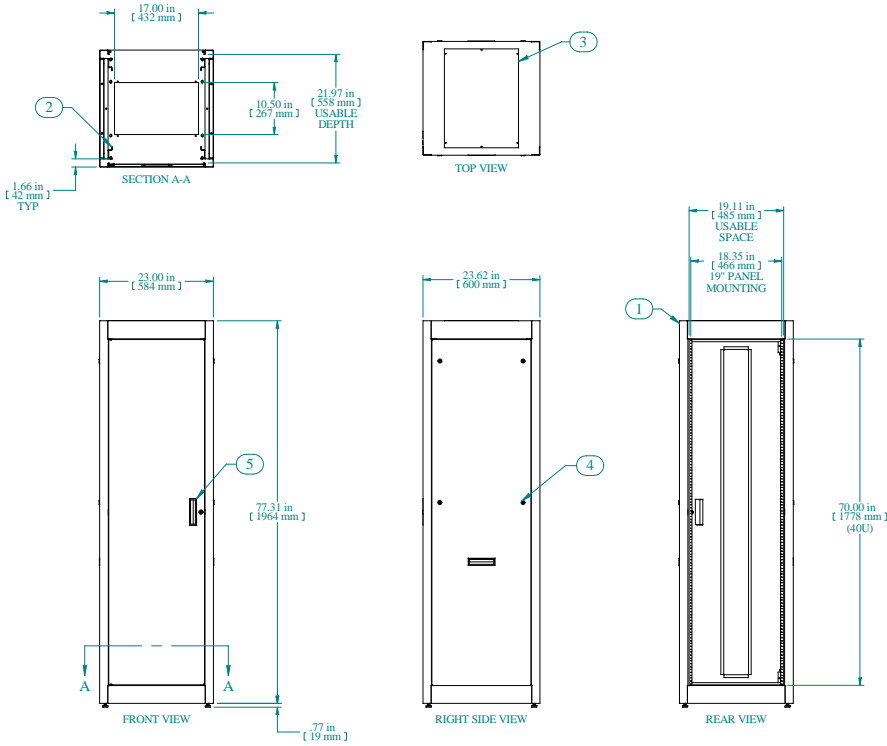
Stocking Distributor

Click to view price, real time Inventory, Delivery & Lifecycle Information:

[Hammond Manufacturing](#)
[C2RR197023BK1](#)

For any questions, you can email us directly:

sales@integrated-circuit.com



Item Number	Title	Quantity
1	C2 CABINET FRAME	1
2	COMBINATION RAILS TAPPED (PAIR)	2
3	C2 - SOLID TOP COVER PLATE	1
4	C2 - SIDE PANELS (PAIR)	1
5	C2 - SOLID FLUSH DOOR	1
PART NUMBERS		
C2RR197023BK1	PAINTED BLACK TEXTURED	
C2RR197023CG1	PAINTED CONT. GRAY TEXTURED	
C2RR197023LG1	PAINTED RAL7035 TEXTURED	
NOTES		
Welded Assembly See Hammond Website for Additional Accessories		

Data subject to change without notice. Isometric drawing not to scale.

HAMMOND MANUFACTURING™
 www.hammondmfg.com
 PART NO. C2RR197023