

Excellent Integrated System Limited

Stocking Distributor

Click to view price, real time Inventory, Delivery & Lifecycle Information:

[Hammond Manufacturing](#)
[R110-083-000](#)

For any questions, you can email us directly:

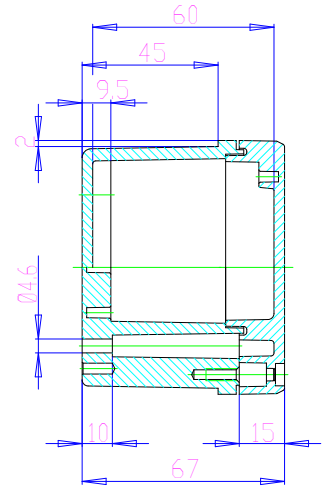
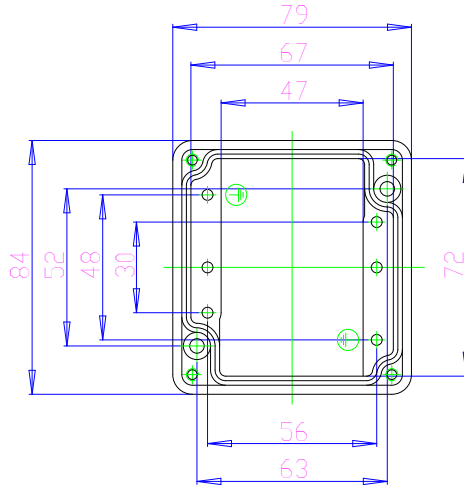
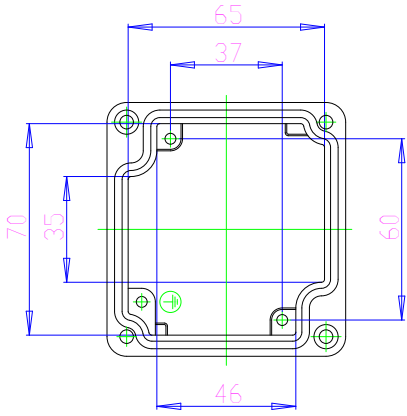
sales@integrated-circuit.com

NOTES

MATERIAL-ALUMINUM DIE-CAST: G AL SI 12 / DIN 1775
 LID SCREWS-CAPTIVE STAINLESS STEEL
 EMI/RFI GASKET IS NOT REQUIRED AS LID TO BOX CONNECTION IS INSIDE THE GASKET SEAL.
 DEGREE OF PROTECTION NEMA 4X, IP66
 NEOPRENE OIL AND PETROL RESISTANT-THERMOPLASTIC GASKET (-40 C TO +120 C)
 TEXTURED POLYESTER POWDER COAT, GREY RAL 7032

LID

BOTTOM



For the best fit print on legal size paper

THIS DRAWING IS PROPRIETARY INFORMATION OF HAMMOND MFG CO. LTD. NOT TO BE USED WITHOUT EXPRESSED WRITTEN PERMISSION OF HAMMOND MFG CO. LTD.

Rev	ECN	Description	Date	By
Δ	N/A	REBASE	03.01.03	MM

Des	M. MERCER	HAMMOND MANUFACTURING CO. LTD. Electronics Group, Watlington, Oxon - Chesham, UK
Base	03.01.03	
Doc	...	ROLEC conFORM SERIES ENCLOSURES
Matl	DI-CAST ALUMINUM	
Part#	R110-081-000	Page EK 081