

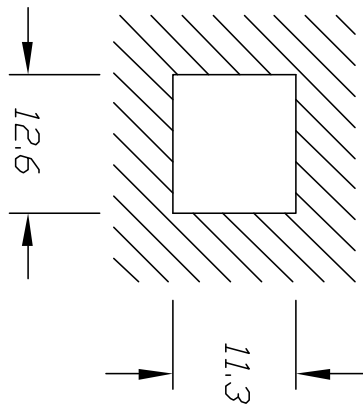
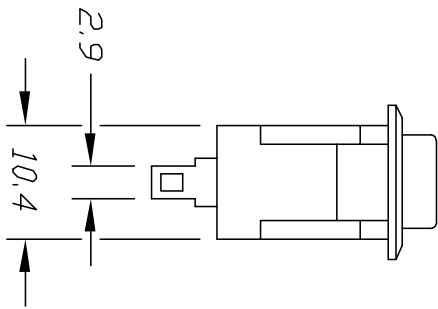
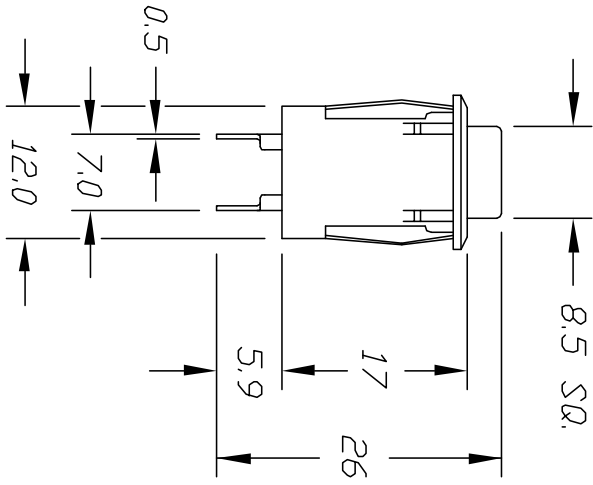
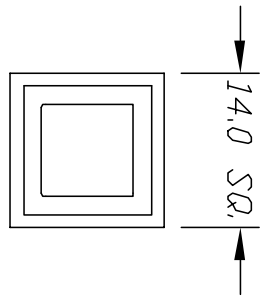
Excellent Integrated System Limited

Stocking Distributor

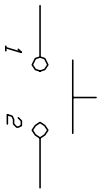
Click to view price, real time Inventory, Delivery & Lifecycle Information:

[E-Switch](#)
[PS1057ABLK](#)

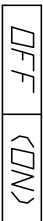
For any questions, you can email us directly:
sales@integrated-circuit.com



PANEL DIMENSIONS



CONTACT CONFIGURATION



NOTES:

1. ALL DIMENSIONS IN MM
2. TERM. NOS. FOR REF ONLY

REV.	DESCRIPTION	DATE	CHKD
THE INFORMATION CONTAINED IN THIS DOCUMENT IS PROPRIETARY TO E-SWITCH AND IS NOT TO BE COPIED OR TRANSFERRED			

TOLERANCES	
0.0	±0.4
0.00	±0.25

TITLE			
SCALE	DATE	DR	DWG
1.5:1	10/24/94	TW	F010570
PS1057A (BUTTON: BLACK)			

E-SWITCH