



Distributor of Hirose Electric Co Ltd: Excellent Integrated System Limited
Datasheet of 3260B-12S3(01) - Connector Receptacle 12 Position 0.031" (0.80mm) Gold
Surface Mount, Right Angle

Contact us: sales@integrated-circuit.com Website: www.integrated-circuit.com

Excellent Integrated System Limited

Stocking Distributor

Click to view price, real time Inventory, Delivery & Lifecycle Information:

[Hirose Electric Co Ltd](#)
[3260B-12S3\(01\)](#)

For any questions, you can email us directly:

sales@integrated-circuit.com

COUNT	DESCRIPTION OF REVISIONS	BY	CHKD	DATE	COUNT	DESCRIPTION OF REVISIONS	BY	CHKD	DATE	
△					△					
△					△					
APPLICABLE STANDARD										
RATING	OPERATING TEMPERATURE RANGE	-30 °C TO 70 °C			STORAGE TEMPERATURE RANGE	- °C TO - °C				
	VOLTAGE	AC 125 V			OPERATING HUMIDITY RANGE	- % TO - %				
	CURRENT	0.5 A			APPLICABLE CABLE	-				
SPECIFICATIONS										
ITEM	TEST METHOD				REQUIREMENTS				QT	AT
CONSTRUCTION										
GENERAL EXAMINATION	VISUALLY AND BY MEASURING INSTRUMENT.				ACCORDING TO DRAWING.				○	○
MARKING	CONFIRMED VISUALLY.								○	○
ELECTRIC CHARACTERISTICS										
CONTACT RESISTANCE	100 mA (DC OR 1000 Hz).				40 mΩ MAX.				○	○
INSULATION RESISTANCE	100 V DC.				250 MΩ MIN.				○	○
VOLTAGE PROOF	300 V AC FOR 1 min.				NO FLASHOVER OR BREAKDOWN.				○	○
MECHANICAL CHARACTERISTICS										
INSERTION AND WITHDRAWAL FORCES	MEASURED BY APPLICABLE CONNECTOR.				INSERTION FORCE 20 N MAX. EXTRACTION FORCE 2 N MIN.				○	-
MECHANICAL OPERATION	10000 TIMES INSERTIONS AND EXTRACTIONS.				① CONTACT RESISTANCE: 60 mΩ MAX. ② NO DAMAGE, CRACK AND LOOSENESS, OF PARTS.				○	-
VIBRATION	FREQUENCY 10 TO 55 Hz, SINGLE AMPLITUDE 0.75 mm, AT 2 h, FOR 3 DIRECTIONS.				① NO ELECTRICAL DISCONTINUITY OF 10 μs.				○	-
SHOCK	490 m/s ² DIRECTIONS OF PULSE 11 ms AT 3 TIMES FOR 6 DIRECTIONS.				② NO DAMAGE, CRACK AND LOOSENESS, OF PARTS.				○	-
LOCKING FORCE	PULL THE CONNECTOR, CABLE AXIALLY				50 N MIN.				○	-
ENVIRONMENTAL CHARACTERISTICS										
RAPID CHANGE OF TEMPERATURE	TEMPERATURE -55 → 5~35 → 85 → 5~35 °C TIME 30 → 2~3 → 30 → 2~3 min UNDER 5 CYCLES.				NO DAMAGE, CRACK AND LOOSENESS, OF PARTS.				○	-
DAMP HEAT (STEADY STATE)	EXPOSED AT 60 °C, 90~95 %, 96 h.				① INSULATION RESISTANCE: 100 MΩ MIN. (AT DAY) ② NO DAMAGE, CRACK AND LOOSENESS, OF PARTS.				○	-
CORROSION SALT MIST	EXPOSED IN 5 % SALT WATER SPRAY FOR 48 h.				NO HEAVY CORROSION.				○	-
SOLDERING CONDITION	<p>← 2.60 ± 0.103 MAX 2.000 MIN 4.95 MAX 1.800 MIN 4.55 MAX 1.50 ± 1.00 3.203 MAX</p> <p>THERE SHALL BE NO DEFECT AT CONDITION.</p>								○	-
FOR REFERENCE ONLY Subject to change without notice										
REMARKS					DRAWN	DESIGNED	CHECKED	APPROVED	RELEASED	
Unless otherwise specified, refer to JIS C 5402.					<i>M. Shimoyama</i> 01.3.14	<i>M. Shimoyama</i> 01.3.14	<i>J. Enomoto</i> 01.3.14	<i>H. Murai</i> 01.03.14		
Note QT:Qualification Test AT:Assurance Test ○:Applicable Test										
HRS HIROSE ELECTRIC CO., LTD.				SPECIFICATION SHEET			PART NO. 3260B-12S3 (01)			
CODE NO.(OLD)			DRAWING NO. ELC4-120858-02			CODE NO. CL232-0090-4-01			1/1	

TO
Q1





NO.	DESCRIPTION OF REVISIONS	BY	CHKD	DATE	COMT	DESCRIPTION OF REVISIONS	BY	CHKD	DATE

MOUNTED CONNECTOR ON PCB
MOUNTING FACE

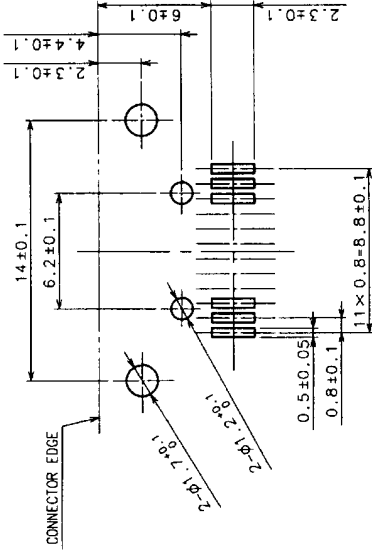
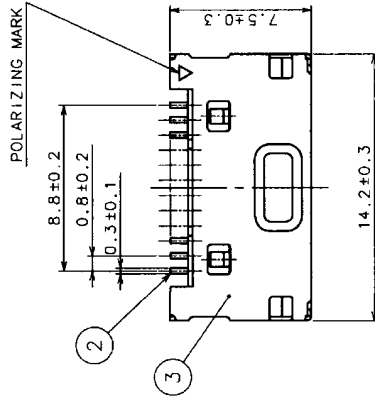
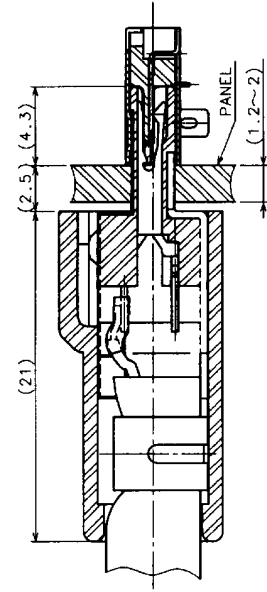
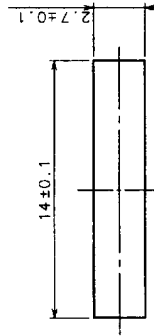


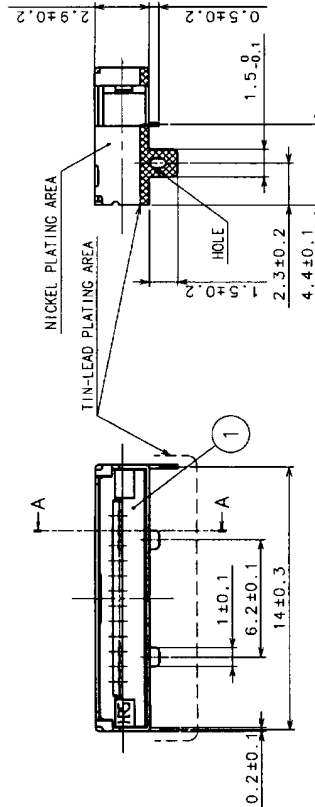
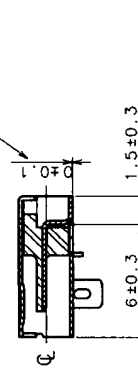
FIGURE OF MATING



PANEL CUTOUT



A-A



FOR REFERENCE ONLY
 Subject to change without notice

NO.	MATERIAL	FINISH, REMARKS	NO.	STAINLESS STEEL	SELECTIVE TIN-LEAD PLATING
1	PPS	BLACK (UL94V-0)	2	PHOSPHOR BRONZE	SELECTIVE GOLD PLATING
2	MATERIAL	FINISH, REMARKS	3	PHOSPHOR BRONZE	SELECTIVE GOLD PLATING
3	MATERIAL	FINISH, REMARKS	4	PHOSPHOR BRONZE	SELECTIVE GOLD PLATING

DESIGNED	CHECKED	APPROVED
<i>M. Shigenaga</i>	<i>N. Emami</i>	<i>K. Muro</i>
01.3.14	01.3.14	01.3.14

DRAWING NO.	3260B-12S3(01)
SCALE	EDC3-120858-02
UNITS	mm

PART NO.	3260B-12S3(01)
CODE NO.	CL232-0090-4-01

TO	
Q1	